

# CONNECTOR

## INC CUSTOMERS GUIDE



MIL-DTL 5015 Type connectors  
VG95234 Type INB connectors  
MIL-DTL 26482 Series 1 Type connectors



# MIL-DTL-26482 Series 1

## TYPE CONNECTORS



### Table of Contents

Page

Technical Specifications	34
Ordering Information	36

### Contact and Insert Arrangements

Insert Alternate & Alternate Positioning	36
Contact Arrangements	37

### MIL-C 26482 Series 1

Wall Mounting Receptacle (MS3110)	39
In - Line Receptacle (MS3111)	40
Box Mounting Receptacle (MS3112)	42
Jam Nut Receptacle (MS3114)	42
Straight Plug (MS3116)	44
Thru - Bulkhead Receptacle (MS3119)	46

### MIL-C 26482 Accessories

Protective Cover (MS3180 / MS3181)	47
------------------------------------	----

# Technical Specifications

## [ Materials & Finishes ]

Shell	Aluminum alloy / Olive drab chromate coating over cadmium or nickel plating
Insulator	Synthetic rubber
Contact	Copper alloy / Gold plating
Gasket and Grommet	Synthetic rubber

## [ Electrical Data ]

Operating Voltage  
Test Voltage

Service Rating	Test Altitude	Maximum Operating Voltage		Test Voltage	
		DC	AC (r.m.s.)	DC	AC (r.m.s.)
I	Sea Level	850	600	2,100	1,500
II	Sea Level	1,275	1,000	3,200	2,300
I	70,000 feet	-	300	535	375
II	70,000 feet	-	450	770	500

Current Rating

Contact Size	Rated Current (Amps)	Test Current (Amps)	Potential Drop (Millivolts)
20	7.5	7.5	<55
16	22.0	13.0	<50

Wire Range Size  
Insulator Resistance

24 to 16 AWG  
Min. 5000 MΩ at 77°F (+25°C)

## [ Mechanical ]

Operating Temperature  
Water Pressure

-67°F (-55°C) to +257°F (+125°C)  
2 bar differential pressure, leakage ≤16 cm<sup>3</sup>/hr

Wire Sealing Range

Contact Size	AWG Wire Size	Insulation Outside Diameter Limit			
		Min.		Max.	
		Inches	mm	Inches	mm
20	24, 22 and 20	0.060	1.52	0.083	2.11
16	20, 18 and 16	0.066	1.68	0.109	2.77

Durability  
Salt Spray  
Heat  
Chemical Resistance  
Vibration  
Shock  
Contact Style  
Number of Contact

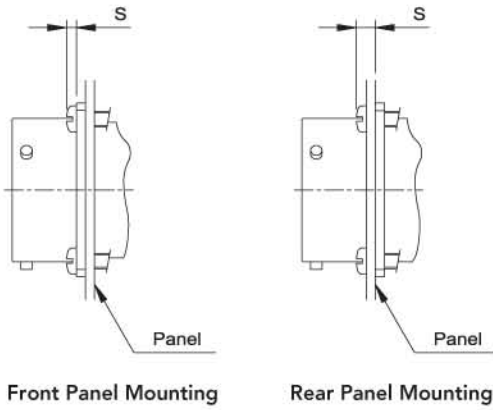
500 cycles of mating / unmating operations  
48 hours at environmental temperature. (Cadmium Plating)  
+347°F (+175°C) for 1,000 hours.  
20 hour full immersion unmated in hydraulic fluid and lubricating oil.  
10 to 2,000Hz (15g's) 10 microseconds maximum discontinuity.  
50g's, 11 ms duration, three major axes. 10 microseconds maximum discontinuity.  
Solder  
2 to 61

Contact Retention

Contact Size	Axial Load Min.	
	Newtons	Lbs.
20	66.7	15
16	111.2	25

## Technical Specifications

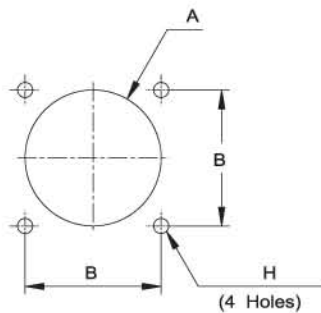
### [ Panel Mounting Data ]



#### Max. Panel & Screw Head

Shell Size	MS3110	MS3112	MS3119
8	2.21	2.21	5.54
10	2.21	2.21	5.54
12	2.21	2.21	5.54
14	2.21	2.21	5.54
16	2.21	2.21	5.54
18	2.21	2.21	5.54
20	5.38	5.38	8.74
22	5.38	5.38	8.74
24	5.38	5.38	7.90

### [ Panel Cutout Dimensions ]

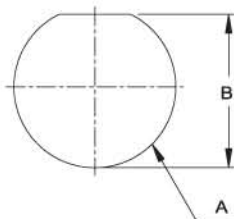


#### Box & Wall Mounting Receptacle

Shell Size	A dia. +0.25 / - 0.00	B(TP)	H dia. ±0.13
8	15.70	15.09	3.18
10	18.67	18.26	3.18
12	21.82	20.26	3.18
14	25.02	23.01	3.18
16	28.27	24.61	3.18
18	31.37	26.97	3.18
20	34.57	29.43	3.18
22	37.72	31.75	3.18
24	40.92	34.93	3.94

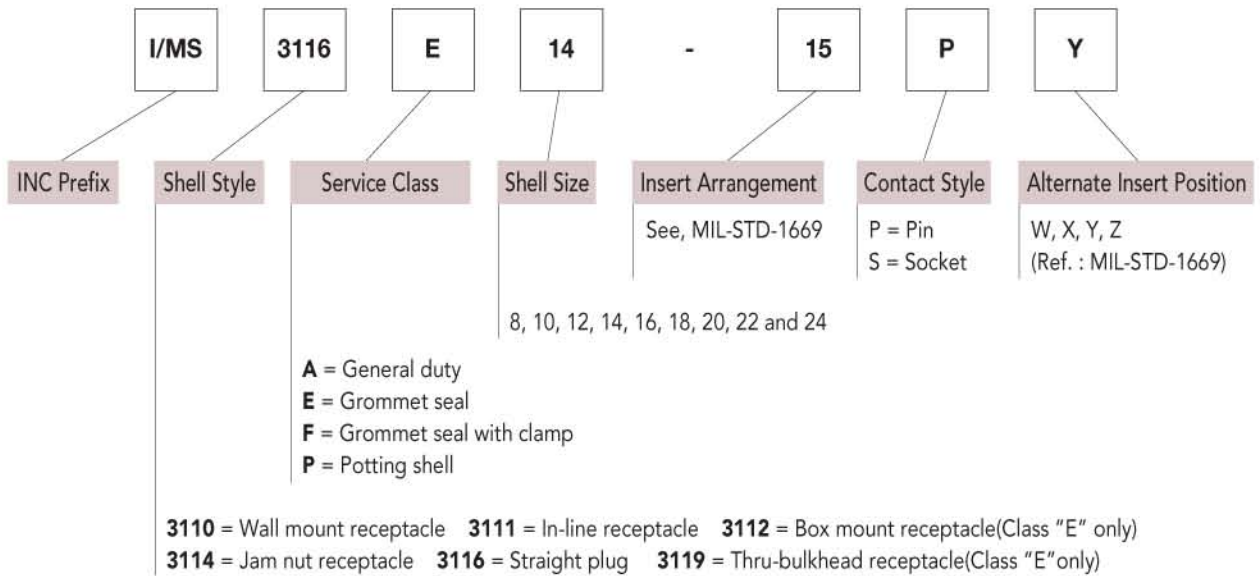
#### Jam Nut Receptacle

Shell Size	A dia. +0.25 / -0.00	B +0.00 / -0.25
8	14.68	13.8
10	17.7	17.0
12	22.5	21.1
14	25.6	24.3
16	28.8	27.5
18	32.0	30.7
20	35.2	33.9
22	38.3	37.1
24	41.5	40.0

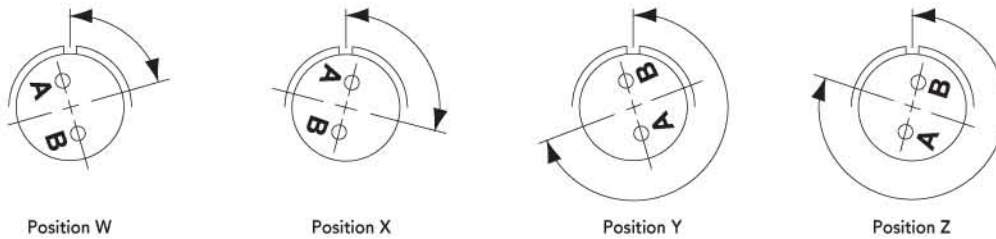




## Ordering Information



## Insert Arrangement & Alternate Positioning



View looking into front face of pin insert or rear of socket insert.

Shell Size	Layout	Service Rating	Total Contacts	Contact Size			Alternate Position Degrees			
				20	16	12	W	X	Y	Z
8	2	I	2	2			58	122	-	-
	3	I	3	3			60	210	-	-
	4	I	4	4			45	-	-	-
10	33	I	3	3			90	-	-	-
	6	I	6	6			90	-	-	-
	98	I	6	6			90	180	240	270
12	3	II	3		3		-	-	180	-
	8	I	8	8			90	112	203	292
14	10	I	10	10			60	155	270	295
	5	II	5		5		40	92	184	273
	12	I	12	8	4		43	90	-	-
	15	I	15	14	1		17	110	155	234
	18	I	18	18			15	90	180	270
16	19	I	19	19			30	165	315	-
	8	II	8		8		54	152	180	331
	23	I	23	22	1		158	270	-	-
	26	I	26	26			60	-	275	338

Shell Size	Layout	Service Rating	Total Contacts	Contact Size			Alternate Position Degrees			
				20	16	12	W	X	Y	Z
18	11	II	11		11		62	119	241	340
	30	I	30	29	1		180	193	285	350
20	32	I	32	32			85	138	222	265
	16	II	16		16		238	318	333	347
	24	I	24	24			70	145	215	290
	27	I	27	27			72	144	216	288
	39	I	39	37	2		83	144	252	333
22	41	I	41	41			45	126	225	-
	21	II	21		21		16	135	175	349
	32	I	32	32			72	145	215	288
	34	I	34	34			62	142	218	298
	41	I	41	27	14		39	135	264	-
24	55	I	55	55			30	142	226	314
	31	I	31		31		90	225	255	-
	61	I	61	61			90	180	270	324

## Contact Arrangement

Front face of pin insert illustrated.

### CONTACT LEGEND

○ 20 ● 16

### Shell Size 8

### Shell Size 10



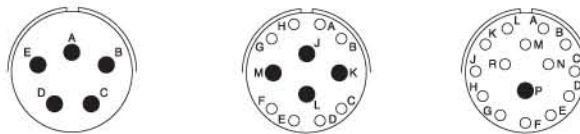
Insert Arrangement	8-2	8-3	8-4	8-33	10-6	10-98
Contact Size - No. of Contacts	#20-2	#20-3	#20-4	#20-3	#20-6	#20-6
Service Rating	I	I	I	I	I	I

### Shell Size 12



Insert Arrangement	12-3	12-8	12-10
Contact Size - No. of Contacts	#16-3	#20-8	#20-10
Service Rating	II	I	I

### Shell Size 14

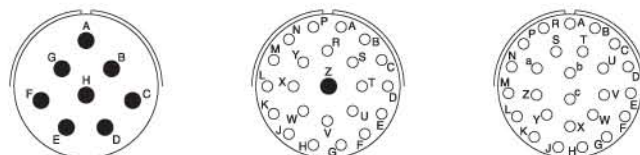


Insert Arrangement	14-5	14-12	14-15
Contact Size - No. of Contacts	#16-5	#20-8, #16-4	#20-14, #16-1
Service Rating	II	I	I



Insert Arrangement	14-18	14-19
Contact Size - No. of Contacts	#20-18	#20-19
Service Rating	I	I

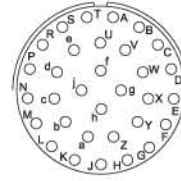
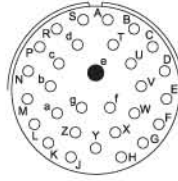
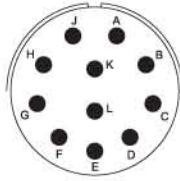
### Shell Size 16



Insert Arrangement	16-8	16-23	16-26
Contact Size - No. of Contacts	#16-8	#20-22, #16-1	#20-26
Service Rating	II	I	I

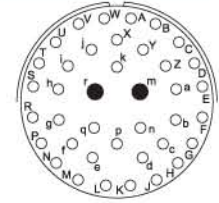
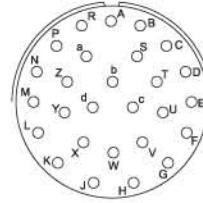
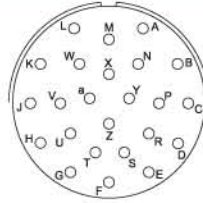
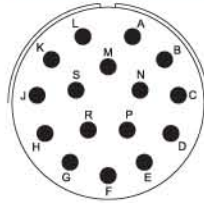
## Contact Arrangement

### Shell Size 18

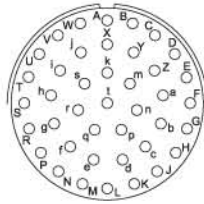


Insert Arrangement	18-11	18-30	18-32
Contact Size - No. of Contacts	#16-11	#20-29, #16-1	#20-32
Service Rating	II	I	I

### Shell Size 20

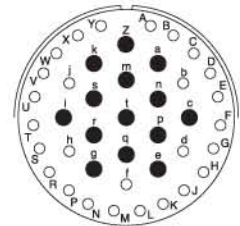
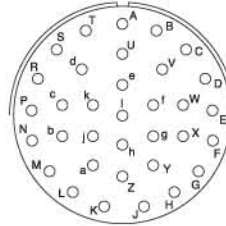
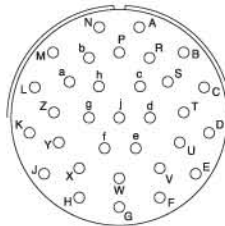
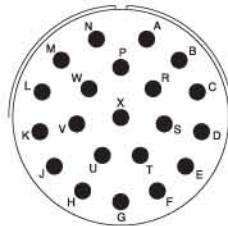


Insert Arrangement	20-16	20-24	20-27	20-39
Contact Size - No. of Contacts	#16-16	#20-24	#20-27	#20-37, #16-2
Service Rating	II	I	I	I



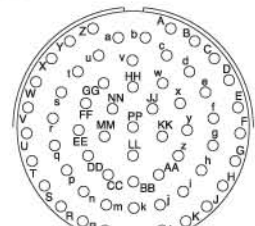
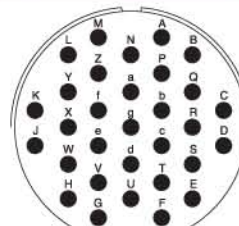
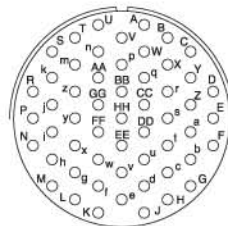
Insert Arrangement	20-41
Contact Size - No. of Contacts	#20-41
Service Rating	I

### Shell Size 22



Insert Arrangement	22-21	22-32	22-34	22-41
Contact Size - No. of Contacts	#16-21	#20-32	#20-34	#20-27, #16-14
Service Rating	II	I	I	I

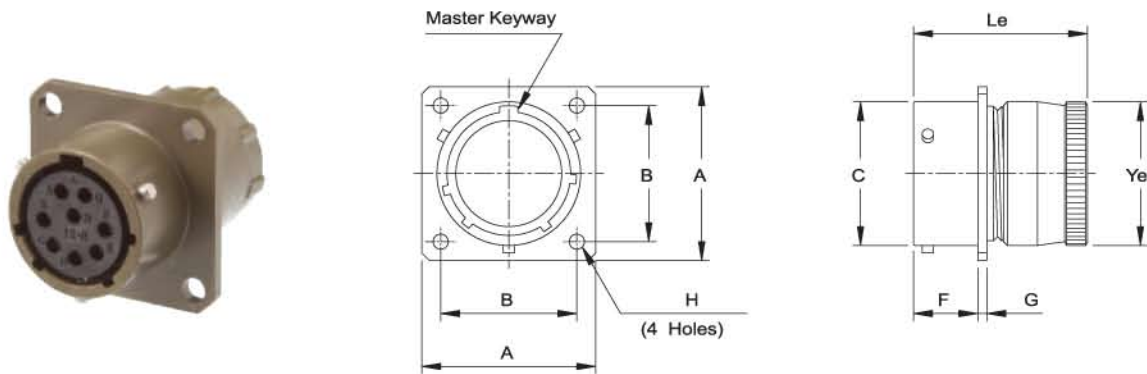
### Shell Size 24



Insert Arrangement	22-55	24-31	24-61
Contact Size - No. of Contacts	#20-55	#16-31	#20-61
Service Rating	I	I	I

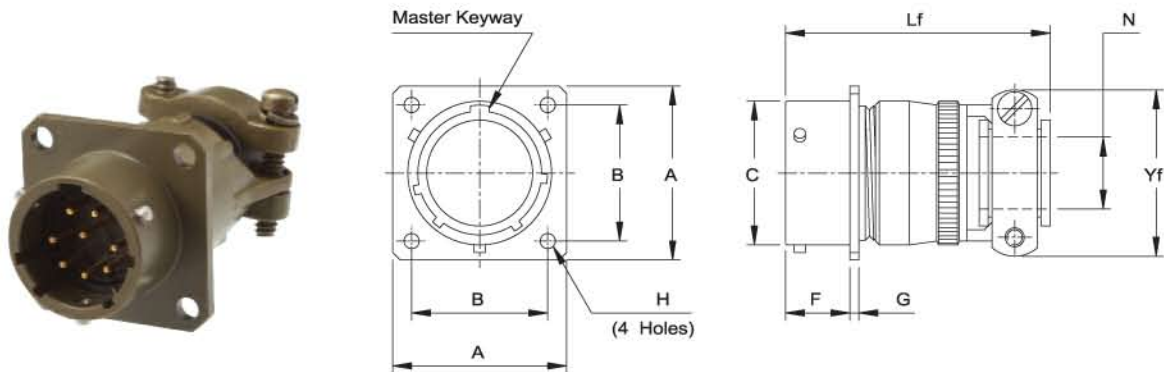


## I/MS3110E Wall Mounting Receptacle With Backnut



Part No.	A max.	B ±0.13	C dia. +0.00 -0.15	F +0.79 -0.00	G ±0.41	H dia. ±0.13	Le max.	Ye dia. max.
I/MS3110E 8-*	21.03	15.09	12.04	10.95	1.57	3.05	33.73	15.44
I/MS3110E 10-*	24.23	18.26	15.01	10.95	1.57	3.05	33.73	18.64
I/MS3110E 12-*	26.59	20.62	19.08	10.95	1.57	3.05	33.73	21.79
I/MS3110E 14-*	28.98	23.01	22.25	10.95	1.57	3.05	33.73	24.99
I/MS3110E 16-*	31.34	24.61	25.43	10.95	1.57	3.05	33.73	28.19
I/MS3110E 18-*	33.73	26.97	28.60	10.95	1.57	3.05	33.73	31.34
I/MS3110E 20-*	36.90	29.36	31.78	14.12	2.39	3.05	38.89	34.54
I/MS3110E 22-*	40.08	31.75	34.95	14.12	2.39	3.05	38.89	37.69
I/MS3110E 24-*	43.18	34.93	38.13	14.96	2.39	3.73	40.49	40.89

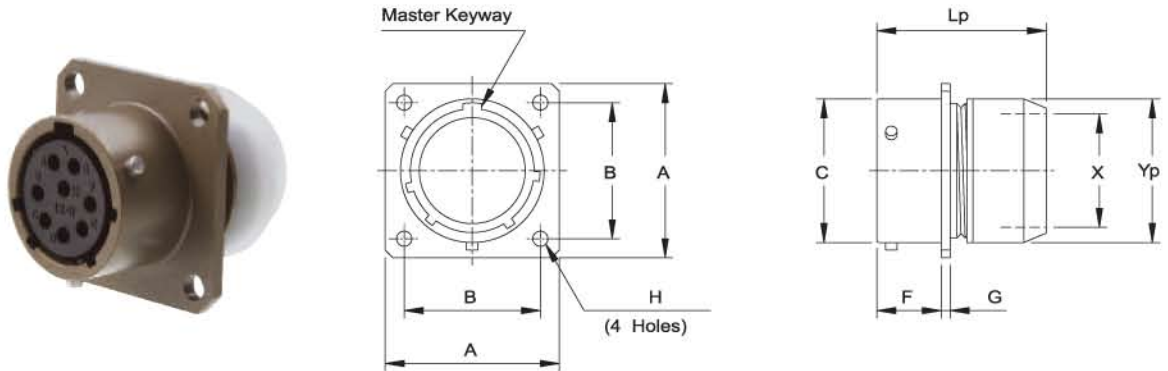
## I/MS3110F Wall Mounting Receptacle With Clamp



Part No.	A max.	B ±0.13	C dia. +0.00 -0.15	F +0.79 -0.00	G ±0.41	H dia. ±0.13	Lf max.	N dia. ±0.25	Yf max.
I/MS3110F 8-*	21.03	15.09	12.04	10.95	1.57	3.05	48.82	3.18	21.03
I/MS3110F 10-*	24.23	18.26	15.01	10.95	1.57	3.05	48.82	4.78	22.63
I/MS3110F 12-*	26.59	20.62	19.08	10.95	1.57	3.05	48.82	7.92	25.81
I/MS3110F 14-*	28.98	23.01	22.25	10.95	1.57	3.05	48.82	9.53	28.98
I/MS3110F 16-*	31.34	24.61	25.43	10.95	1.57	3.05	51.99	12.70	30.56
I/MS3110F 18-*	33.73	26.97	28.60	10.95	1.57	3.05	52.78	15.88	37.31
I/MS3110F 20-*	36.90	29.36	31.78	14.12	2.39	3.05	59.54	15.88	37.31
I/MS3110F 22-*	40.08	31.75	34.95	14.12	2.39	3.05	59.54	19.05	42.06
I/MS3110F 24-*	43.18	34.93	38.13	14.96	2.39	3.73	61.11	20.32	44.45

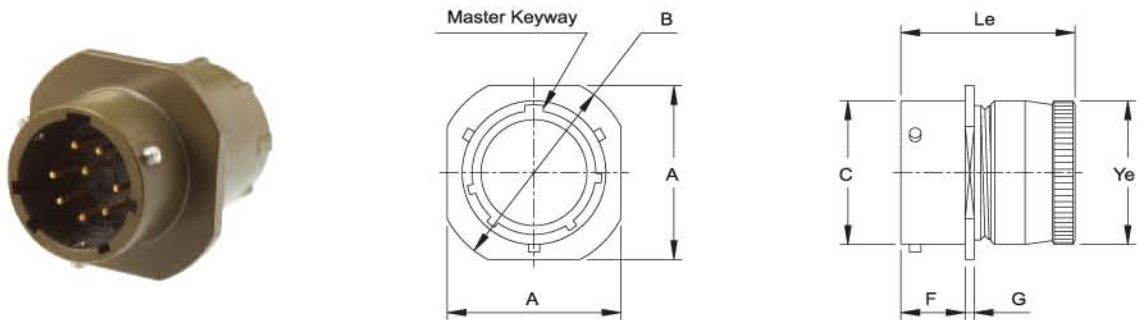
MIL-DTL-26482 Ser. I Type

## I/MS3110P Wall Mounting Receptacle With Potting Shell



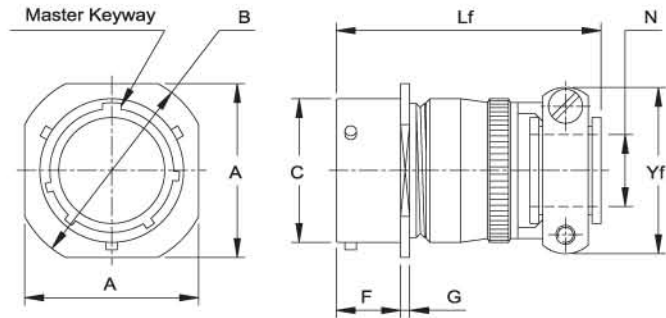
Part No.	A max.	B ±0.13	C dia. +0.00 -0.15	F +0.79 -0.00	G ±0.41	H dia. ±0.13	Lp max.	X dia. min.	Yp dia. max.
I/MS3110P 8-*	21.03	15.09	12.04	10.95	1.57	3.05	36.91	8.05	15.44
I/MS3110P 10-*	24.23	18.26	15.01	10.95	1.57	3.05	36.91	11.02	18.64
I/MS3110P 12-*	26.59	20.62	19.08	10.95	1.57	3.05	36.91	13.92	21.79
I/MS3110P 14-*	28.98	23.01	22.25	10.95	1.57	3.05	36.91	17.09	24.99
I/MS3110P 16-*	31.34	24.61	25.43	10.95	1.57	3.05	36.91	20.27	28.19
I/MS3110P 18-*	33.73	26.97	28.60	10.95	1.57	3.05	36.91	22.83	31.34
I/MS3110P 20-*	36.90	29.36	31.78	14.12	2.39	3.05	42.47	26.01	34.54
I/MS3110P 22-*	40.08	31.75	34.95	14.12	2.39	3.05	42.47	29.18	37.69
I/MS3110P 24-*	43.18	34.93	38.13	14.96	2.39	3.73	44.04	32.36	40.89

## I/MS3111E In-Line Receptacle With Backnut



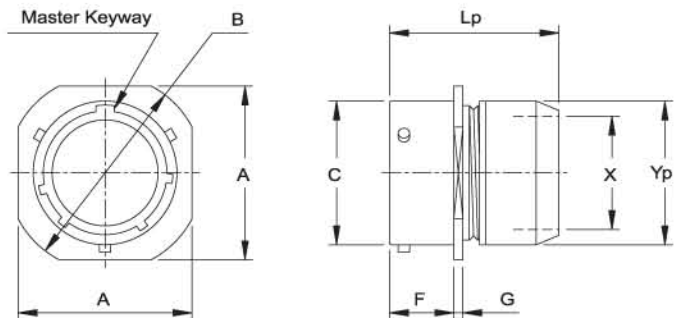
Part No.	A max.	B dia. ±0.51	C dia. +0.00 -0.15	F +0.79 -0.00	G ±0.41	Le max.	Ye dia. max.
I/MS3111E 8-*	21.03	23.83	12.04	10.16	2.39	33.73	15.44
I/MS3111E 10-*	24.23	26.97	15.01	10.16	2.39	33.73	18.64
I/MS3111E 12-*	26.59	29.36	19.08	10.16	2.39	33.73	21.79
I/MS3111E 14-*	28.98	31.75	22.25	10.16	2.39	33.73	24.99
I/MS3111E 16-*	31.34	34.14	25.43	10.16	2.39	33.73	28.19
I/MS3111E 18-*	33.73	36.53	28.60	10.16	2.39	33.73	31.34
I/MS3111E 20-*	36.91	39.67	31.78	13.59	2.92	38.89	35.54
I/MS3111E 22-*	40.08	42.88	34.95	13.59	2.92	38.89	37.69
I/MS3111E 24-*	43.18	46.02	38.13	14.17	2.92	40.49	40.89

## I/MS3111F In-Line Receptacle With Clamp



Part No.	A max.	B dia. ±0.51	C dia. +0.00 -0.15	F +0.79 -0.00	G ±0.41	Lf max.	N dia. ±0.25	Yf max.
I/MS3111F 8-*	21.03	23.83	12.04	10.16	2.39	48.82	3.18	21.03
I/MS3111F 10-*	24.23	26.97	15.01	10.16	2.39	48.82	4.78	22.63
I/MS3111F 12-*	26.59	29.36	19.08	10.16	2.39	48.82	7.92	25.81
I/MS3111F 14-*	28.98	31.75	22.25	10.16	2.39	48.82	9.53	28.98
I/MS3111F 16-*	31.34	34.14	25.43	10.16	2.39	51.99	12.70	30.56
I/MS3111F 18-*	33.73	36.53	28.60	10.16	2.39	52.78	15.88	37.31
I/MS3111F 20-*	36.91	39.67	31.78	13.59	2.92	59.54	15.88	37.31
I/MS3111F 22-*	40.08	42.88	34.95	13.59	2.92	59.54	19.05	42.06
I/MS3111F 24-*	43.18	46.02	38.13	14.17	2.92	61.11	20.32	44.45

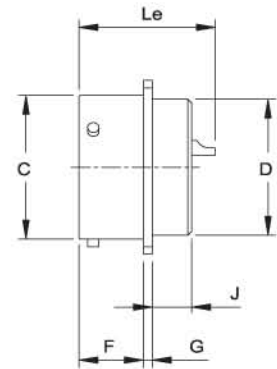
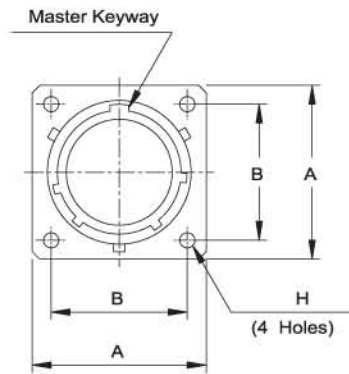
## I/MS3111P In-Line Receptacle With Potting Shell



Part No.	A max.	B dia. ±0.51	C dia. +0.00 -0.15	F +0.79 -0.00	G ±0.41	Lp max.	X dia. min.	Yp dia. max.
I/MS3111P 8-*	21.03	23.83	12.04	10.16	2.39	36.91	8.05	15.44
I/MS3111P 10-*	24.23	26.97	15.01	10.16	2.39	36.91	11.02	18.64
I/MS3111P 12-*	26.59	29.36	19.08	10.16	2.39	36.91	13.92	21.79
I/MS3111P 14-*	28.98	31.75	22.25	10.16	2.39	36.91	17.09	24.99
I/MS3111P 16-*	31.34	34.14	25.43	10.16	2.39	36.91	20.27	28.19
I/MS3111P 18-*	33.73	36.53	28.60	10.16	2.39	36.91	22.83	31.34
I/MS3111P 20-*	36.91	39.67	31.78	13.59	2.92	42.47	26.01	34.54
I/MS3111P 22-*	40.08	42.88	34.95	13.59	2.92	42.47	29.18	37.69
I/MS3111P 24-*	43.18	46.02	38.13	14.17	2.92	44.04	32.36	40.89

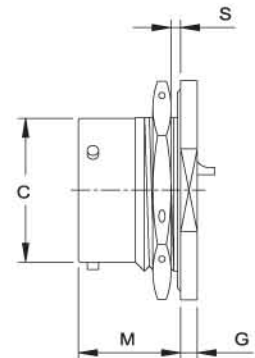
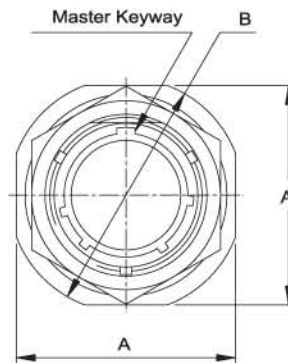


## I/MS3112E Box Mounting Receptacle Not Accepting Backshell



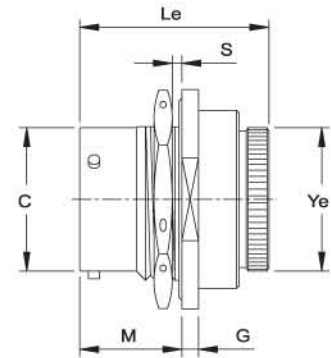
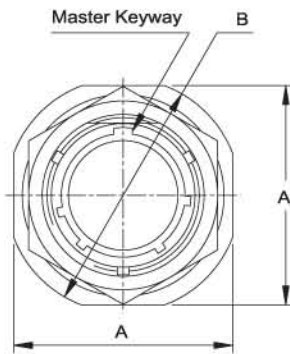
Part No.	A max.	B ±0.13	C dia. +0.00 -0.15	D dia. +0.79 -0.41	F +0.79 -0.00	G ±0.41	H dia. ±0.13	J max.	Le max.
I/MS3112E 8-*	21.03	15.09	12.04	11.12	10.95	1.57	3.05	8.99	24.84
I/MS3112E 10-*	24.23	18.26	15.01	14.27	10.95	1.57	3.05	8.99	24.84
I/MS3112E 12-*	26.59	20.62	19.08	17.48	10.95	1.57	3.05	8.99	24.84
I/MS3112E 14-*	28.98	23.01	22.25	20.62	10.95	1.57	3.05	8.99	24.84
I/MS3112E 16-*	31.34	24.61	25.43	23.83	10.95	1.57	3.05	8.99	24.84
I/MS3112E 18-*	33.73	26.97	28.60	26.97	10.95	1.57	3.05	8.99	24.84
I/MS3112E 20-*	36.90	29.36	31.78	30.18	14.12	2.39	3.05	10.59	30.38
I/MS3112E 22-*	40.08	31.75	34.95	33.32	14.12	2.39	3.05	10.59	30.38
I/MS3112E 24-*	43.26	34.93	38.13	36.53	14.96	2.39	3.73	11.30	30.38

## I/MS3114A Jam Nut Receptacle Not Accepting Backshell



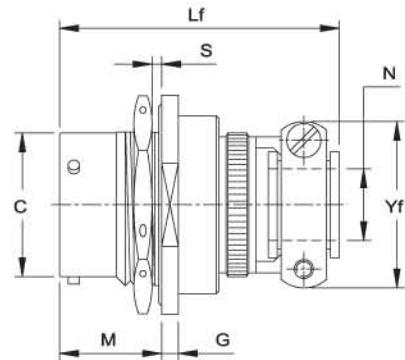
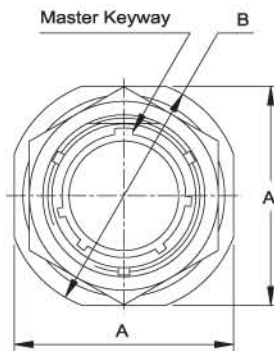
Part No.	A max.	B dia. +0.00 -0.81	C dia. +0.00 -0.15	G ±0.51	M +0.79 -0.00	S Panel thick Ref. min. / max.
I/MS3114A 8-*	24.23	27.38	12.04	2.97	17.55	1.57 / 3.18
I/MS3114A 10-*	27.38	30.56	15.01	2.97	17.55	1.57 / 3.18
I/MS3114A 12-*	32.16	35.33	19.08	2.97	17.55	1.57 / 3.18
I/MS3114A 14-*	35.33	38.51	22.25	2.97	17.55	1.57 / 3.18
I/MS3114A 16-*	38.51	41.68	25.43	2.97	17.55	1.57 / 3.18
I/MS3114A 18-*	41.68	44.86	28.60	2.97	17.55	1.57 / 3.18
I/MS3114A 20-*	46.43	49.63	31.78	3.76	22.33	1.57 / 6.35
I/MS3114A 22-*	49.63	52.78	34.95	3.76	22.33	1.57 / 6.35
I/MS3114A 24-*	52.78	55.96	38.13	3.76	23.16	1.57 / 6.35

## I/MS3114E Jam Nut Receptacle With Backnut



Part No.	A max.	B dia. +0.00 -0.81	C dia. +0.00 -0.15	G ±0.41	Le max.	M +0.79 -0.00	S Panel thick min. / max.	Ye dia. max.
I/MS3114E 8-*	24.23	27.38	12.04	2.97	34.14	17.55	1.57 / 3.18	19.05
I/MS3114E 10-*	27.38	30.56	15.01	2.97	34.14	17.55	1.57 / 3.18	22.23
I/MS3114E 12-*	32.16	35.33	19.08	2.97	34.14	17.55	1.57 / 3.18	25.40
I/MS3114E 14-*	35.33	38.51	22.25	2.97	34.14	17.55	1.57 / 3.18	28.58
I/MS3114E 16-*	38.51	41.68	25.43	2.97	34.14	17.55	1.57 / 3.18	31.75
I/MS3114E 18-*	41.68	44.86	28.60	2.97	34.14	17.55	1.57 / 3.18	34.93
I/MS3114E 20-*	46.43	49.63	31.78	3.76	40.49	22.33	1.57 / 6.35	38.89
I/MS3114E 22-*	49.63	52.78	34.95	3.76	40.49	22.33	1.57 / 6.35	42.06
I/MS3114E 24-*	52.78	55.96	38.13	3.76	41.68	23.16	1.57 / 6.35	45.24

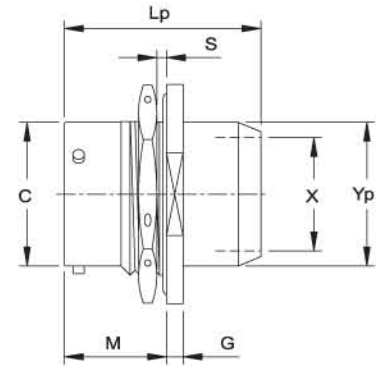
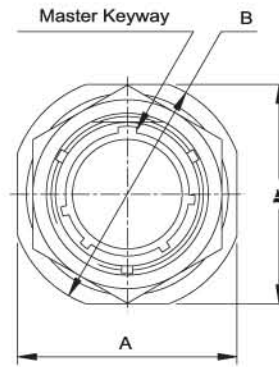
## I/MS3114F Jam Nut Receptacle With Clamp



Part No.	A max.	B dia. +0.00 -0.81	C dia. +0.00 -0.15	G ±0.41	Lf max.	M +0.79 -0.00	N dia. ±0.25	S Panel thick min. / max.	Yf max.
I/MS3114F 8-*	24.23	27.38	12.04	2.97	48.41	17.55	3.18	1.57 / 3.18	21.03
I/MS3114F 10-*	27.38	30.56	15.01	2.97	48.41	17.55	4.78	1.57 / 3.18	22.63
I/MS3114F 12-*	32.16	35.33	19.08	2.97	48.41	17.55	7.92	1.57 / 3.18	25.81
I/MS3114F 14-*	35.33	38.51	22.25	2.97	48.41	17.55	9.53	1.57 / 3.18	28.98
I/MS3114F 16-*	38.51	41.68	25.43	2.97	51.99	17.55	12.70	1.57 / 3.18	30.56
I/MS3114F 18-*	41.68	44.86	28.60	2.97	52.78	17.55	15.88	1.57 / 3.18	37.31
I/MS3114F 20-*	46.43	49.63	31.78	3.76	59.13	22.33	15.88	1.57 / 6.35	37.31
I/MS3114F 22-*	49.63	52.78	34.95	3.76	59.13	22.33	19.05	1.57 / 6.35	42.06
I/MS3114F 24-*	52.78	55.96	38.13	3.76	62.31	23.16	20.32	1.57 / 6.35	44.45

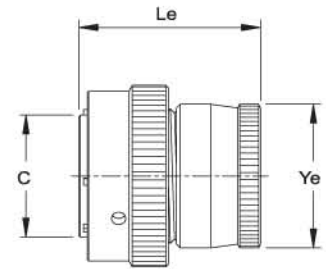
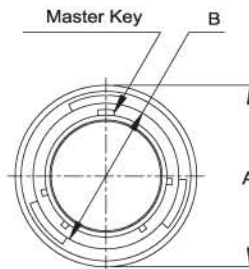


## I/MS3114P Jam Nut Receptacle With Potting Shell



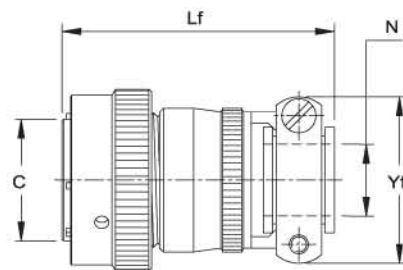
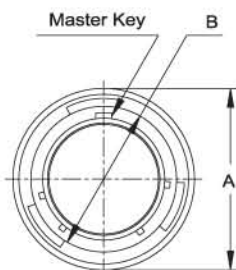
Part No.	A max.	B dia. +0.00 -0.81	C dia. +0.00 -0.15	G ±0.51	Lp max.	M +0.79 -0.00	S Panel thick min. / max.	X dia. min.	Yp dia. max.
I/MS3114P 8-*	24.23	27.38	12.04	2.97	35.33	17.55	1.57 / 3.18	8.05	15.44
I/MS3114P 10-*	27.38	30.56	15.01	2.97	35.33	17.55	1.57 / 3.18	11.02	18.64
I/MS3114P 12-*	32.16	35.33	19.08	2.97	35.33	17.55	1.57 / 3.18	13.92	21.79
I/MS3114P 14-*	35.33	38.51	22.25	2.97	35.33	17.55	1.57 / 3.18	17.09	24.99
I/MS3114P 16-*	38.51	41.68	25.43	2.97	35.33	17.55	1.57 / 3.18	20.27	28.19
I/MS3114P 18-*	41.68	44.86	28.60	2.97	35.33	17.55	1.57 / 3.18	22.83	31.34
I/MS3114P 20-*	46.43	49.63	31.78	3.76	41.68	22.33	1.57 / 6.35	26.01	34.54
I/MS3114P 22-*	49.63	52.78	34.95	3.76	41.68	22.33	1.57 / 6.35	29.18	37.69
I/MS3114P 24-*	52.78	55.96	38.13	3.76	43.26	23.16	1.57 / 6.35	32.36	40.89

## I/MS3116E Straight Plug With Backnut



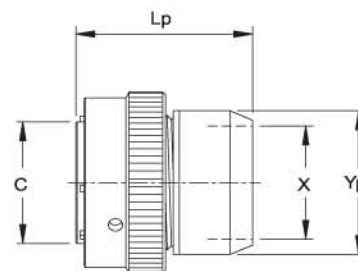
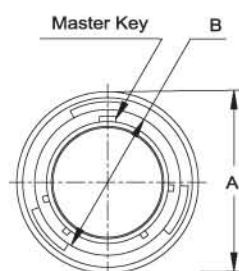
Part No.	A dia. max.	B dia. +0.15 -0.00	C dia. +0.00 -0.15	Le max.	Ye dia. max.
I/MS3116E 8-*	19.86	12.19	9.09	33.73	15.44
I/MS3116E 10-*	23.52	15.27	12.34	33.73	18.64
I/MS3116E 12-*	26.49	19.30	15.19	33.73	21.79
I/MS3116E 14-*	30.05	22.45	18.36	33.73	24.99
I/MS3116E 16-*	33.15	25.63	21.54	33.73	28.19
I/MS3116E 18-*	35.33	28.83	24.08	33.73	31.34
I/MS3116E 20-*	38.89	31.98	27.25	36.91	34.54
I/MS3116E 22-*	42.06	35.15	30.43	36.91	37.69
I/MS3116E 24-*	45.14	38.33	33.60	38.35	40.89

## I/MS3116F Straight Plug With Clamp



Part No.	A dia. max.	B dia. +0.15 -0.00	C dia. +0.00 -0.15	Lf max.	N dia. ±0.25	Yf max.
I/MS3116F 8-*	19.86	12.19	9.09	48.41	3.18	21.03
I/MS3116F 10-*	23.52	15.27	12.34	48.41	4.78	22.63
I/MS3116F 12-*	26.49	19.30	15.19	48.41	7.92	25.81
I/MS3116F 14-*	30.05	22.45	18.36	48.41	9.53	28.98
I/MS3116F 16-*	33.15	25.63	21.54	51.99	12.70	30.56
I/MS3116F 18-*	35.33	28.83	24.08	52.78	15.88	37.31
I/MS3116F 20-*	38.89	31.98	27.25	57.15	15.88	37.31
I/MS3116F 22-*	42.06	35.15	30.43	57.15	19.05	42.06
I/MS3116F 24-*	45.14	38.33	33.60	58.72	20.32	44.45

## I/MS3116P Straight Plug With Potting Shell

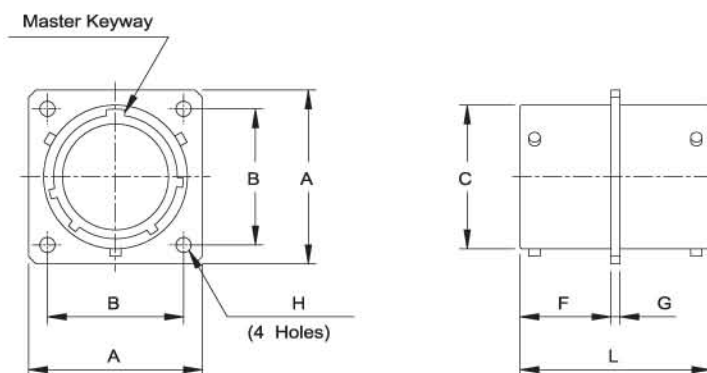


Part No.	A dia. max.	B dia. +0.15 -0.00	C dia. +0.00 -0.15	Lp max.	X dia. min.	Yp dia. max.
I/MS3116P 8-*	19.86	12.19	9.09	38.10	8.05	15.44
I/MS3116P 10-*	23.52	15.27	12.34	38.10	11.02	18.64
I/MS3116P 12-*	26.49	19.30	15.19	38.10	13.92	21.79
I/MS3116P 14-*	30.05	22.45	18.36	38.10	17.09	24.99
I/MS3116P 16-*	33.15	25.63	21.54	38.10	20.27	28.19
I/MS3116P 18-*	35.33	28.83	24.08	38.10	22.83	31.34
I/MS3116P 20-*	38.89	31.98	27.25	40.87	26.01	34.54
I/MS3116P 22-*	42.06	35.15	30.43	40.87	29.18	37.69
I/MS3116P 24-*	45.14	38.33	33.60	42.85	32.36	40.89

## I/MS3119E Thru-Bulkhead Receptacle

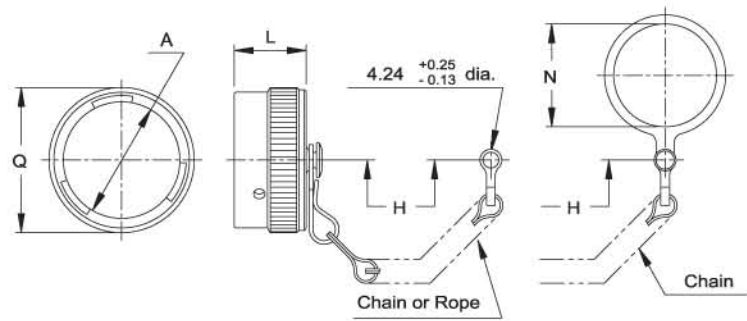


Reference Only



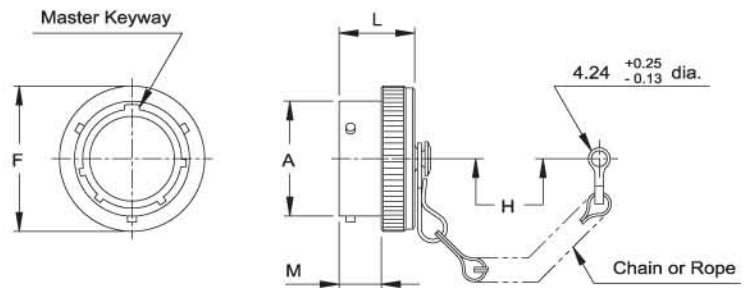
Part No.	A max.	B ±0.13	C dia. +0.00 -0.15	F +0.79 -0.00	G ±0.41	H dia. ±0.13	L max.
I/MS3119E 8-*	21.03	15.09	12.04	14.27	1.57	3.05	28.58
I/MS3119E 10-*	24.23	18.26	15.01	14.27	1.57	3.05	28.58
I/MS3119E 12-*	26.59	20.62	19.08	14.27	1.57	3.05	28.58
I/MS3119E 14-*	28.98	23.01	22.25	14.27	1.57	3.05	28.58
I/MS3119E 16-*	31.34	24.61	25.43	14.27	1.57	3.05	28.58
I/MS3119E 18-*	33.73	26.97	28.60	14.27	1.57	3.05	28.58
I/MS3119E 20-*	36.91	29.36	31.78	17.48	2.39	3.05	35.71
I/MS3119E 22-*	40.08	31.75	34.95	17.48	2.39	3.05	35.71
I/MS3119E 24-*	43.26	34.93	38.13	17.48	2.39	3.73	35.71

## I/MS3181 Protective Cover For Receptacle



Part No.	Dash no. (with Chain)	Dash no. (with Chain and Ring)	Dash no. (with Rope)	A dia. +0.15 -0.00	H +12.70 -6.35	L max.	N dia. min.	Q dia. max.
I/MS3181-*	8C	8N	8R	12.19	76.20	14.27	14.68	18.64
I/MS3181-*	10C	10N	10R	15.27	76.20	14.27	17.86	21.82
I/MS3181-*	12C	12N	12R	19.30	88.90	14.27	22.63	25.40
I/MS3181-*	14C	14N	14R	22.45	88.90	14.27	25.81	28.58
I/MS3181-*	16C	16N	16R	25.63	88.90	14.27	28.98	31.75
I/MS3181-*	18C	18N	18R	28.83	88.90	14.27	32.16	34.92
I/MS3181-*	20C	20N	20R	31.98	101.60	14.27	35.33	38.10
I/MS3181-*	22C	22N	22R	35.15	101.60	14.27	38.51	41.28
I/MS3181-*	24C	24N	24R	38.33	101.60	15.29	41.68	44.45

## I/MS3180 Protective Cover For Plug



Part No.	Dash no. (with Chain)	Dash no. (with Rope)	A dia. +0.00 -0.15	F dia. max.	H +12.70 -6.35	L max.	M +0.25 -0.00
I/MS3180-*	8C	8R	12.04	18.26	76.20	14.27	9.35
I/MS3180-*	10C	10R	15.01	21.44	76.20	14.27	9.35
I/MS3180-*	12C	12R	19.08	25.40	88.90	14.27	9.35
I/MS3180-*	14C	14R	22.25	28.58	88.90	14.27	9.35
I/MS3180-*	16C	16R	25.43	31.75	88.90	14.27	9.35
I/MS3180-*	18C	18R	28.60	34.92	88.90	14.27	9.35
I/MS3180-*	20C	20R	31.78	38.10	101.60	15.88	10.92
I/MS3180-*	22C	22R	34.95	41.28	101.60	15.88	10.92
I/MS3180-*	24C	24R	38.13	44.45	101.60	16.71	11.76



International  
Network —  
**Connectors**

293-4, Hyoseong-dong, Gyeyang-gu, Incheon, Korea  
TEL. +82-32-545-1411~3 FAX. +82-32-545-1417