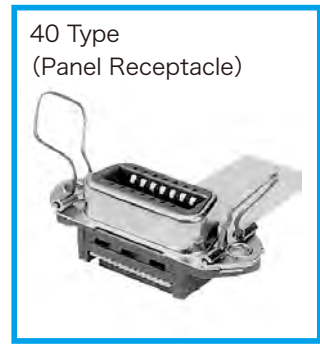
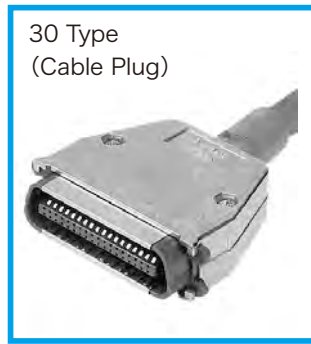
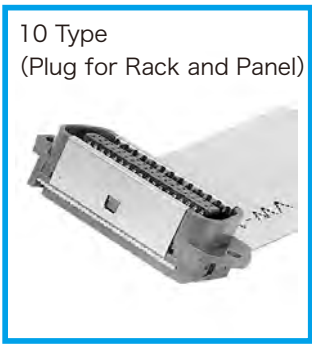


# Shielded IDC Flat Cable Connector

## 57FE Series

DDK Ltd.



### FEATURE

● 57FE series is a shielded IDC connectors for flat cable. It is covered the interface by the metal plates for EMC.

### SPECIFICATIONS

Rated Voltage	250V AC (r.m.s.)
Rated Current	1A / Contact
Dielectric Withstanding Voltage	500V AC (r.m.s.) / 1 minute
Insulation Resistance	1000M Ω min. at 500V DC
Contact Resistance	35m Ω max.
Operating Temperature	- 55°C~+ 105°C
Applicable Cable	Cable Pitch : 1.27mm AWG#28 (Solid Cable, Stranded Cable) AWG#30 (Solid Cable)

### MATERIAL/ FINISH



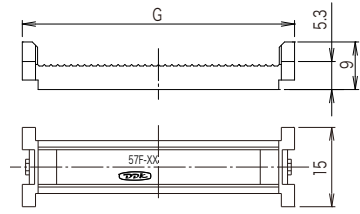
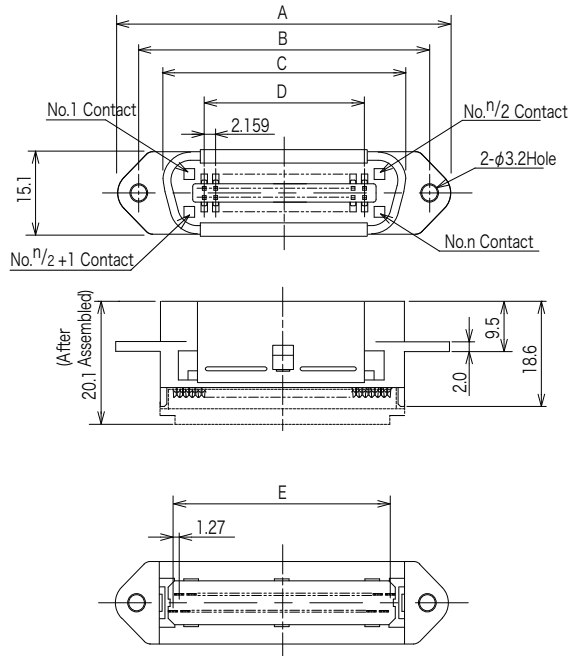
Item	Material / Finish
Insulator	PC Resin (UL94V-0) / Blue
Contact	Copper Alloy / Au over Ni Plating
Shell	Copper Alloy / Ni Plating (57FE-20, 40 Type)
Strain Relief	Polycarbonate (UL94V-0) /Blue
Ground Tab	Copper Alloy / Ni Plating (57FE-10, 30 Type)
Bail Lock	Stainless Steel (57FE-40 Type)
Metal Hood	Aluminum Alloy / Gray (Outside Only)
Plastic Hood	ABS Resin / Ni Plating
Boot	PVC (57FE-30 Type)

© Specifications and/or dimensions in this catalog are subject to change without notice.  
Please verify the latest specifications with our drawings.

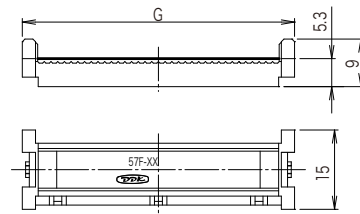
▶ Plug for Rack and Panel

57FE-10360-20 S

FE : Shield Type	Strain Relief No digit : No Strain Relief S : With Plastic Strain Relief
Number of Contact 24, 36, 50	Cover Style 0 : Open-ended Cover, Blue A : Close-ended Cover, Blue(for 24 and 36pin only)
Contact Plating 2 : Au0.4 μ m over Ni Plating	



Open-ended Cover

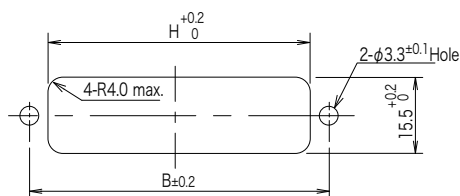


Close-ended Cover

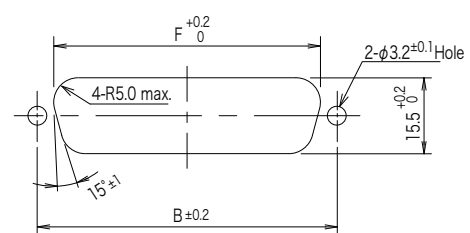
Number of Contact	A	B	C	D	E	G
24	54.78	46.78	39.4	23.749	29.21	36.3
36	67.74	59.74	52.2	36.703	44.45	51.5
50	82.85	74.85	67.4	51.816	62.23	68.5

■ Panel Mounting Dimensions

● Front Mounting Type



● Rear Mounting Type



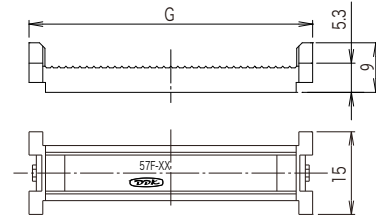
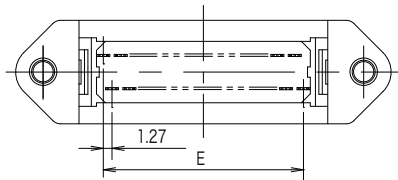
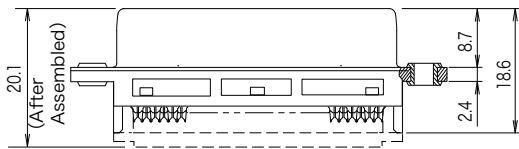
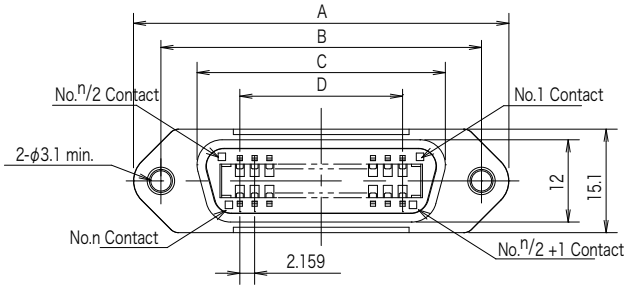
Number of Contact	B	H		F
		with Strain Relief	without Strain Relief	
24	46.78	36.8	38.7	40.1
36	59.74	52.0	53.9	53.0
50	74.85	69.0	70.9	68.2

© Specifications and/or dimensions in this catalog are subject to change without notice.  
Please verify the latest specifications with our drawings.

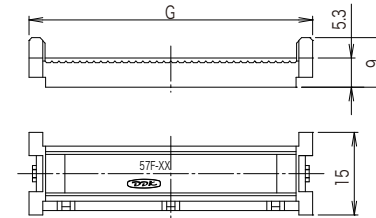
▶ Receptacle for Rack and Panel

57FE-20360-20S

Number of Contact 14, 24, 36, 50	Strain Relief No digit : No Strain Relief S : With Plastic Strain Relief
Contact Plating 2 : Au0.4 μ mover Ni Plating	Cover Style 0 : Open-ended Cover, Blue A : Close-ended Cover, Blue



Open-ended Cover

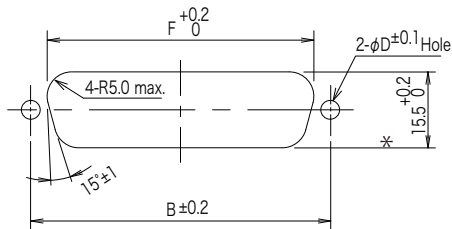


Close-ended Cover

■ Panel Mounting Dimensions

● Rear Mounting Type

Number of Contact	A	B	C	D	E	G
14	44.00	36.00	25.4	12.954	16.51	23.2
24	54.78	46.78	36.2	23.749	29.21	36.3
36	67.74	59.74	49.0	36.703	44.45	51.5
50	82.85	74.85	64.2	51.816	62.23	68.5



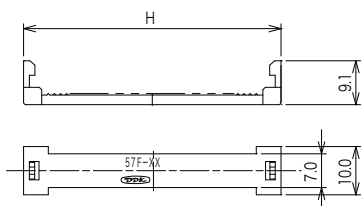
Number of Contact	B	D	F
14	36.00	3.2	29.3
24	46.78	3.2	40.1
36	59.74	3.2	53.0
50	74.85	3.2	68.2

\* : When the mating connector is 57FE-10 type, the size is 16.2<sup>+0.2</sup><sub>0</sub> .

Plastic Strain Relief

57F-14-041

Number of Contact  
14, 24,  
36, 50



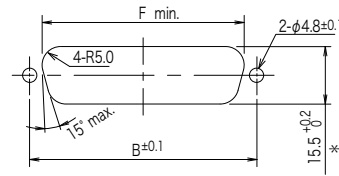
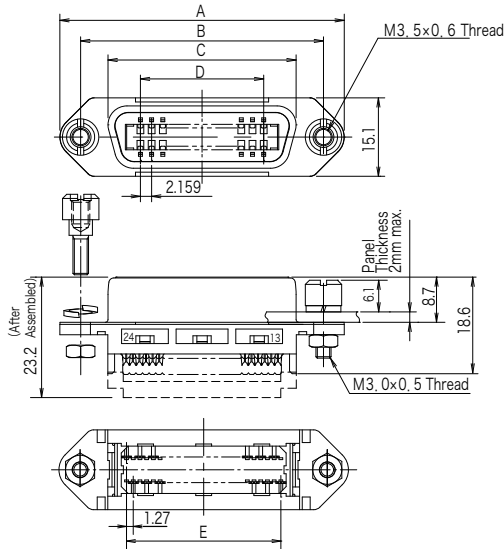
Number of Contact	H
14	25.10
24	38.20
36	53.40
50	70.40

© Specifications and/or dimensions in this catalog are subject to change without notice. Please verify the latest specifications with our drawings.

▶ Receptacle for Rack and Panel(with Jack Socket)

**57FE-20500-20SD35-CG**

Number of Contact : 14, 24, 36, 50	CG : Lead and Cadmium Free
Contact Plating 2 : Au0.4 μ m over Ni Plating	Deviation D35 : With Jack Socket
Cover Style 0 : Open-ended Cover, Blue A : Close-ended Cover, Blue(for 14,24 and 36 pin only)	Strain Relief No Digit : None S : With Plastic Strain Relief



Rear Mounting Type

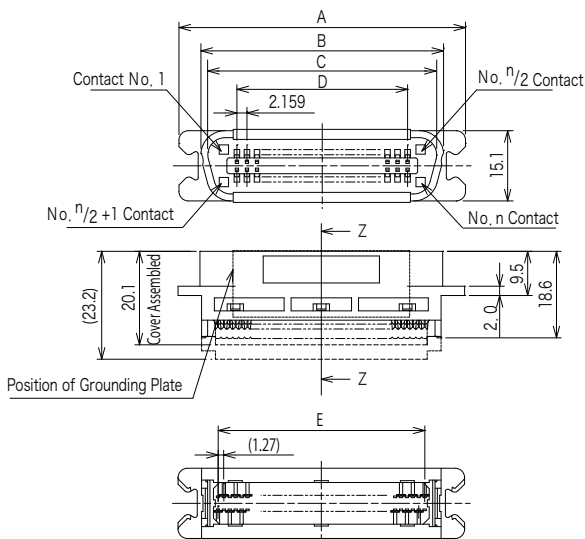
\* : When the mating connector is 57FE-10 type, the size is 16.2<sup>+0.2</sup><sub>0</sub>.

Number of Contact	A	B	C	D	E	F
14	44.00	36.00	25.4	12.954	16.51	29.3
24	54.78	46.78	36.2	23.749	29.21	40.1
36	67.74	59.74	49.0	36.703	44.45	53.0
50	82.85	74.85	64.2	51.816	62.23	68.2

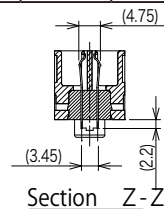
▶ Cable Plug

**57FE-30360-20S**

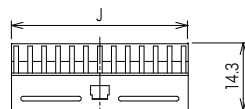
Number of Contact : 14, 24, 36, 50	Strain Relief No Digit : None S : With Plastic Strain Relief
Contact Plating 2 : Au0.4 μ m over Ni Plating	Cover Style 0 : Open-ended Cover, Blue A : Close-ended Cover, Blue(for 14,24 and 36 pin only)



Number of Contact	A	B	C	D	E	J
14	37.82	28.6	25.5	12.954	16.51	17.0
24	48.64	39.4	36.4	23.749	29.21	26.0
36	61.62	52.2	49.2	36.703	44.45	38.0
50	76.74	67.4	64.4	51.816	62.23	53.0



Section Z-Z

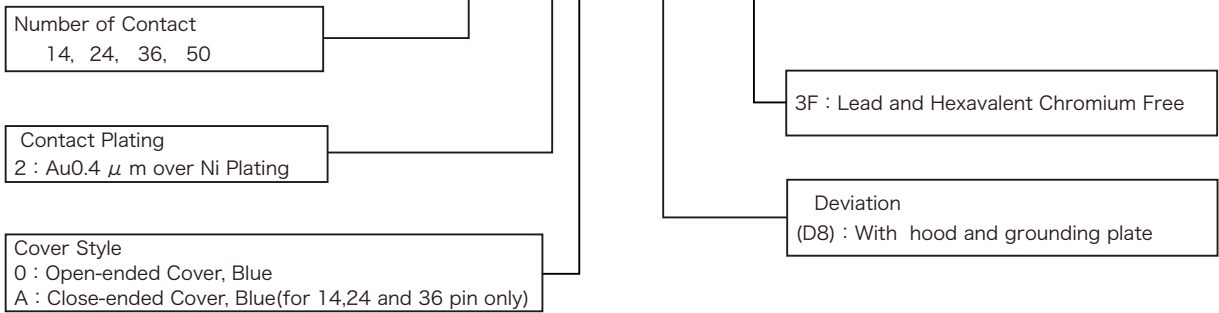


Grounding Plate (attached)

© Specifications and/or dimensions in this catalog are subject to change without notice. Please verify the latest specifications with our drawings.

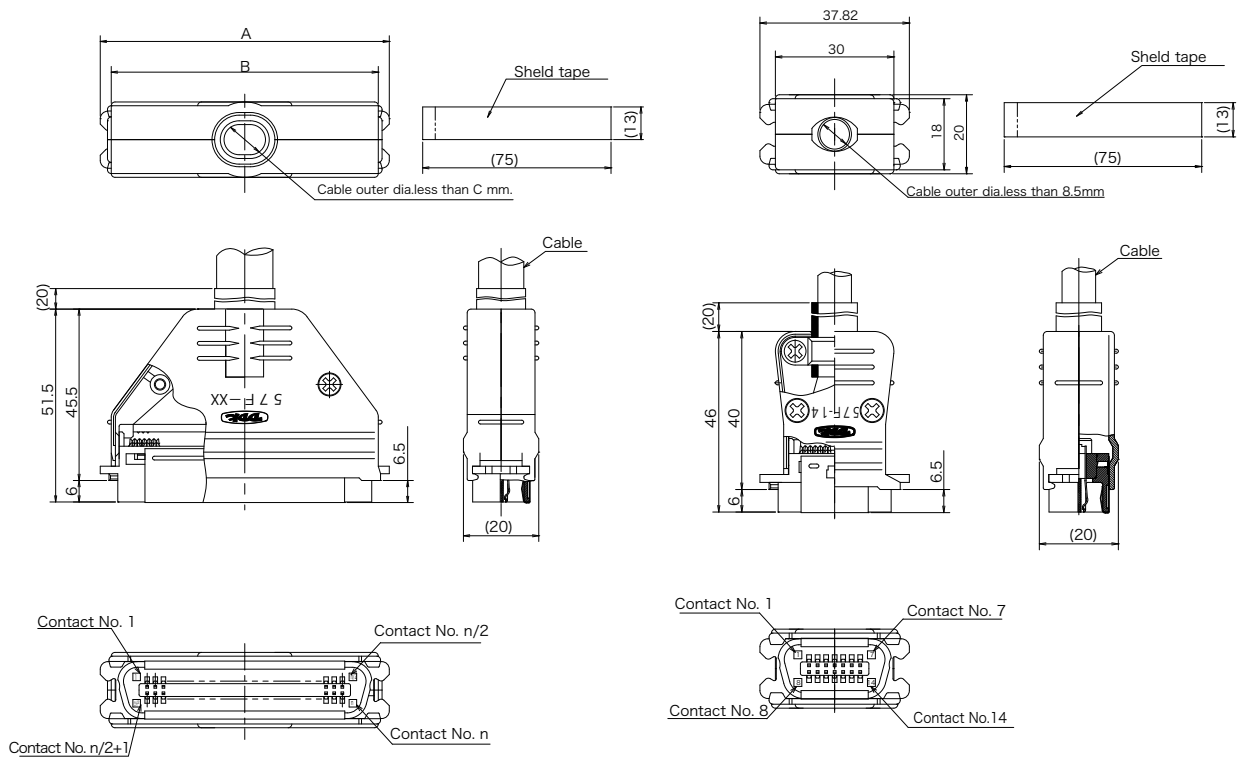
▶ With hood and grounding plate 30 Type

57FE-30360-20N(D8)-3F(R1)



57FE-30xx0-2xN(D8)-3F(R1)

57FE-30140-2xN(D8)-3F(R1)



Dimensions

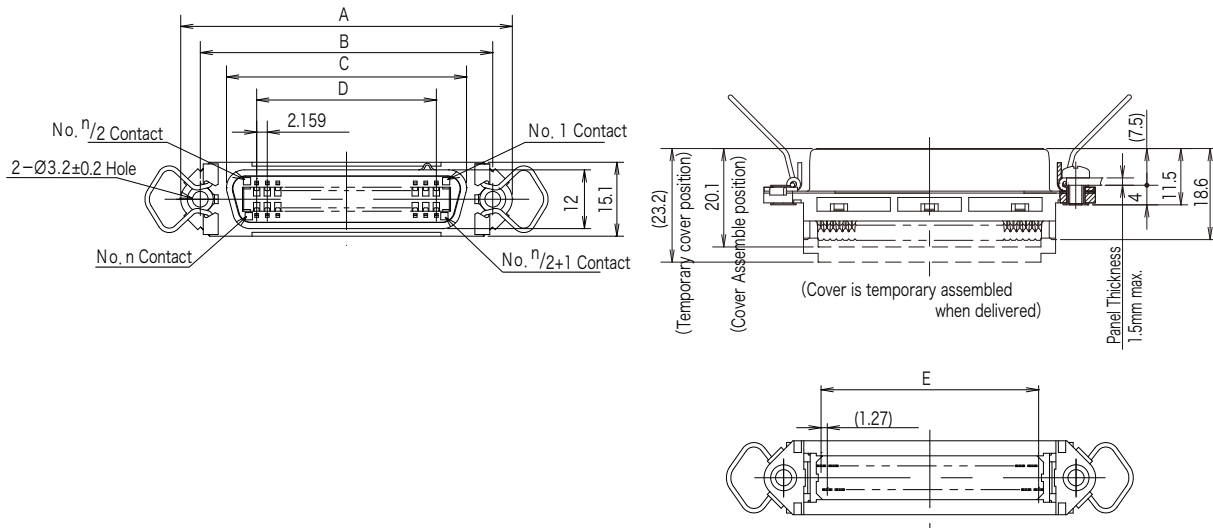
Part Number	Number of Contact	A	B	C
57FE-30140-2xN(D8)-3F(R1)	14	Figure referring (57FE-30140-2xN(D8)-3F)		
57FE-30240-2xN(D8)-3F(R1)	24	48.64	39.8	10.0
57FE-30360-2xN(D8)-3F(R1)	36	61.62	55.0	12.0
57FE-30500-xxN(D8)-3F(R1)	50	76.74	70.4	13.0

© Specifications and/or dimensions in this catalog are subject to change without notice. Please verify the latest specifications with our drawings.

▶ Panel Receptacle

57FE-40360-20S

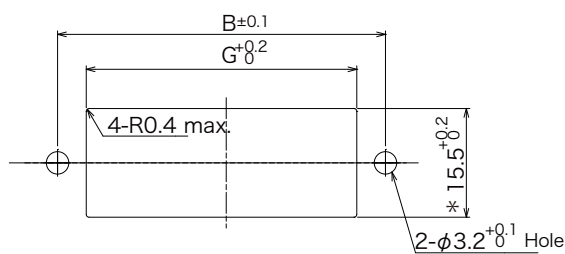
Number of Contact : 14, 24, 36, 50	Strain Relief No Digit : None S : With Plastic Strain Relief
Contact Plating 2 : Au0.4 μ m over Ni Plating	Cover Style 0 : Open-ended Cover, Blue A : Close-ended Cover, Blue(for 14,24 and 36 pin only)



Number of Contact	A	B	C	D	E
14	44.0	36.00	25.4	12.954	16.51
24	54.78	46.78	36.2	23.749	29.21
36	67.74	59.74	49.0	36.703	44.45
50	82.85	74.85	64.2	51.816	62.23

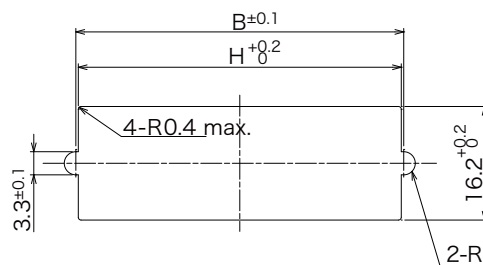
■ Panel Mounting Dimensions

● Front Mounting Type



● Rear Mounting Type

Panel Thickness : 1.6mm max.



\* : When the mating connector is 57FE-10 type, the size is 16.2<sup>+0.2</sup><sub>0</sub>.

Number of Contact	B	G	
		Without Strain Relief	with Strain Relief
14	36.00	23.7	25.6
24	46.78	36.8	38.7
36	59.74	52.0	53.9
50	74.85	69.0	70.9

Number of Contact	B	H
14	36.00	35.30
24	46.78	46.08
36	59.74	59.04
50	74.85	74.15

© Specifications and/or dimensions in this catalog are subject to change without notice.  
Please verify the latest specifications with our drawings.

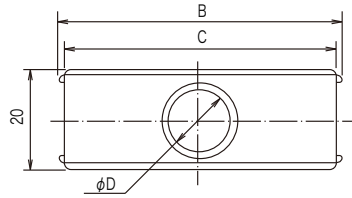
▶ Straight Metal Hood

57F-14H-3R(R1)

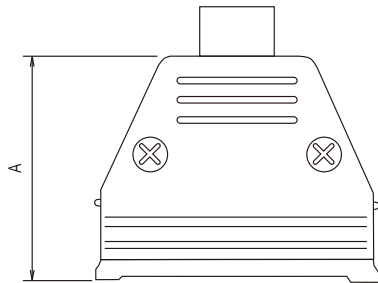
Number of Contact : 14, 24, 36, 50

3R : Trivalent Chromium Free

H : Straight Hood



Number of Contact	A	B	C	D
14	40.0	33.20	30.0	8.5
24	45.5	44.00	39.8	10.0
36	45.5	57.00	55.0	12.0
50	45.5	72.10	70.9	13.0



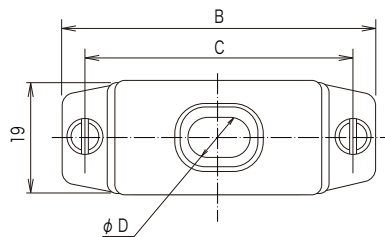
▶ Straight Plastic Hood with Lock Screw

57FE-24H-CF(R1)

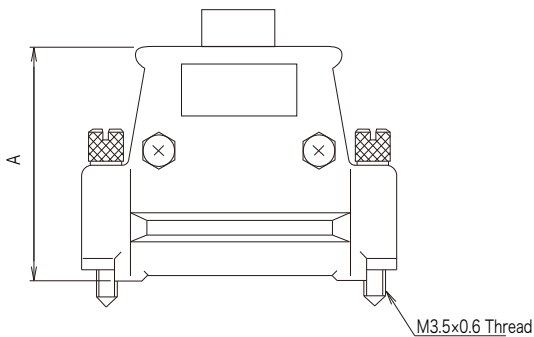
Number of Contact : 24, 36, 50

CF : Cadmium Free

H : Straight Hood



Number of Contact	A	B	C	D
24	41	53.0	46.78	10
36	44	68.0	59.74	12
50	44	83.0	74.85	13

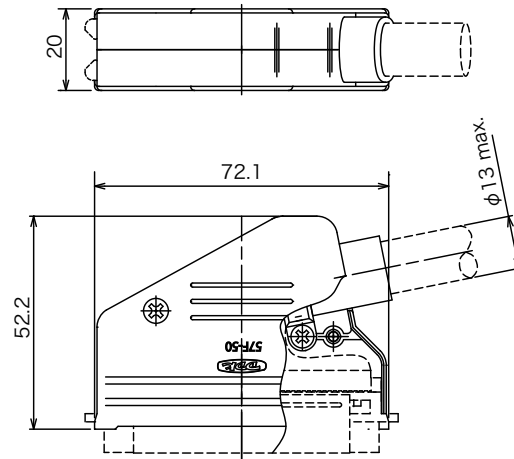


© Specifications and/or dimensions in this catalog are subject to change without notice.  
Please verify the latest specifications with our drawings.

## ▶ Right Angle Hood

### 57F-50LH-3R(R1)

for 50 Contacts



## ▶ Strain Relief

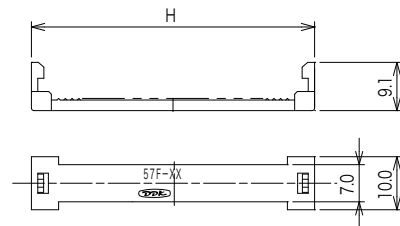
### Plastic Strain Relief

#### 57F-50-041

Number of Contact : 14, 24, 36, 50

· Material / Finish : Polycarbonate Resin (UL94V-0) / Blue

Number of Contact	H
14	25.1
24	38.2
36	53.4
50	70.4



## ▶ Assembly Tools

- Cable Cutting Tool : 357J-4256
- Press Tool : 357J-4674D Attachment 357J-4668