

# NANABOSHI

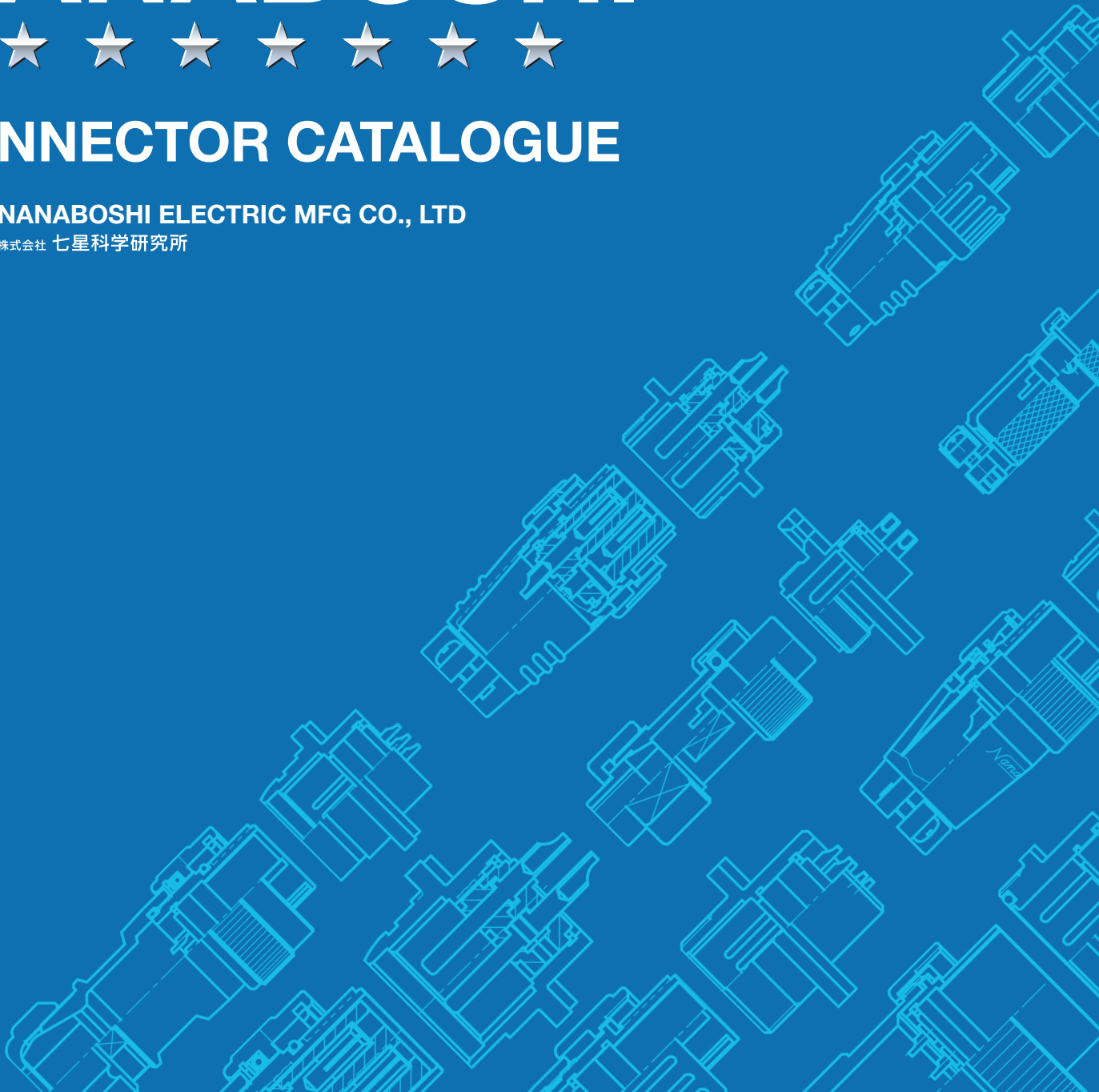


## CONNECTOR CATALOGUE



NANABOSHI ELECTRIC MFG CO., LTD

株式会社 七星科学研究所



# Foreword

The communication network system that supports advanced information society sees rapidly advancing technological innovation and electronic equipment such as computers and automated equipment that play the central role in the network system show remarkable advancement. In response to an increasing speed and capacity of information communication, electrical connections have come to play a more important role and become more complicated and sophisticated such as seen in unitization of equipment. Make them compact in orderly manner, control safety and build smooth flow of information; these are the roles of connectors. Since its establishment in 1943, Nanaboshi Electric Mfg. has been a reliable partner of users and promoted an expansion of product lineup, not to mention quality control. We put our capability and resources in supporting ever developing information society to further advance technological innovation.

## Creed

With Our Whole Heart

## Management Policy

To ensure eternal prosperity of Nanaboshi Electric Mfg., preserve the global environment and contribute to the development of society, we have set up the following as our management policy:

1. Create reliable products with customers' heart kept in our mind.
2. Keep creativity and value the spirit of inquiry to develop products that are appreciated by customers.
3. Maintain the spirit of better, faster and more reliable to cultivate our creativity and originality.
4. Keep our hearts connected and turn over a new leaf each day to create a worthwhile work environment.
5. Value global resources and energy and never lose our attention to environment in developing and making products.

Advantages of using connectors

**Safety**  
**Operability**  
**Economy**

- ▶ Connectors provide reliable electrical connection.  
Connectors ensure proper wiring.
- ▶ Connectors are repetitively detachable and attachable.  
Connectors make equipment-to-equipment connection easy.
- ▶ Connectors enable the unitization of devices.  
Connectors facilitate maintenance and inspection.  
Connectors shorten work time.

**Please read prior to use.**

The information contained in this catalog is subject to change without notice for the purpose of product improvement.

The drawings and photos that appear in the catalog show only the representative products in the applicable product category. When you require more information, please contact us.

**Note: The dimensions shown in the catalog are standard dimensions. For details, please contact us and request necessary specifications and drawings.**

It is prohibited to reproduce, duplicate, transfer, store on tape or in a file this document in whole or in part without our permission to an extent exceeding the scope allowed by the Copyright Act.

# Contents

## Foreword

Foreword .....	2	Shapes and Combination of Connectors .....	5
Contents .....	3	Product Lineup .....	6
Precautions .....	4		

## Products

Water proof    RoHS

N C S .....	8	●	
N J C .....	26	●	
N R .....	40	●	
N E T .....	48	●	
N W P C .....	58	●	●
N J W .....	76	●	●
N A W .....	94	●	●
N R W .....	104	●	●
N E W .....	114	●	●
N T .....	122	●	●

● : Supported

## Technical Data

A List of Standards Acquired ( UL • CSA Standards, TÜV Standard ) .....	127	AWG Conversion Table .....	135
Explanation of Terms ( Shell size, limit operating voltage, etc. ) .....	131	Parallel Pipe Thread Conversion Table .....	135
Installation Dimensions .....	132		

Wire connecting methods, wire stripping dimensions and weight can be found in our website.

### 【 CE Marking 】

The CE Marking applies to finished products and devices to indicate that they comply with the European safety standards. This CE Marking is not applicable to connectors that are electrical & mechanical components.

### 【 EU RoHS 】

The compliance of EU RoHS subject ten substances ( mercury , lead , hexavalentchrome , cadmium , PBB ,PBDE , DEHP , BBP , DBP , DIBP ) enacted from July 2019 will correspond from production in July 2018.

### 【 RoHS Directive 】

The RoHS Directive has been established by the EU ( European Union ) with an objective to protect human health and define collection and treatment of electrical and electronic equipment that does not affect environment by unifying laws and regulations concerning the restriction of use of harmful substances in electrical and electronic equipment among EU member countries.

The Chinese version RoHS Directive that has come into force in the People's Republic of China covers the same substances as the EU-RoHS Directive but there are some differences such as the obligation of indication of information about contained substances.

Our RoHS Directive compliant product types are those that are compliant with the EU-RoHS Directive, but not with the Chinese version RoHS Directive.

# Precautions

## 1. When Selecting Connectors



- (1) Select a connector that meets your voltage and current requirements.
- (2) Select a connector that is suitable for the method of use, place of use and operating environment.
- (3) Select a connector that has a socket contact incorporated on the power supply side.
- (4) Select a waterproof cable packing that is suitable for the finishing OD of the cable to use.  
( The waterproof connector is waterproofed when coupled. )
- (5) Select a cable of structure that does not damage the close contact with the cable packing ID part when the cable clamp ( clamp nut ) is tightened.

## 2. When Installing Connectors



- (1) Prior to starting connection work, be sure to read and understand the "wire connecting method."
- (2) Do not heat the contact more than necessary.
- (3) Never modify the connector. A modified connector may lose its intended performance.
- (4) Do not use the connector in such a way that undue force is applied to the connections.
- (5) Show the precautions listed in the following "3. When Using Connectors "in instruction manuals of associated equipment as needed.
- (6) Install connectors so that they will not suffer undue loading by the weight of cables.

## 3. When Using Connectors



- (1) Be sure to use the connector within its rated capacity.
- (2) Never insert or extract the connector when energized. Such a practice is very dangerous.
- (3) Never insert or extract the connector with wet hands. Such a practice is very dangerous.
- (4) When coupling the connector, always check the guide position and never apply undue force.
- (5) Insert and extract the connector straight.
- (6) Do not use the connector with damaged insulator or cover.
- (7) Do not use the connector with deformed or damaged contact.
- (8) Do not insert a foreign matter or a pin contact having a different OD into the socket contact.
- (9) The connectors are constructed with projecting or exposed threads. When handling the connectors, exercise caution so that your hands will not be cut by them.
- (10) When the connector is not coupled, use a cap to protect its contact.
- (11) When inserting or extracting the connector, do not turn the connector body.
- (12) Do not apply undue force to the connector.
- (13) Our products have no compatibility with other maker's products.

The guarantee is not applicable to any trouble incurred by connecting our products with other maker's products.

## 4. When Ordering Connectors

- (1) When a quality assurance program exists that is specific to a particular industrial field where connectors are to be used, or when connectors are to be used in advanced applications such as nuclear power control systems, aerospace equipment, submarine relay and medical life support instruments, equipment and systems, please consult with us in advance.


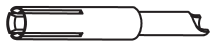
When using products listed in this catalog, follow the laws and regulations that apply to your purposes of use of connectors.



# Shapes and Combination of Connectors

## Contact shapes

- There are two types of contacts incorporated into a connector male shape and female shape.

Pin ( male shape ) contact		M ( e.g. : PM , RM , AdM )
Socket ( female shape ) contact		F ( e.g. : PF , RF , AdF )

**< S Type >** A group of plugs with socket (female) contact incorporated and receptacles and adapters that couple with them.

Shape

- Plugs with socket ( female ) contact incorporated ..... P , PF , LP , LPF , GP , GPF , SP , SPF , PFK
- Receptacles with pin ( male ) contact incorporated ..... R , RM , R kaku , CRM , RBM , RBP
- Adapters with pin ( male ) contact incorporated ..... Ad , AdM , Ad(F) , Ad(F)M , AdMK , Ad(F)MK , GAd , GAdM , GAd(F)M

**< G Type >** A group of plugs with pin ( male ) contact incorporated and receptacles and adapters that couple with them.

Shape

- Plugs with pin ( male ) contact incorporated ..... PM , LPM , GPM , SPM , PMK
- Receptacles with socket ( female ) contact incorporated ..... RF , RF kaku , CRF , RBF
- Adapters with socket ( female ) contact incorporated ..... AdF , AdF(F) , Ad(F)F , AdFK , Ad(F)FK , GAdF , GAd(F)F

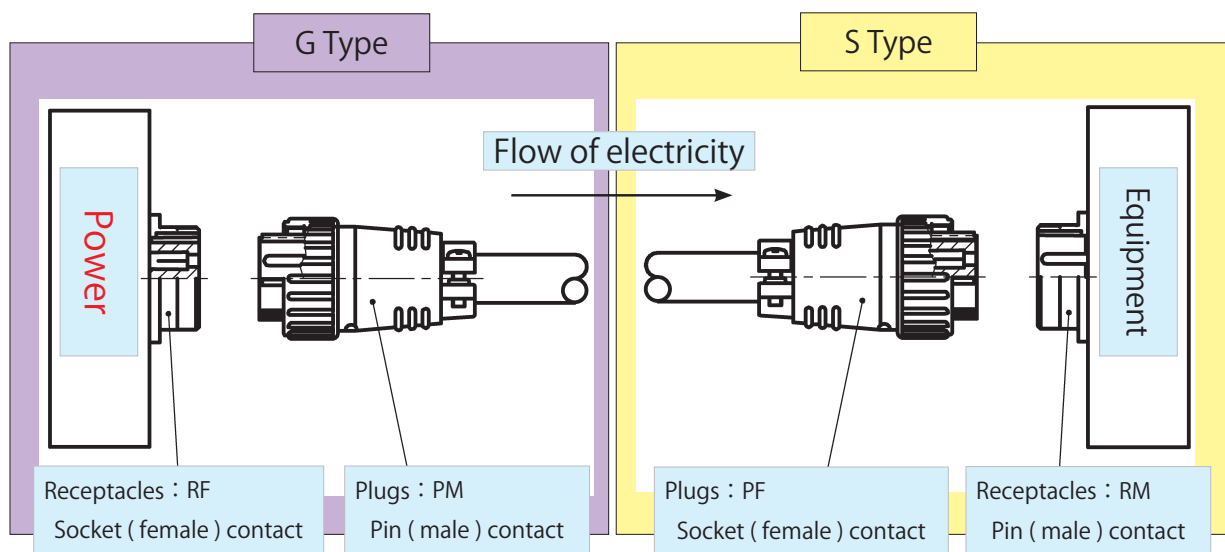
\* The S Type of [ NCS ] and [ NWPC ] Series in all shapes of PF, RM, AdM, etc. is indicated simply by P, R, Ad, etc. with the contact shape symbol omitted.

( Plugs : PF → P , Receptacles : RM → R , Adapters : AdM → Ad , Adapters with flange : AdM(F) → Ad(F) )

\* Only with [ NCS ] and [ NWPC ] Series, the adapters with flange are designated by the contact symbol placed before (F).

Example: AdF(F)

※ Caution: The S Type and the G Type cannot be coupled.












Inserting or pulling out the connector in conduction is very dangerous. Be sure to turn off the power in advance.



The pin contact type has an **exposed electrode**. If it is used on the [ power supply ] side, it may cause **electric shock** or **short-circuit accidents**. To prevent such accidents, use the socket contact type on the [ power supply ] side and the pin contact type on the [ equipment ] side.

# Product Lineup

<p><b>NCS</b></p>  <p>Most standard connectors in Nanaboshi products Safety standard certified products available</p>	<p>Non-waterproof</p> <p>RoHS</p> <p><b>P 8</b></p>	<p><b>NJC</b></p>  <p>JIS C 5432 compliant connectors Safety standard certified products available</p>	<p>Non-waterproof</p> <p>RoHS</p> <p><b>P 26</b></p>
<p><b>NR</b></p>  <p>Quick lock type of NJC Series Safety standard certified products available</p>	<p>Non-waterproof</p> <p>RoHS</p> <p>Quick lock</p> <p><b>P 40</b></p>	<p><b>NET</b></p>  <p>safety standard certified power connectors</p>	<p>Non-waterproof</p> <p>RoHS</p> <p><b>P 48</b></p>
<p><b>NWPC</b></p>  <p>Waterproof connectors based on NCS Series Safety standard certified products available</p>	<p>Waterproof</p> <p>RoHS</p> <p><b>P 58</b></p>	<p><b>NJW</b></p>  <p>Waterproof connectors based on NJC Series Safety standard certified products available</p>	<p>Waterproof</p> <p>RoHS</p> <p><b>P 76</b></p>
<p><b>NAW</b></p>  <p>Metallic quick lock waterproof connectors Safety standard certified products available</p>	<p>Waterproof</p> <p>RoHS</p> <p>Quick lock</p> <p><b>P 94</b></p>	<p><b>NRW</b></p>  <p>Resin quick lock waterproof connectors Safety standard certified products available</p>	<p>Waterproof</p> <p>RoHS</p> <p>Quick lock</p> <p><b>P 104</b></p>
<p><b>NEW</b></p>  <p>safety standard certified waterproof connectors</p>	<p>Waterproof</p> <p>RoHS</p> <p>Quick lock</p> <p><b>P 114</b></p>	<p><b>NT</b></p>  <p>Waterproof &amp; oilproof connectors for machine tools</p>	<p>Waterproof</p> <p>RoHS</p> <p><b>P 122</b></p>

A series of horizontal dotted lines for writing.

# NCS Series



Non-waterproof

RoHS

Safety standard certified products available

## Overview

- Basic type of round metal connectors.
- Representative series that has proven performance in various indoor manufacturing equipment over a long period of time.
- High resistance to starting current and load current, enabling these connectors active in various manufacturing equipment.

## Feature

RoHS	RoHS Directive compliant
Waterproof	Non
Lock method	Thread lock
Features of mechanism/ material	<ul style="list-style-type: none"> <li>○ Simple structure, easy handling and robust.</li> <li>○ Ten shell sizes and many connector shapes available for a wide variety of applications.</li> </ul>
Standards	<ul style="list-style-type: none"> <li>○ &lt; CSA NRTL/C &gt; standard certified connectors available. ( CSA : C22.2 No.182.3 UL : 1977 )</li> </ul> <p><small>Note: The specifications of safety standard certified connectors are slightly different from those of standard products. For the rated voltage, current and cable conductor cross sectional area, refer to A List of Standards Acquired ( p.129 ).</small></p>
Cable termination	Soldering

## Characteristics

Insulation resistance , Withstand voltage , Contact resistance p.10



The pin contact type has an **exposed electrode**. If it is used on the [ power supply ] side, it may cause **electric shock** or **short-circuit accidents**. To prevent such accidents, use the socket contact type on the [ power supply ] side and the pin contact type on the [ equipment ] side.

[ When inserting or extracting the connector, do not turn the connector body. ]

# NCS Series

## Product No. designation

**NCS - 25 ■ - P M**

① ② ③ ④ ⑤ ⑥ ⑦

- ① Series designation
- ② Shell size
- ③ Number of contacts
- ④ Shell shape
- ⑤ Contact shape < Pin ( male ) contact : M , Socket ( female ) contact : F >  
The S Type of NCS Series in all shapes of PF, RM, AdM, etc. is indicated simply by P, R, Ad, etc. with the contact shape symbol omitted.
- ⑥ Additional symbol (-CH) 《 Required only for Shell size 16 》
- ⑦ Safty standard specification( < CSA NRTL/C > )  
 《 Required only when safty standard is to be specified. 》 For applicable products, see p.129.

## Cable termination : Soldering

## Material and Finish

	Material	Finish
Shell	Zinc alloy or brass ( partially aluminum alloy )	Chrome plating Special treatment Tin-cobalt plating ( Shell size 16 only )
Insulator	Synthetic resin	—
Contact	Copper alloy	Shell size 14 , 16 , 25 , 30 : Nickel plating Shell size 40 , 44 , 50 , 54 , 60 , 64 : Silver plating Shell size 30 ( Number of contacts 7H , 13 ) : Gold plating

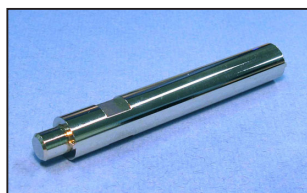
## Temperature tolerance level

-40°C to +120°C

## Exclusive tools ( optional ) : Contact wrench, soldering iron tip set

The contacts of rated current 80 A or over are constructed for removal from the insulator.  
 For soldering, remove the contact with a contact wrench.

### 《 Types of contact wrenches 》



**80A Contact Wrench**

Used for:

NCS · NWPC-502 / 542  
 NCS · NWPC-503 / 543  
 NCS · NWPC-604 / 644

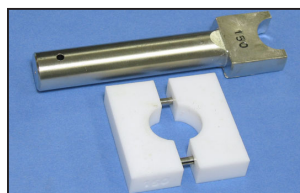


**150A Contact Wrench**

Used for:

NCS · NWPC-602 / 642  
 NCS · NWPC-603 / 643

### 《 Soldering iron tip set 》



Usable soldering iron 200 W  
 Iron tip inserting diameter  $\phi$  16 mm or over  
 Iron tip temperature setting 420°C to 450°C

Set name \* A set of iron tip and heat insulator.

For 80A contact → SS80-KB

For 150A contact → SS150-KB

They are also available individually.

For 80A contact

【 Iron tip → SS80-K 】 【 Heat insulator → SS80-B 】

For 150A contact

【 Iron tip → SS150-K 】 【 Heat insulator → SS150-B 】

### 【 80A Contact Wrench, 150A Contact Wrench 】

One tool is usable for installation and removal of a male and female contact.

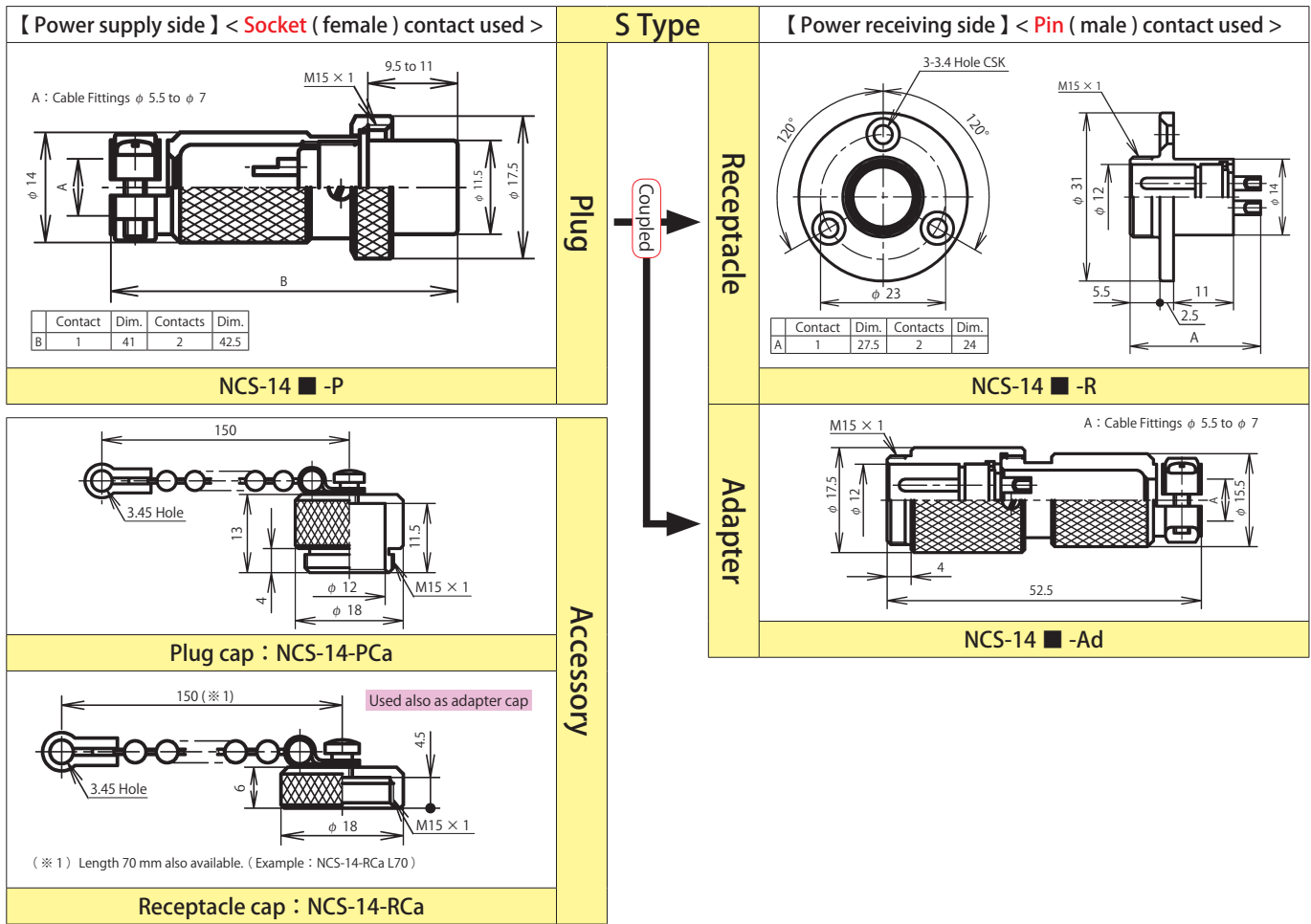
# NCS Series Characteristics

Shell size	Contact	Insulation resistance ( M Ω )		Contact resistance ( m Ω )		Withstand voltage ( V r.m.s. )					
		S Type	G Type	S Type	G Type	S Type	G Type				
		Number of contacts									
14	1	DC 500V 2,000 min.	—	3 max.	—	1,000	—				
	2										
16	1	DC 500V 2,000 min.	—	3 max.	3 max.	1,000	1,000				
	2		DC 500V 2,000 min.								
	3		—								
	4		—								
25	2	DC 1,000V 2,000 min.	DC 1,000V 2,000 min.	3 max.	3 max.	2,000	2,000				
	3										
	4										
	5					1,800	1,800				
	6										
	7										
	8							—	—		
30	2	DC 1,000V 2,000 min.	DC 1,000V 2,000 min.	3 max.	3 max.	2,000	2,000				
	3										
	4										
	5					1,800	1,800				
	6							DC 500V 2,000 min.			
	7							—			
	8							DC 1,000V 2,000 min.			
	7H					DC 500V 2,000 min.	—	—	—	1,500	—
	13										
40 (S Type)	2	DC 1,000V 2,000 min.	DC 1,000V 2,000 min.	3 max.	3 max.	2,500	2,500				
	3										
	4										
	5										
	6					2,000	2,000				
	8										
	10										
	12										
44 (G Type)	16	2,000 min.	2,000 min.	3 max.	3 max.	1,800	1,800				
	20										

Shell size	Contact	Insulation resistance ( M Ω )		Contact resistance ( m Ω )		Withstand voltage ( V r.m.s. )						
		S Type	G Type	S Type	G Type	S Type	G Type					
		Number of contacts										
50 (S Type)	2	DC 1,000V 5,000 min.	DC 1,000V 5,000 min.	1 max.	1 max.	3,000	3,000					
	3											
	4					2,500	2,500					
	8											
	10											
54 (G Type)	15	DC 1,000V 2,000 min.	DC 1,000V 2,000 min.	3 max.	3 max.	2,000	2,000					
	25											
	1,800					1,800						
	60					2	DC 1,000V 2,000 min.	DC 1,000V 2,000 min.	3 max.	3 max.	2,500	2,000
3	DC 1,000V 5,000 min.	—	1 max.	—	3,000	—						
4												
10	1,800	1,500										
15												
30			1,800	1,500								
32												
40	—	—										
64	2	—	DC 1,000V 5,000 min.	—	1 max.	—					3,000	
	3											
	4											

■ includes safety standard certified products.

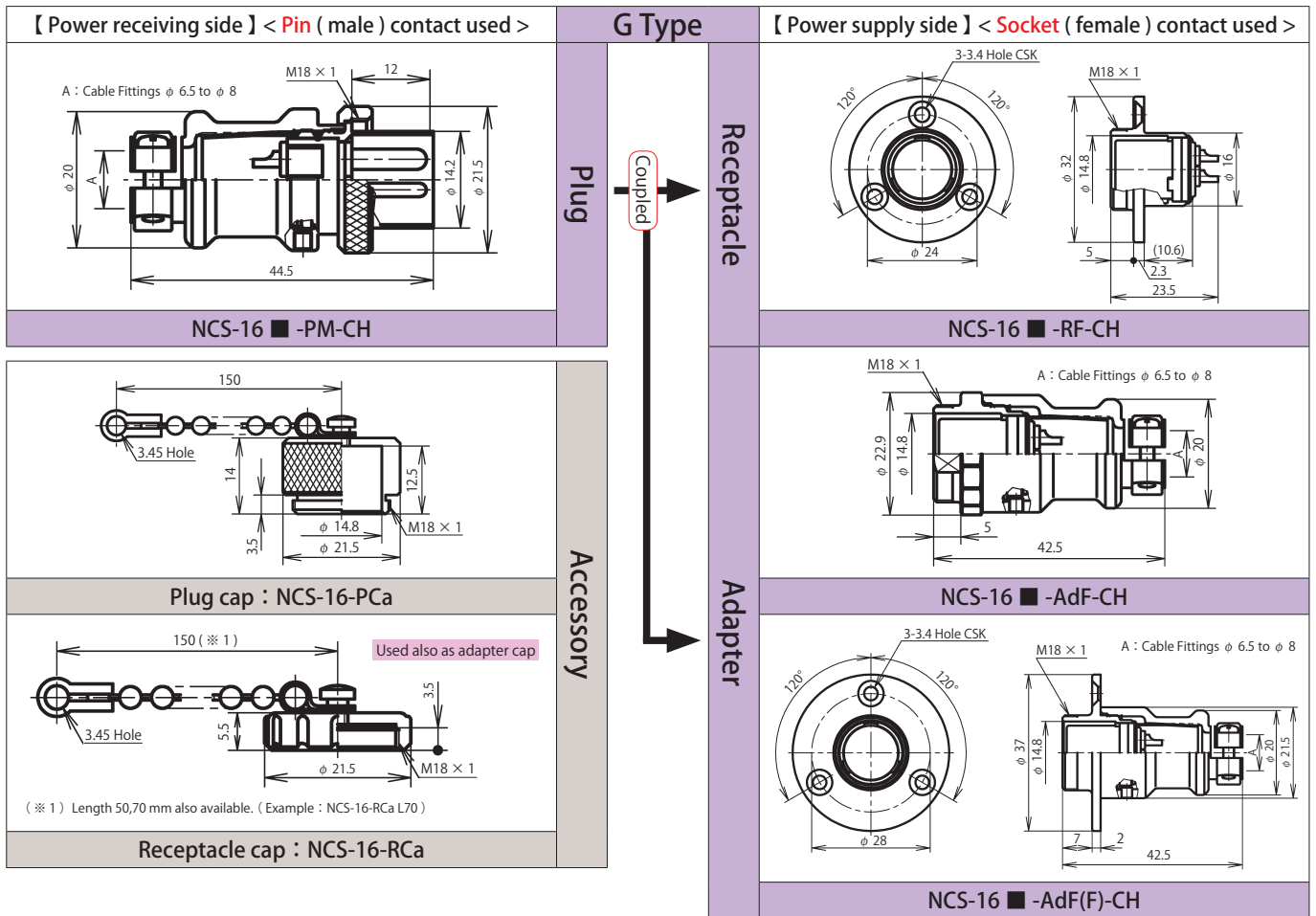




■ indicates the number of contacts. The conductor cross sectional area is less than the following value.

Shell size	Number of Contacts	1	2
14	Contact arrangement <When viewed from the pin (male) contact coupling side>		
	Safety standard	—	
	Rating	125V 5A	
	Limit operating voltage (Note-1)	200V	
	Withstand voltage ( V r.m.s. )	1,000	
	Wire size ( mm <sup>2</sup> )	0.75	

Note-1 : For the limit operating voltage, see p.131.



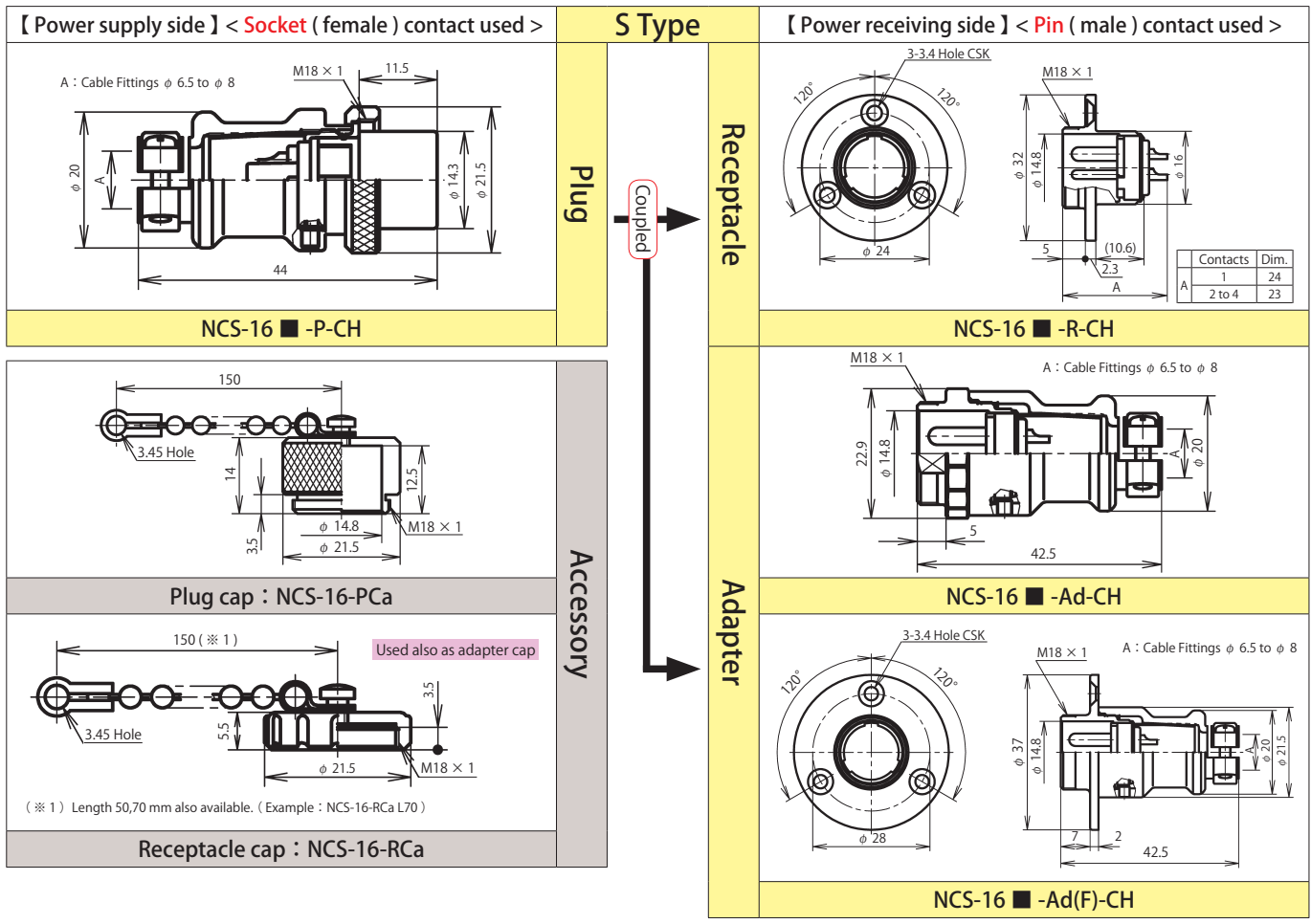
"-CH" is an additional symbol of renewed products. They are interchangeable with products before renewal.

■ indicates the number of contacts. The conductor cross sectional area is less than the following value.

Shell size	Number of Contacts	2	3
16	Contact arrangement <When viewed from the pin (male) contact coupling side>		
	Safety standard	—	
	Rating	125V 5A	
	Limit operating voltage (Note-1)	200V	
	Withstand voltage (V r.m.s.)	1,000	
	Wire size (mm <sup>2</sup> )	0.75	

Note-1 : For the limit operating voltage, see p.131.



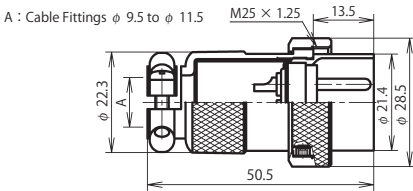
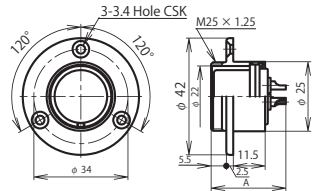
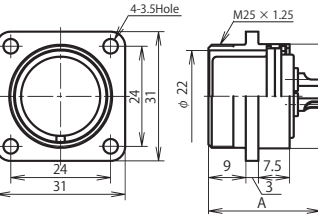
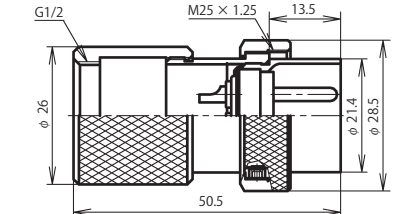
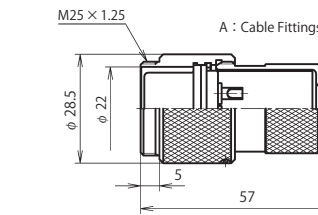
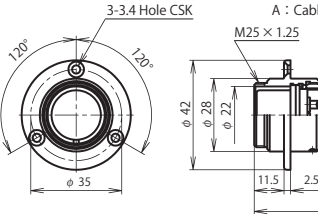
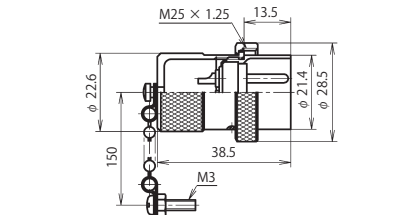
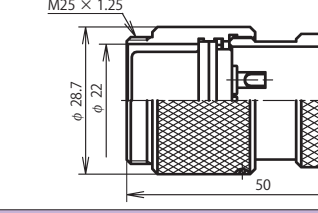
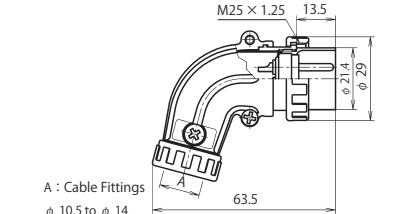
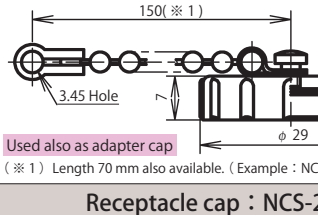
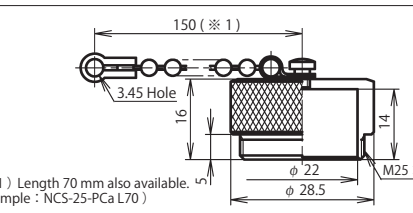
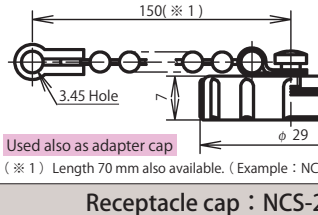


"-CH" is an additional symbol of renewed products. They are interchangeable with products before renewal.

■ indicates the number of contacts. The conductor cross sectional area is less than the following value.


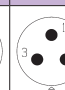
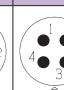
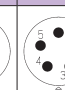
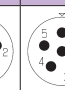
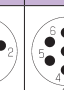
Shell size	Number of Contacts	1	2	3	4
16	Contact arrangement <When viewed from the pin (male) contact coupling side>				
	Safety standard	—			
	Rating	125V 10A	125V 5A		
	Limit operating voltage (Note-1)	200V			
	Withstand voltage ( V r.m.s. )	1,000			
	Wire size ( mm <sup>2</sup> )	1.25	0.75		

Note-1 : For the limit operating voltage, see p.131.

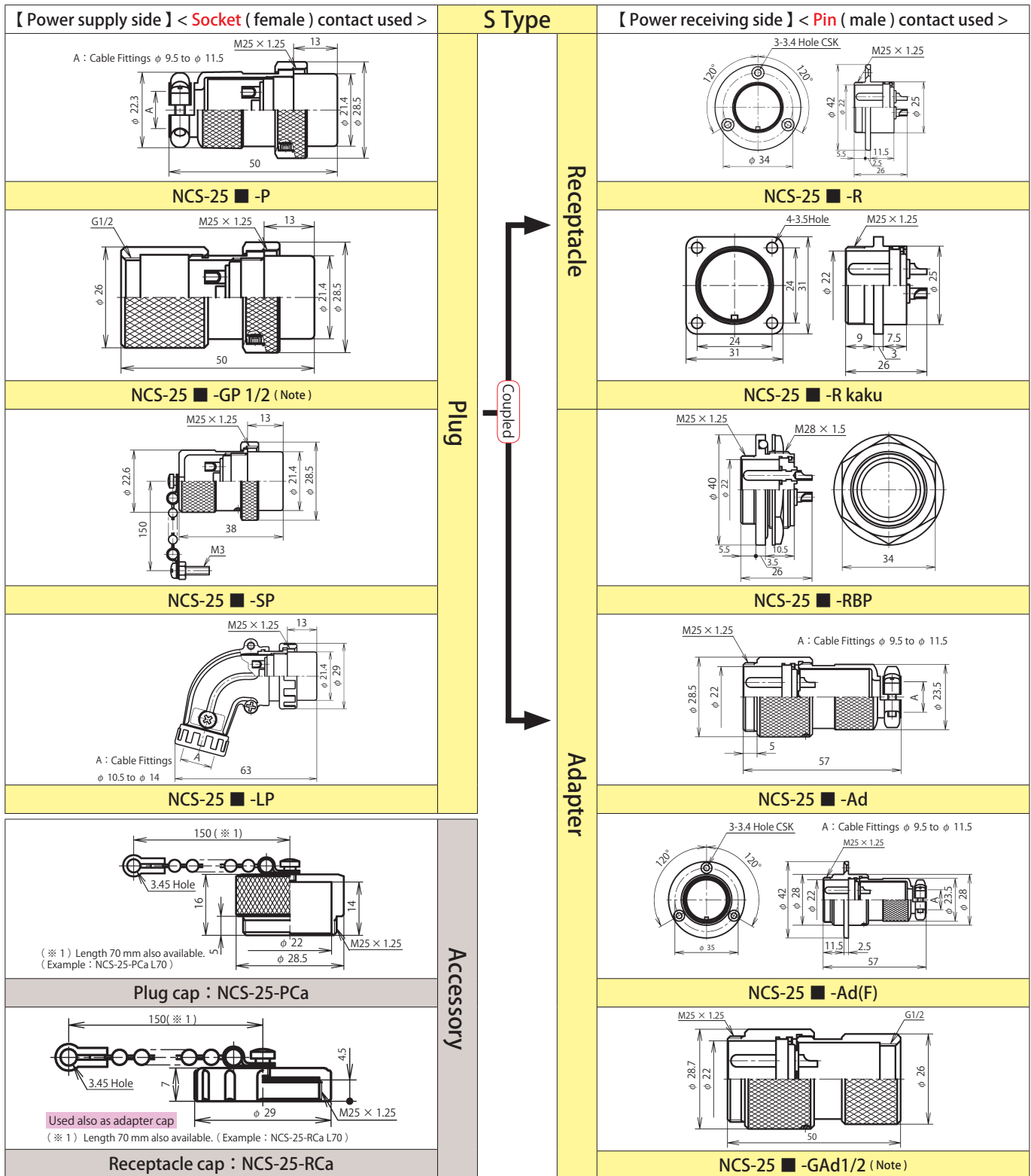
【 Power receiving side 】 < Pin ( male ) contact used >		G Type	【 Power supply side 】 < Socket ( female ) contact used >												
 <p>A : Cable Fittings <math>\phi</math> 9.5 to <math>\phi</math> 11.5</p> <p>M25 <math>\times</math> 1.25 13.5</p> <p><math>\phi</math> 22.3</p> <p><math>\phi</math> 21.4</p> <p><math>\phi</math> 28.5</p> <p>50.5</p>	<b>Plug</b> Coupled <b>Receptacle</b>	 <p>3-3.4 Hole CSK</p> <p>M25 <math>\times</math> 1.25</p> <p>120°</p> <p><math>\phi</math> 42</p> <p><math>\phi</math> 22</p> <p>5.5</p> <p>11.5</p> <p><math>\phi</math> 25</p> <p>A</p> <table border="1"> <tr><th>Contacts</th><th>Dim.</th></tr> <tr><td>2</td><td>26</td></tr> <tr><td>3 to 7</td><td>26.5</td></tr> </table>	Contacts	Dim.	2	26	3 to 7	26.5	 <p>4-3.5Hole</p> <p>M25 <math>\times</math> 1.25</p> <p><math>\phi</math> 22</p> <p>24</p> <p>31</p> <p>24</p> <p>31</p> <p>9</p> <p>7.5</p> <p>3</p> <p>A</p> <p><math>\phi</math> 25</p> <table border="1"> <tr><th>Contacts</th><th>Dim.</th></tr> <tr><td>2</td><td>26</td></tr> <tr><td>3 to 7</td><td>27</td></tr> </table>	Contacts	Dim.	2	26	3 to 7	27
Contacts		Dim.													
2		26													
3 to 7		26.5													
Contacts		Dim.													
2		26													
3 to 7	27														
 <p>G1/2</p> <p>M25 <math>\times</math> 1.25 13.5</p> <p><math>\phi</math> 26</p> <p><math>\phi</math> 21.4</p> <p><math>\phi</math> 28.5</p> <p>50.5</p>	<b>Adapter</b>	 <p>M25 <math>\times</math> 1.25</p> <p>A : Cable Fittings <math>\phi</math> 9.5 to <math>\phi</math> 11.5</p> <p><math>\phi</math> 28.5</p> <p><math>\phi</math> 22</p> <p>5</p> <p>57</p> <p>A</p> <p><math>\phi</math> 23.5</p>	 <p>3-3.4 Hole CSK</p> <p>A : Cable Fittings <math>\phi</math> 9.5 to <math>\phi</math> 11.5</p> <p>M25 <math>\times</math> 1.25</p> <p>120°</p> <p><math>\phi</math> 42</p> <p><math>\phi</math> 28</p> <p><math>\phi</math> 22</p> <p>11.5</p> <p>2.5</p> <p><math>\phi</math> 23.5</p> <p><math>\phi</math> 28</p> <p>57</p>												
 <p>M25 <math>\times</math> 1.25 13.5</p> <p><math>\phi</math> 22.6</p> <p>150</p> <p>38.5</p> <p>M3</p>		 <p>M25 <math>\times</math> 1.25</p> <p>G1/2</p> <p><math>\phi</math> 28.7</p> <p><math>\phi</math> 22</p> <p><math>\phi</math> 26</p> <p>50</p>	 <p>M25 <math>\times</math> 1.25 13.5</p> <p><math>\phi</math> 21.4</p> <p><math>\phi</math> 29</p> <p>A</p> <p>63.5</p> <p>A : Cable Fittings <math>\phi</math> 10.5 to <math>\phi</math> 14</p>	 <p>M25 <math>\times</math> 1.25</p> <p>G1/2</p> <p><math>\phi</math> 28.7</p> <p><math>\phi</math> 22</p> <p><math>\phi</math> 26</p> <p>50</p>											
 <p>150 (※ 1)</p> <p>3.45 Hole</p> <p>16</p> <p>5</p> <p><math>\phi</math> 22</p> <p><math>\phi</math> 28.5</p> <p>M25 <math>\times</math> 1.25</p> <p>14</p>		 <p>150 (※ 1)</p> <p>3.45 Hole</p> <p>7</p> <p>4.5</p> <p><math>\phi</math> 29</p> <p>M25 <math>\times</math> 1.25</p>	<p>Plug cap : NCS-25-PCa</p> <p>(※ 1) Length 70 mm also available. (Example : NCS-25-PCa L70)</p>	<p>Receptacle cap : NCS-25-RCa</p> <p>Used also as adapter cap</p> <p>(※ 1) Length 70 mm also available. (Example : NCS-25-RCa L70)</p>											
<p>Accessory</p>		<p>Accessory</p>													

Note: We show sizes by the nominal "G(PF)" of parallel pipe threads. p.135

■ indicates the number of contacts.  
 The conductor cross sectional area is less than the following value. However, for safety standard certified products, use a cable having a value shown on p.129.

Shell size	Number of Contacts	2	3	4	5	6	7	
25	Contact arrangement <When viewed from the pin (male) contact coupling side>							
	Safety standard (Note-1)	-				CSA NRTL/C		
	Rating	250V 10A				250V 5A		
	Limit operating voltage (Note-2)	400V				300V		
	Withstand voltage (V r.m.s.)	2,000				1,800		
	Wire size (mm <sup>2</sup> )	2				1.25		

Note-1 : Specified separately. For safety standards, see p.129. ( The rated voltage of standard certified products is 265 V. ) Note-2: For the limit operating voltage, see p.131.



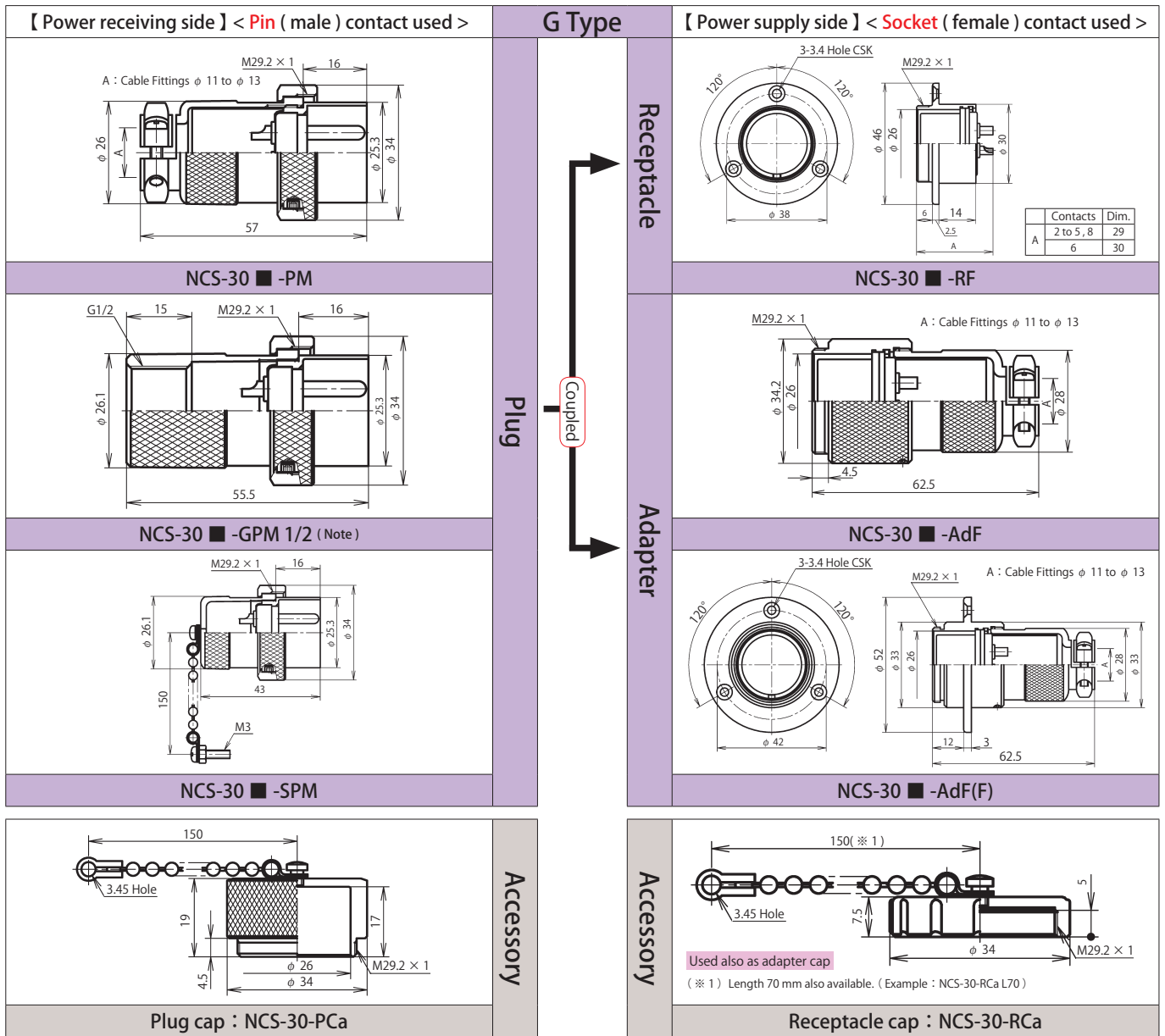
Note: We show sizes by the nominal "G(PF)" of parallel pipe threads. P.135

■ indicates the number of contacts.

The conductor cross sectional area is less than the following value. However, for safety standard certified products, use a cable having a value shown on p.129.

Shell size	Number of Contacts	2	3	4	5	6	7	8	
25	Contact arrangement <When viewed from the pin (male) contact coupling side>								
	Safety standard ( Note-1 )	—					CSA NRTL/C	—	
	Rating	250V 10A					250V 5A		
	Limit operating voltage ( Note-2 )	400V				300V			
	Withstand voltage ( V r.m.s. )	2,000			1,800				
Wire size ( mm <sup>2</sup> )	2					1.25			

Note-1 : Specified separately. For safety standards, see p.129. ( The rated voltage of standard certified products is 265 V. ) Note-2: For the limit operating voltage, see p.131.

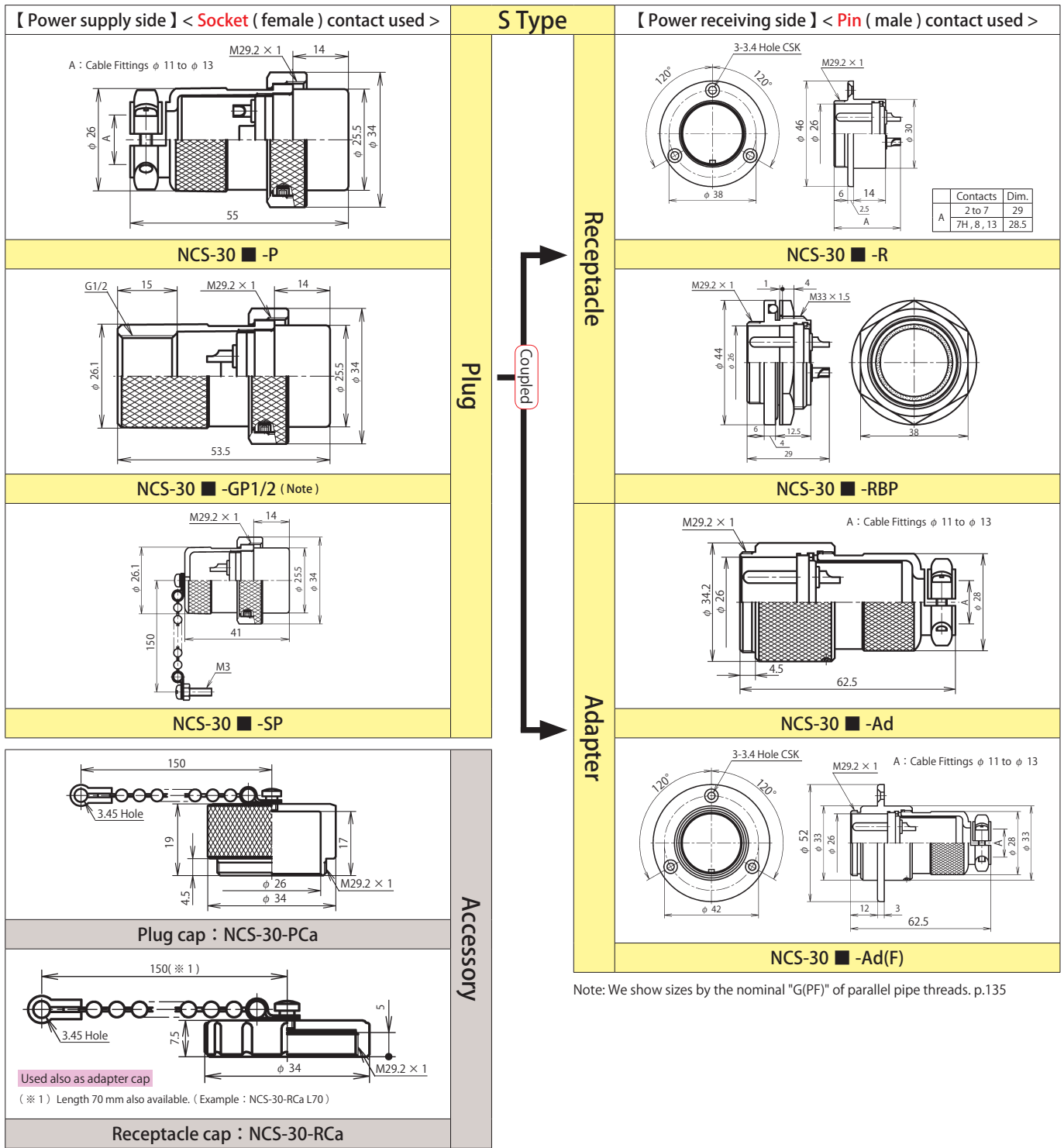


Note: We show sizes by the nominal "G(PF)" of parallel pipe threads. p.135

■ indicates the number of contacts.  
The conductor cross sectional area is less than the following value. However, for safety standard certified products, use a cable having a value shown on p.129.

Shell size	Number of Contacts	2	3	4	5	6	8	
30	Contact arrangement <When viewed from the pin (male) contact coupling side>							
	Safety standard (Note-1)	—	CSA NRTL/C	—	—	—	CSA NRTL/C	
	Rating	250V 15A			250V 10A		250V 5A	
	Limit operating voltage (Note-2)	400V			—		300V	
	Withstand voltage (V r.m.s.)	2,000			1,800			
	Wire size (mm <sup>2</sup> )	2			1.25			

Note-1 : Specified separately. For safety standards, see p.129. ( The rated voltage of standard certified products is 265 V. ) Note-2: For the limit operating voltage, see p.131.



Note: We show sizes by the nominal "G(PF)" of parallel pipe threads. p.135

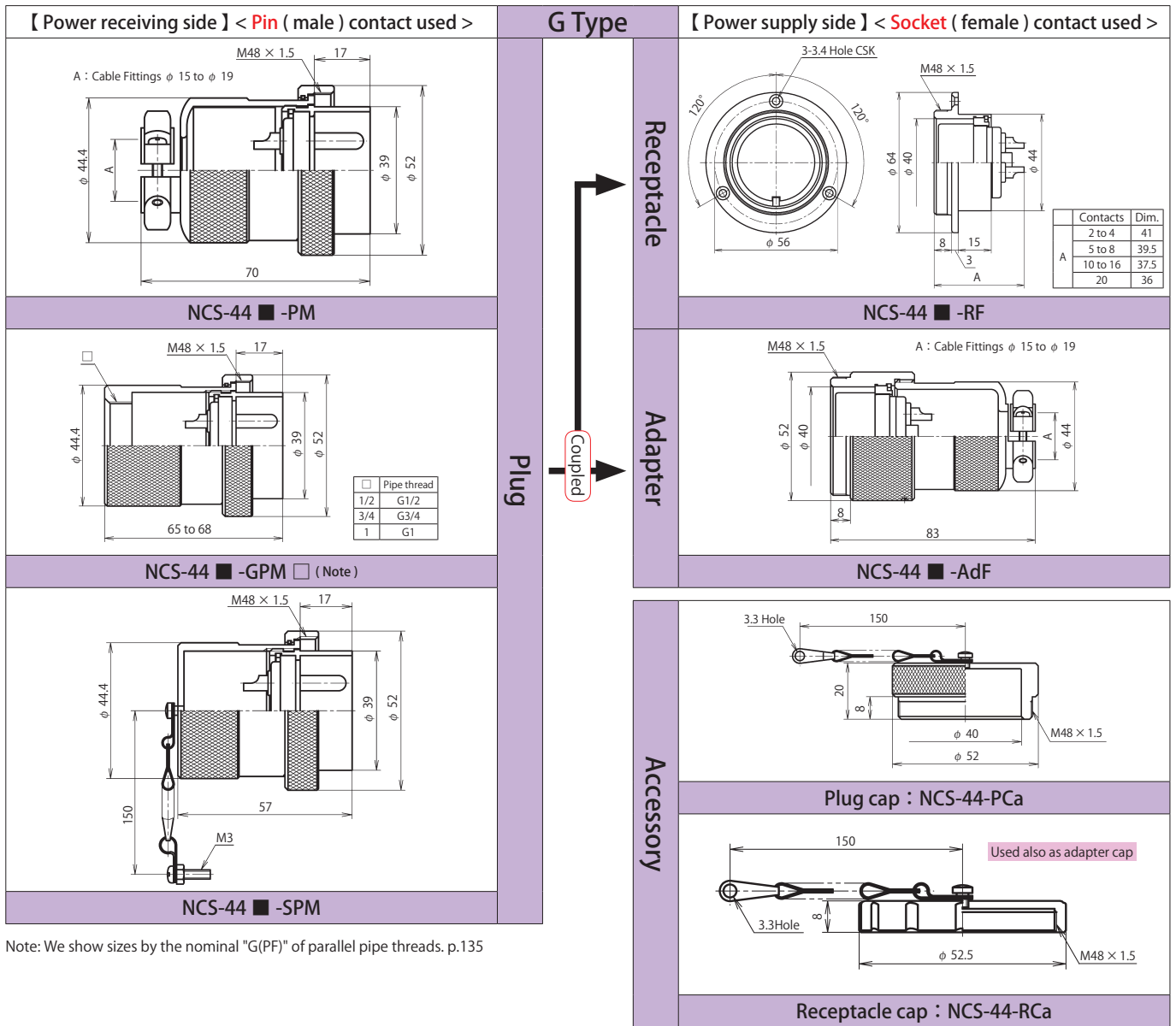
■ indicates the number of contacts.

The conductor cross sectional area is less than the following value. However, for safety standard certified products, use a cable having a value shown on p.129.

[ ] : Gold plating contact

Shell size	Number of Contacts	2	3	4	5	6	7	7H	8	13	
30	Contact arrangement <When viewed from the pin (male) contact coupling side>										
	Safety standard (Note-1)	—	CSA NRTL/C			—			CSA NRTL/C	—	
	Rating	250V 15A						250V[ 7A ]		250V10A	250V[ 5A ]
	Limit operating voltage (Note-2)	400V						—		300V	—
	Withstand voltage (V r.m.s.)	2,000			1,800			1,500	1,800	1,500	
Wire size (mm <sup>2</sup> )	3.5	2			1.25		2	1.25			

Note-1 : Specified separately. For safety standards, see p.129. (The rated voltage of standard certified products is 265 V.) Note-2 : For the limit operating voltage, see p.131.

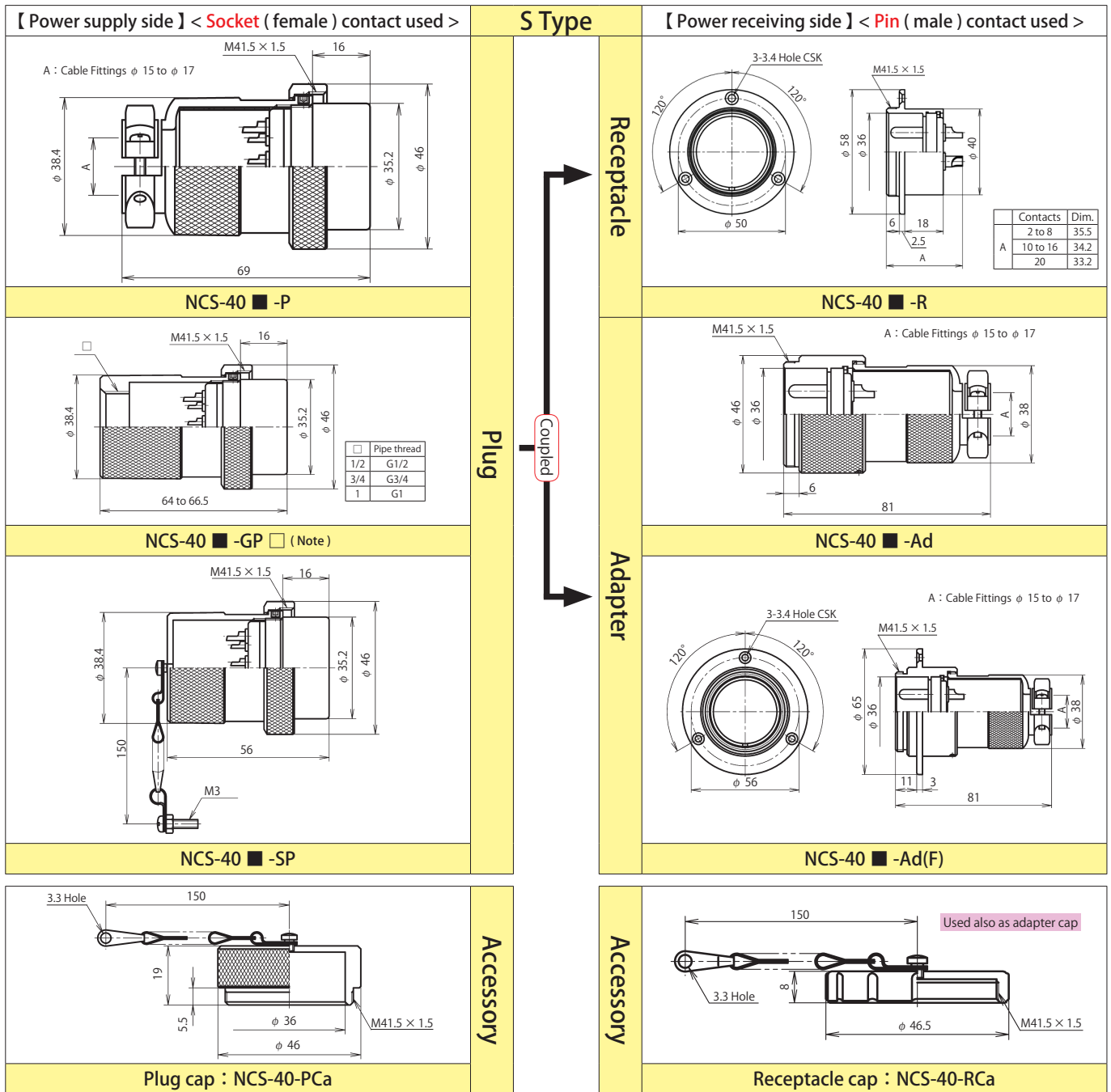


Note: We show sizes by the nominal "G(PF)" of parallel pipe threads. p.135

■ indicates the number of contacts.  
The conductor cross sectional area is less than the following value. However, for safety standard certified products, use a cable having a value shown on p.129.

Shell size	Number of Contacts	2	3	4	5	6	8	10	12	16	20	
44	Contact arrangement <When viewed from the pin (male) contact coupling side>											
	Safety standard (Note-1)	—						CSA NRTL/C	—	CSA NRTL/C		
	Rating	250V 30A			250V 20A			250V 3pcs=10A 7pcs= 5A	250V 3pcs=10A 9pcs= 5A	250V 3pcs=10A 13pcs= 5A	250V 5A	
	Limit operating voltage (Note-2)	500V			400V			300V				
	Withstand voltage (V r.m.s.)	2,500			2,000			1,800				
Wire size (mm <sup>2</sup> )	5.5						3pcs=2 7pcs=1.25	3pcs=2 9pcs=1.25	3pcs=2 13pcs=1.25	1.25		

Note-1 : Specified separately. For safety standards, see p.129. ( The rated voltage of standard certified products is 265 V. ) Note-2: For the limit operating voltage, see p.131.



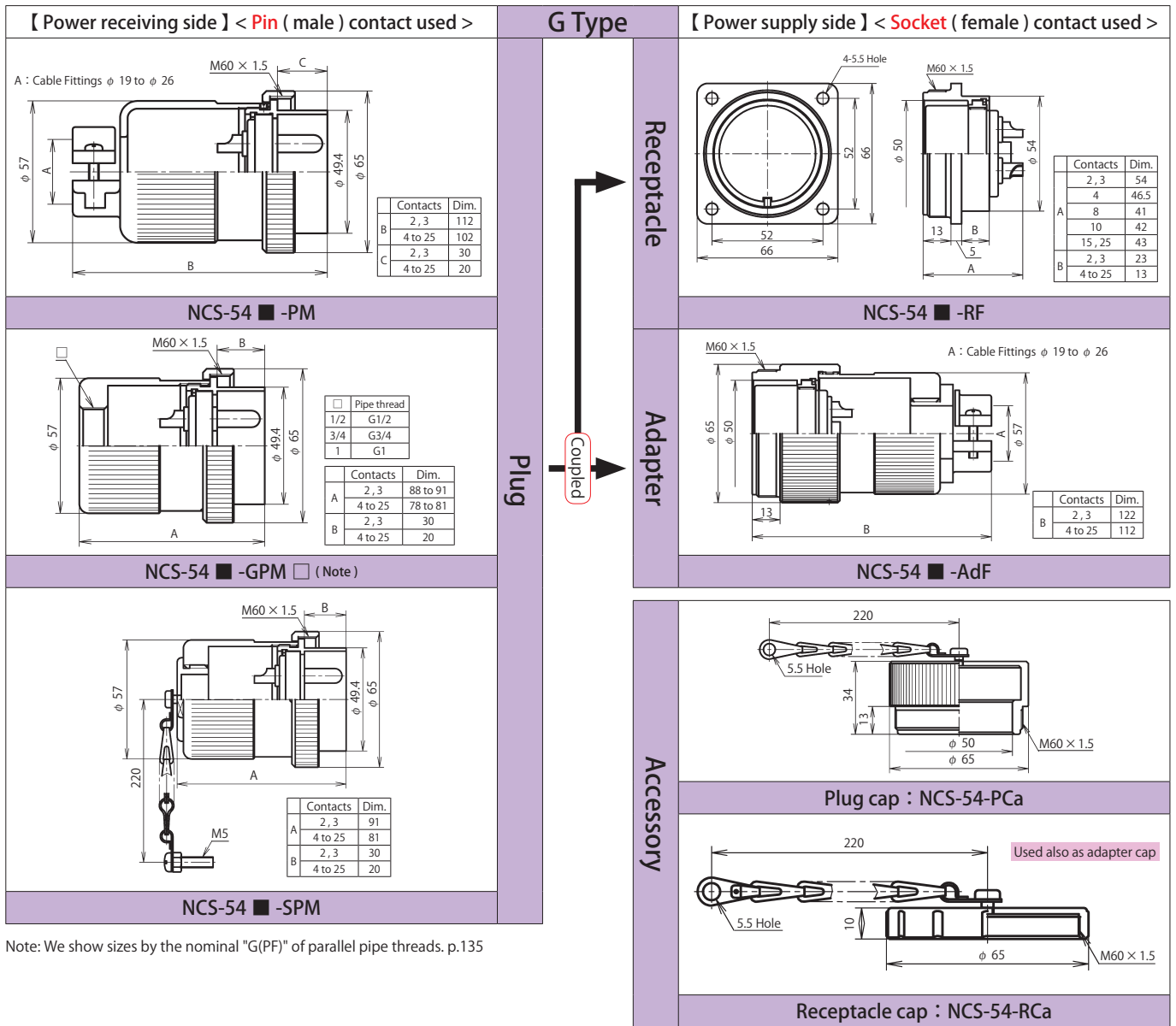
Note: We show sizes by the nominal "G(PF)" of parallel pipe threads. p.135

■ indicates the number of contacts.  
The conductor cross sectional area is less than the following value. However, for safety standard certified products, use a cable having a value shown on p.129.

Shell size	Number of Contacts	2	3	4	5	6	8	10	12	16	20	
40	Contact arrangement <When viewed from the pin (male) contact coupling side>											
	Safety standard (Note-1)	—					CSA NRTL/C	—	CSA NRTL/C			
	Rating	250V 30A			250V 20A			250V	250V	250V	250V 5A	
	Limit operating voltage (Note-2)	500V			400V			300V				
	Withstand voltage (V r.m.s.)	2,500			2,000			1,800				
Wire size (mm <sup>2</sup> )	5.5						3pcs=2	3pcs=2	3pcs=2	1.25		
							7pcs=1.25	9pcs=1.25	13pcs=1.25			

Note-1 : Specified separately. For safety standards, see p.129. ( The rated voltage of standard certified products is 265 V. ) Note-2: For the limit operating voltage, see p.131.



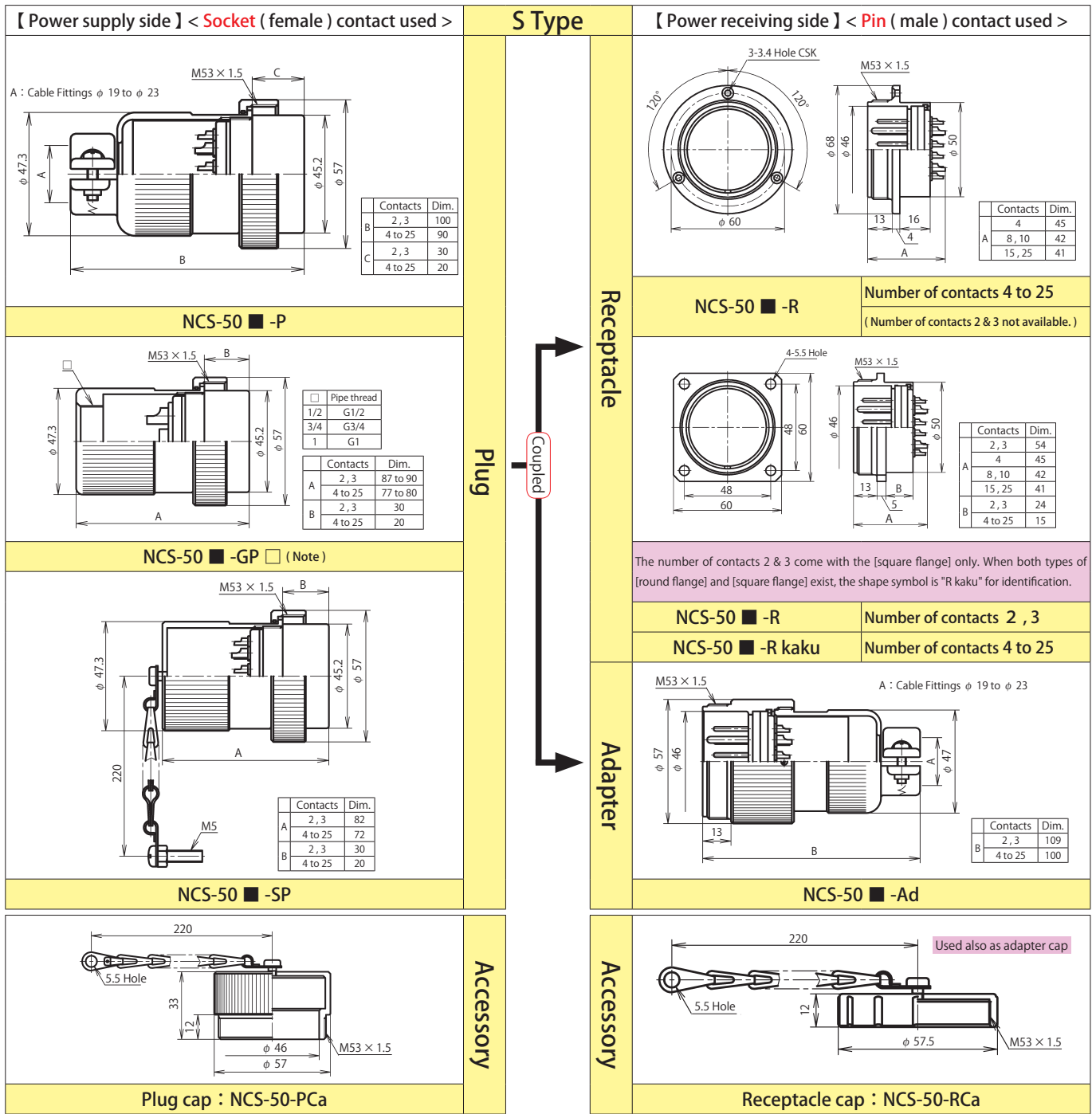


■ indicates the number of contacts.  
 The conductor cross sectional area is less than the following value. However, for safety standard certified products, use a cable having a value shown on p.129.

Shell size	Number of Contacts	2	3	4	8	10	15	25	
54	Contact arrangement <When viewed from the pin (male) contact coupling side>								
	Safety standard (Note-1)	—				CSA NRTL/C			
	Rating	500V 80A	250V 50A	250V 25A	250V 20A	250V 15A	250V	4pcs=15A 21pcs= 5A	
	Limit operating voltage (Note-2)	600V	500V	400V	300V				
	Withstand voltage (V r.m.s.)	3,000	2,500	2,000		1,800			
	Wire size (mm <sup>2</sup> )	30	14	3.5		4pcs=3.5 21pcs=2			

Note-1 : Specified separately. For safety standards, see p.129. ( The rated voltage of standard certified products is 265 V. ) Note-2: For the limit operating voltage, see p.131.





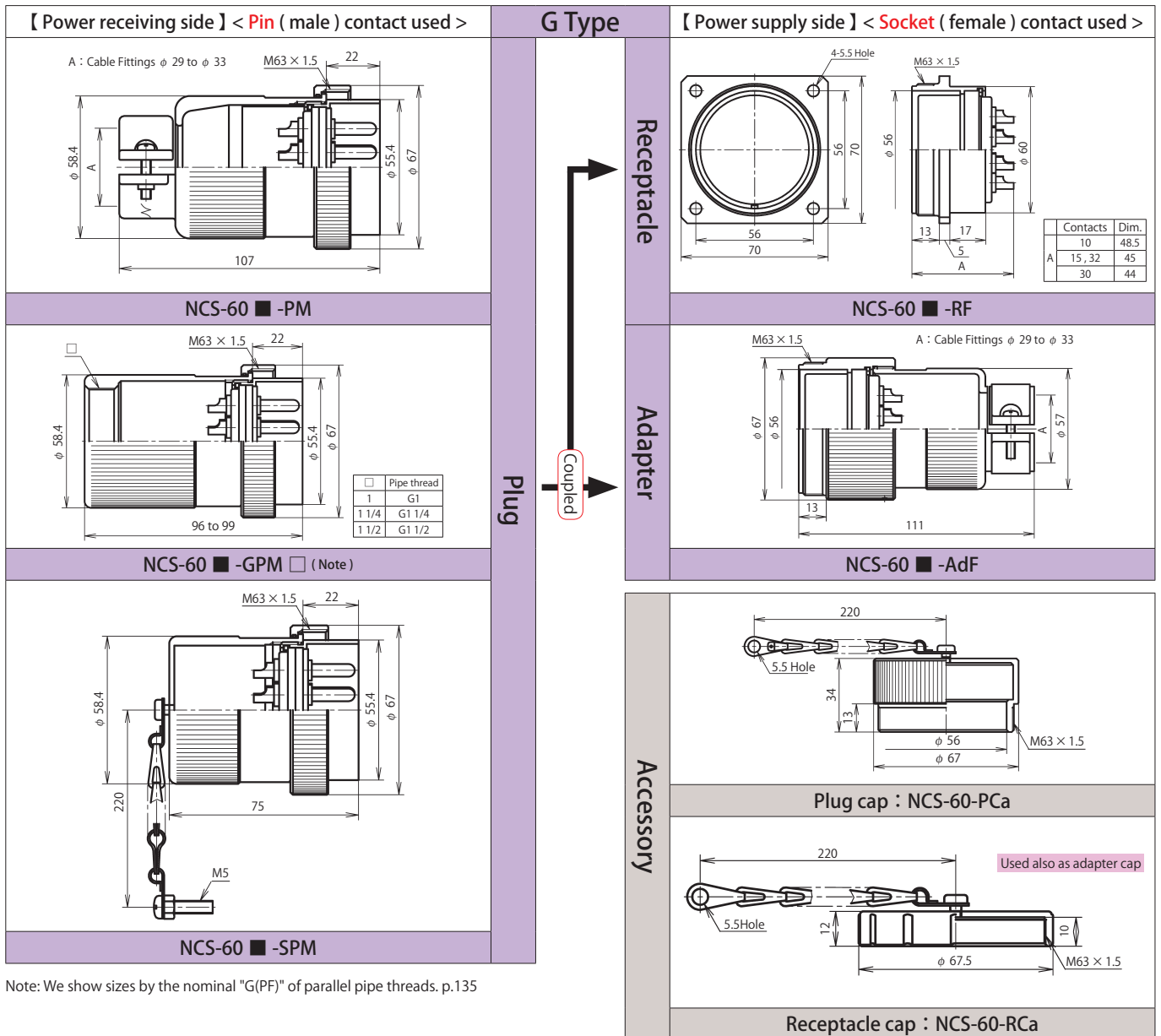
Note: We show sizes by the nominal "G(PF)" of parallel pipe threads. p.135

■ indicates the number of contacts.

The conductor cross sectional area is less than the following value. However, for safety standard certified products, use a cable having a value shown on p.129.

Shell size	Number of Contacts	2	3	4	8	10	15	25	
50	Contact arrangement <When viewed from the pin (male) contact coupling side>								
	Safety standard (Note-1)	—				CSA NRTL/C			
	Rating	500V 80A	250V 50A	250V 25A	250V 20A	250V 15A	250V	4pcs=15A 21pcs= 5A	
	Limit operating voltage (Note-2)	600V	500V	400V	300V				
	Withstand voltage (V r.m.s.)	3,000	2,500	2,000		1,800			
	Wire size (mm <sup>2</sup> )	30	14	3.5		4pcs=3.5 21pcs=2			

Note-1 : Specified separately. For safety standards, see p.129. ( The rated voltage of standard certified products is 265 V. ) Note-2: For the limit operating voltage, see p.131.

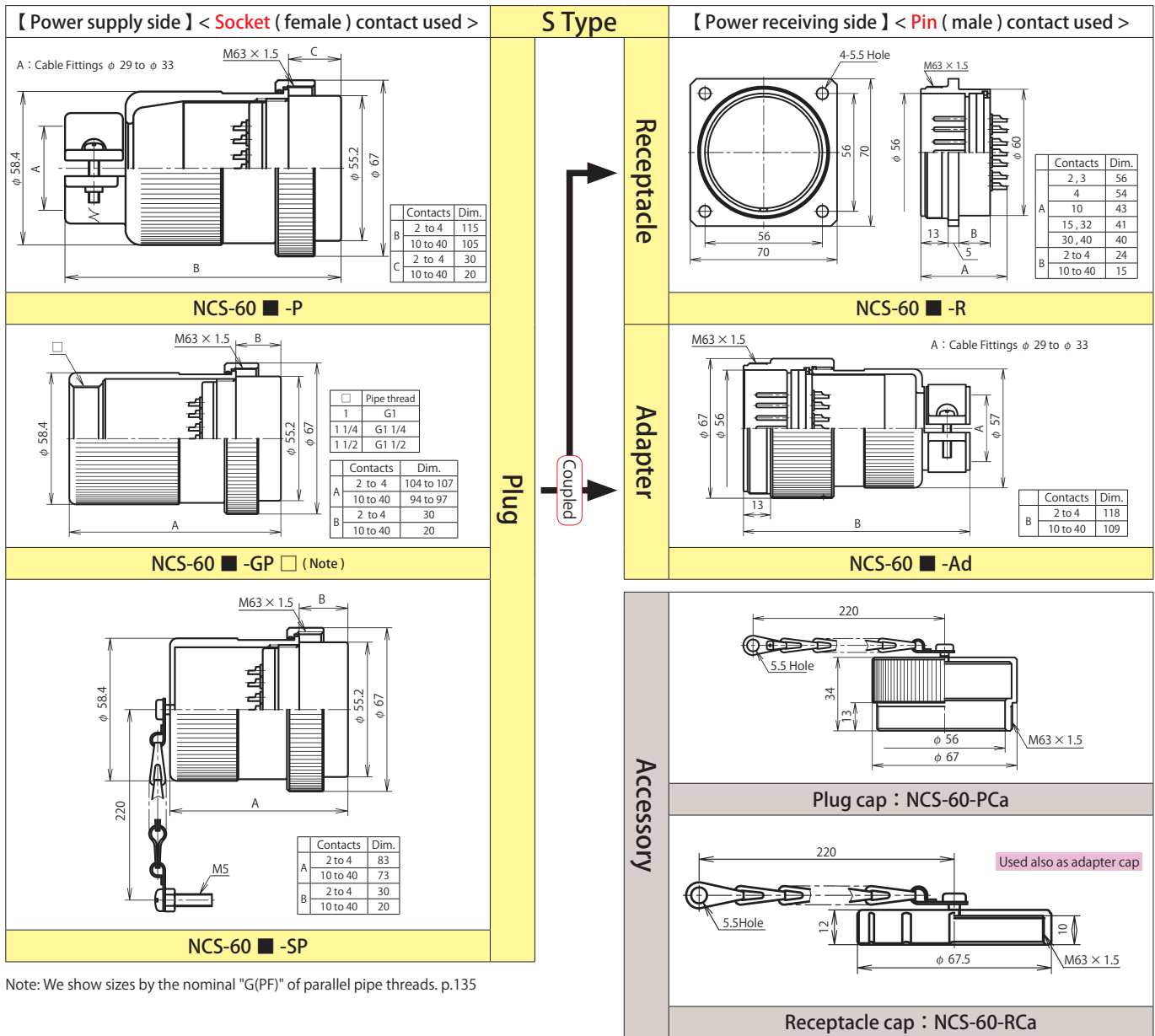


2-, 3- and 4-core types are available in Shell size 64.

■ indicates the number of contacts. The conductor cross sectional area is less than the following value.

Shell size	Number of Contacts	10	15	30	32
60	Contact arrangement <When viewed from the pin (male) contact coupling side>				
	Safety standard	—			
	Rating	250V 30A	250V 15A	250V 5A	250V 3pcs=15A 29pcs=5A
	Limit operating voltage (Note-1)	300V			
	Withstand voltage (V r.m.s.)	2,000		1,500	
	Wire size (mm <sup>2</sup> )	8	3.5	2	3pcs=3.5 29pcs=2

Note-1: For the limit operating voltage, see p.131.

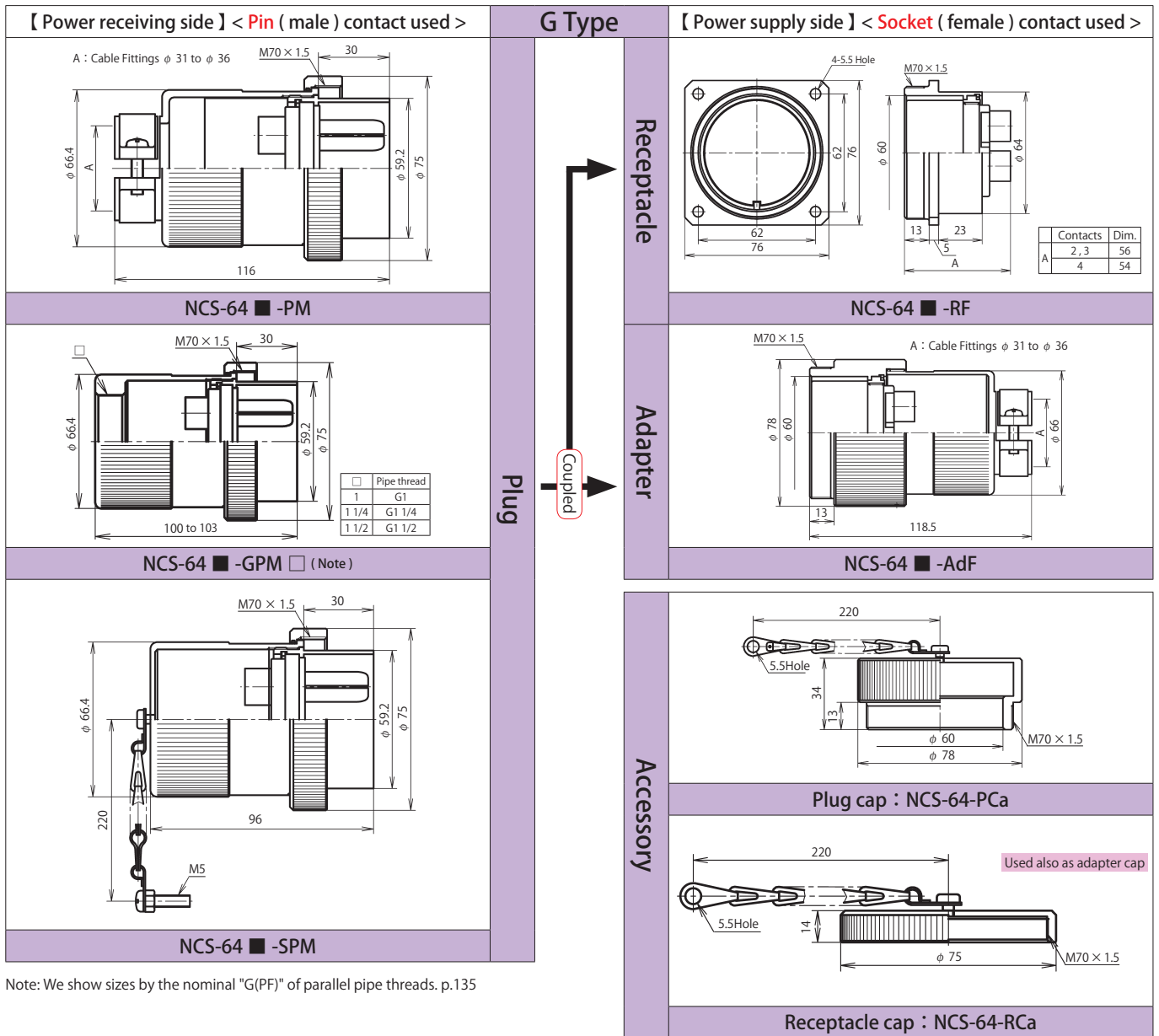


Note: We show sizes by the nominal "G(PF)" of parallel pipe threads. p.135

■ indicates the number of contacts. The conductor cross sectional area is less than the following value.

Shell size	Number of Contacts	2	3	4	10	15	30	32	40	
60	Contact arrangement <When viewed from the pin (male) contact coupling side>									
	Safety standard	—								
	Rating	500V 150A	500V 80A	250V 30A	250V 15A	250V 5A	250V 5A	3pcs=15A 29pcs=5A	250V 5A	
	Limit operating voltage (Note-1)	600V			300V					
	Withstand voltage (V r.m.s.)	3,000			2,500			1,800		
Wire size (mm <sup>2</sup> )	50	30	8	3.5	2	3pcs=3.5 29pcs=2	2			

Note-1: For the limit operating voltage, see p.131.



■ indicates the number of contacts. The conductor cross sectional area is less than the following value.

Shell size	Number of Contacts	2	3	4
64	Contact arrangement <When viewed from the pin (male) contact coupling side>			
	Safety standard	—		
	Rating	500V 150A		500V 80A
	Limit operating voltage (Note-1)	600V		
	Withstand voltage (V r.m.s.)	3,000		
	Wire size (mm <sup>2</sup> )	50		30

Note-1: For the limit operating voltage, see p.131.



# NJC Series

NJC



Non-waterproof

RoHS

Safety standard certified products available

## Overview

- Connectors designed in accordance with JIS C 5432.
- A large selection of products with a large number of derivatives added.
- A variety of products certified by safety standards having proven performance in a wide range of applications including semiconductor equipment and various measuring instruments.

## Feature

RoHS	RoHS Directive compliant
Waterproof	Non
Lock method	Thread lock
Features of mechanism/ material	<ul style="list-style-type: none"> <li>○ Die cast shell with zinc alloy or aluminum alloy.</li> <li>○ Smooth coupling thanks to employment of 5-key system guide.</li> <li>○ Installation in a small space enabled by use of the L za.</li> </ul>
Standards	<ul style="list-style-type: none"> <li>○ JIS C 5432 compliant connectors available.</li> <li>○ UL • CSA standard certified connectors available. ( UL : UL1977 CSA : C22.2 No.182.3 )</li> <li>○ Safety standard certified connectors available. ( EN61984 compliant, TÜV certified )</li> </ul> <p><small>Note: The specifications of safety standard certified products are slightly different from those of standard products. For the rated voltage, current and cable conductor cross sectional area, refer to A List of Standards Acquired ( pp.127 and 130 ).</small></p>
Cable termination	Soldering

## Characteristics

Insulation resistance , Withstand voltage , Contact resistance p.38



The pin contact type has an **exposed electrode**. If it is used on the [ power supply ] side, it may cause **electric shock** or **short-circuit accidents**. To prevent such accidents, use the socket contact type on the [ power supply ] side and the pin contact type on the [ equipment ] side.

# NJC Series

## Product No. designation

**NJC - 20 ■ - P M**

① ② ③ ④ ⑤ ⑥ ⑦

- ① Series designation
- ② Shell size
- ③ Number of contacts
- ④ Shell shape
- ⑤ Contact shape < Pin ( male ) contact : M , Socket ( female ) contact : F >
- ⑥ Guide position change symbol ( X , Y , Z ) 《 Required only when changing the guide position 》
- ⑦ Safety standard specification ( < UL • CSA > , < TUV > )  
《 Required only when safety standard is to be specified. 》 For applicable products, see pp.127 and 130.

## 《Option》

• When using a plural number of same products at the same time, the guide position can be changed in order to prevent mis-insertion.

( For applicable products, see below. )

Product name example : NJC-2010-PFX

Guide position change symbol ( X , Y , Z ) in the red character part.

## Cable termination : Soldering

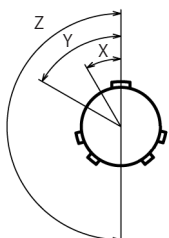
## Material and Finish

	Material	Finish
Shell	Shell size 16, 20, 24 : Zinc alloy ( Partially aluminum alloy ) Shell size 28, 32 : Aluminum alloy	Crape chrome plating Special treatment
Insulator	Synthetic resin	—
Contact	Copper alloy	Silver plating Gold plating

## To change the guide position ( Following number of contacts only )

Shell size	Number of Contacts	Guide Position Symbol		
		X	Y	Z
16	* 3	30°	60°	180°
	* 5	45°	90°	315°
20	* 7	30°	—	—
	* 10	45°	90°	315°
	12		95°	190°
24	* 10	45°	90°	315°
	14			
	* 16			
28	* 16	45°	90°	315°
	* 24			

\* UL • CSA products supported also.



An image of guide position change

< When viewed from the pin ( male ) contact side coupling face >

## Operating temperature range

Shell size	Number of Contacts	Operating temperature range
20	2, 3, 4, 5	-40°C to +100°C
24		
32	3, 4	-25°C to +85°C
16	3, 5	
20	7, 10, 12	
24	10, 14, 16	
28	16, 24	-25°C to +60°C
16	8	
20	14	
24	21, 24	
28	31, 37	
32	8, 10, 12	

## Upper limit of ambient temperature at rated current

## TÜV products only

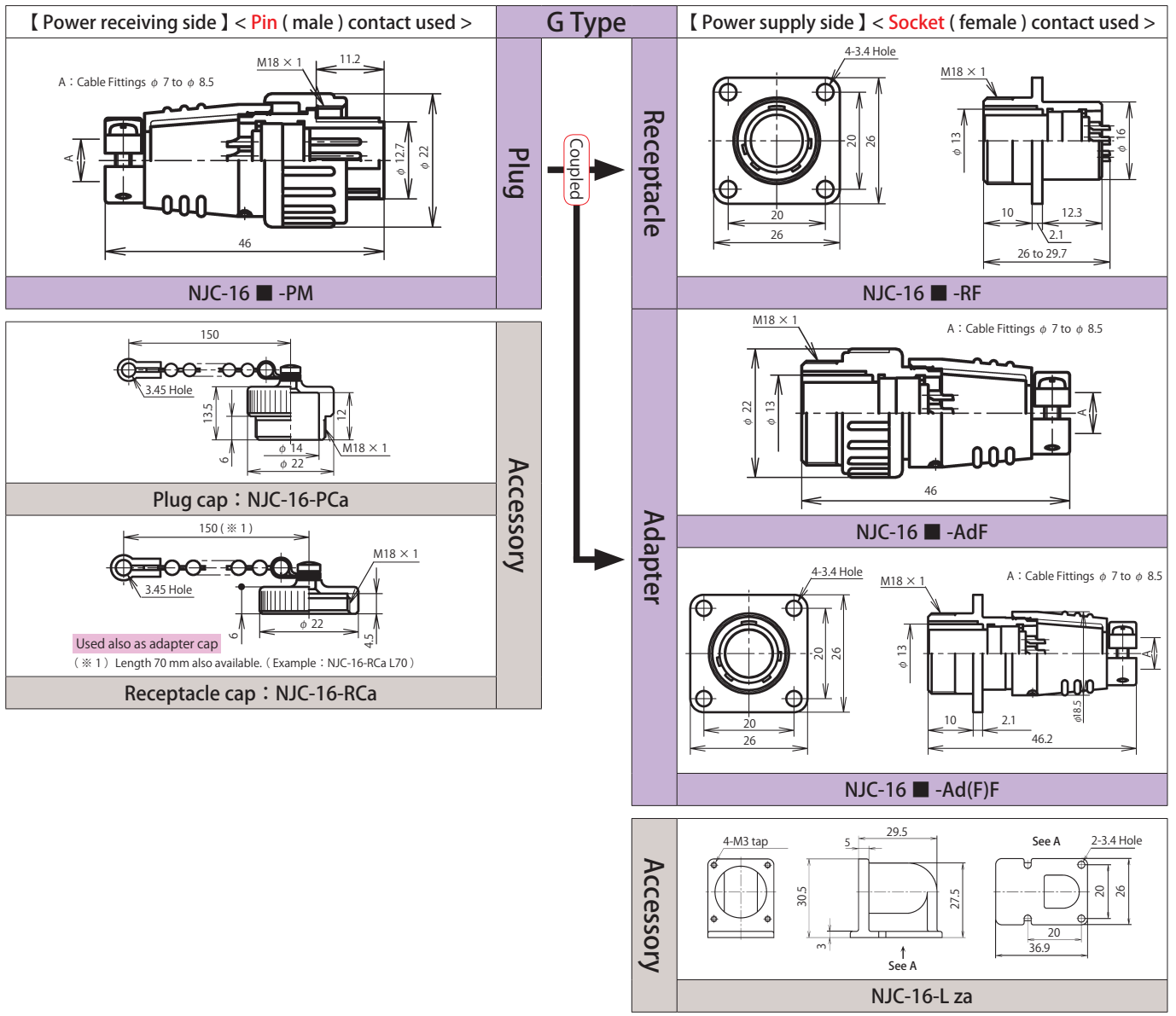
Shell size	Number of Contacts			
	2	3	4	5
20	+80°C	+80°C	+75°C	—
24	+70°C	+70°C	+80°C	+80°C
32	—	+70°C	+70°C	—

( Note ) Max.ambient temp. at rated current

( Based on TÜV certification test results )

NJC

16



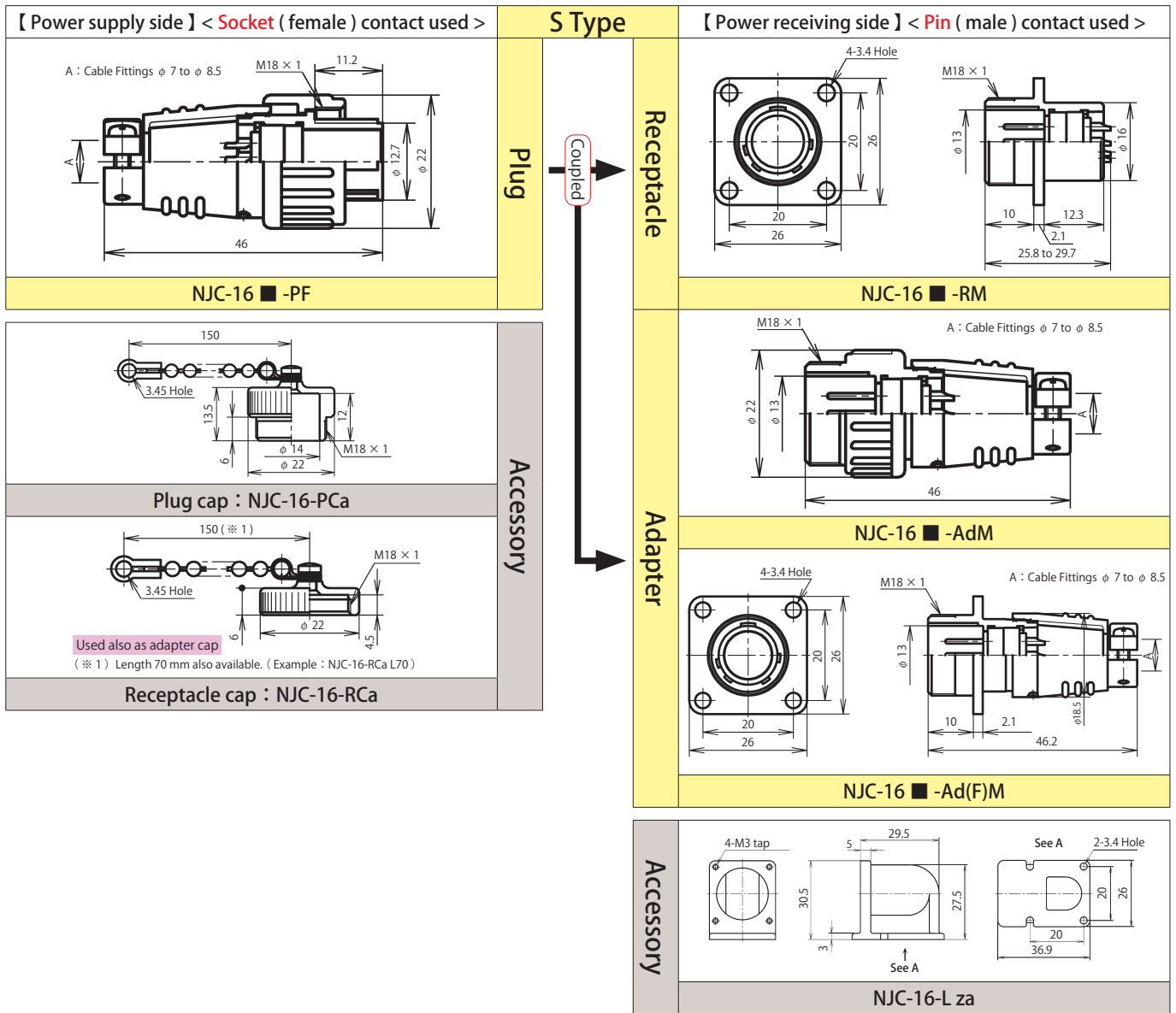
■ indicates the number of contacts.  
The conductor cross sectional area is less than the following value. However, for safety standard certified products, use a cable having a value shown on p.127.

Shell size	Number of Contacts	3	5	8
16	Contact arrangement <When viewed from the pin (male) contact coupling side>			
	Safety standard (Note-1)	UL • CSA		—
	Rating (Allowable current for signals)	125V		—
	Withstand voltage (V r.m.s.)	1,500	1,000	500
	Wire size (mm <sup>2</sup> )	1.25	0.5	0.3
	Remarks	—		For signals

[ ] : Gold plating contact

Note-1 : Specified separately. \*Specified as a set of UL and CSA\*. For safety standards, see p.127.





■ indicates the number of contacts.  
 The conductor cross sectional area is less than the following value. However, for safety standard certified products, use a cable having a value shown on p.127.

Shell size	Number of Contacts	3	5	8
16	Contact arrangement <When viewed from the pin (male) contact coupling side>			
	Safety standard (Note-1)	UL • CSA		—
	Rating (Allowable current for signals)	125V		—
	Withstand voltage (V r.m.s.)	1,500	1,000	[ 3A ]
	Wire size (mm <sup>2</sup> )	1.25	0.5	0.3
	Remarks	—		For signals

[ ] : Gold plating contact

Note-1 : Specified separately. \*Specified as a set of UL and CSA\*. For safety standards, see p.127.

# NJC Series Shell Size 20

NJC  
20

【 Power receiving side 】 < Pin ( male ) contact used >		G Type	【 Power supply side 】 < Socket ( female ) contact used >		
Plug		Coupled	Receptacle		
	<b>NJC-20 ■ -PM</b>			<b>NJC-20 ■ -RF</b>	
<b>NJC-20 ■ -GPM1/2 (Note)</b>	<b>NJC-20 ■ -AdF</b>				
Accessory			Adapter	Adapter	
	<b>Plug cap : NJC-20-PCa</b>				<b>NJC-20 ■ -Ad(F)F</b>
	<b>Receptacle cap : NJC-20-RCa</b>				<b>NJC-20 ■ -GAdF1/2 (Note)</b>
<b>NJC-20-L za</b>	<b>NJC-20 ■ -GAd(F)F1/2 (Note)</b>				
	Accessory	Accessory			
<b>Cable bushing : NJC-20-CB</b>			<b>Cable bushing : CBAS-12-7</b>		

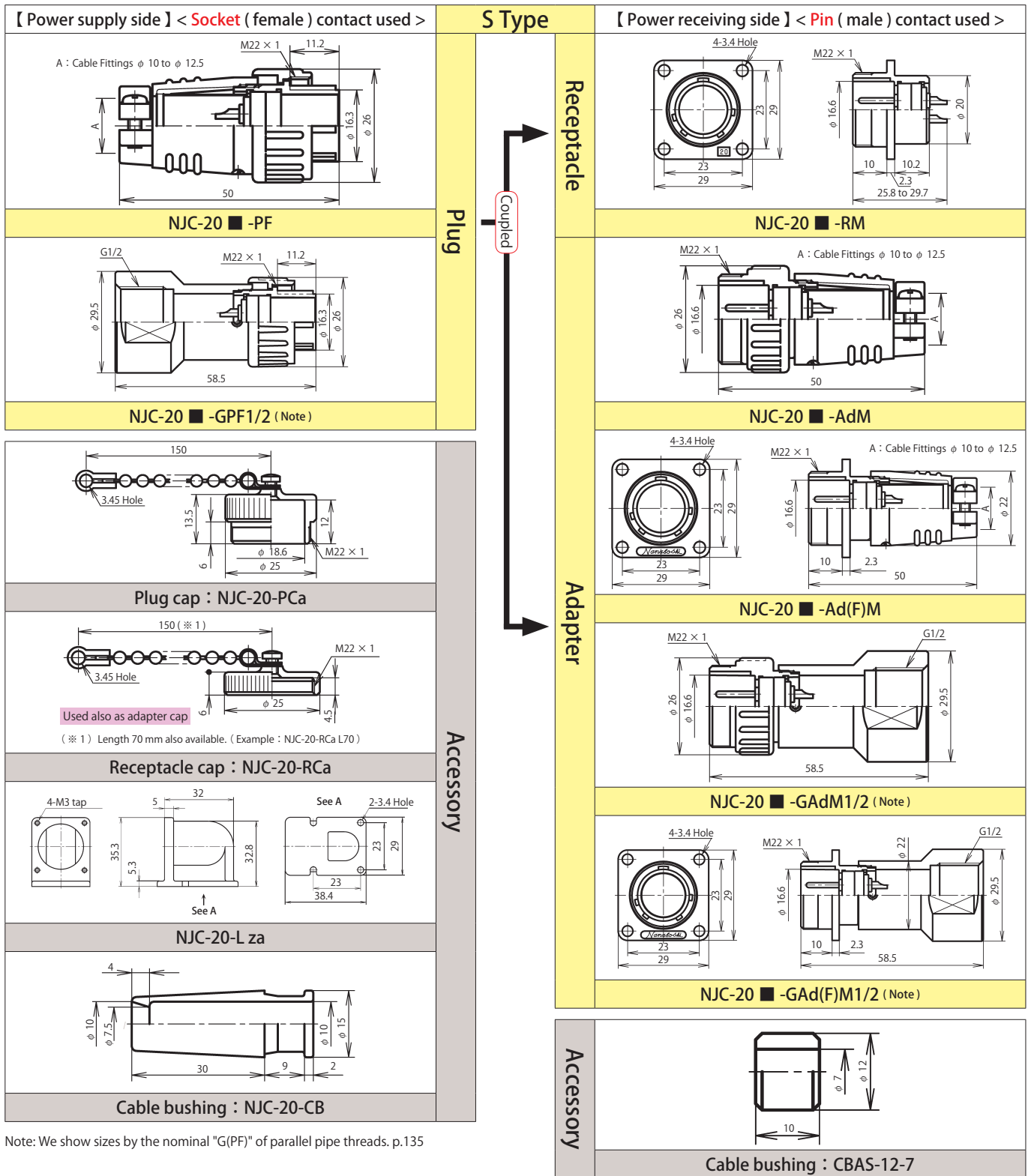
Note: We show sizes by the nominal "G(PF)" of parallel pipe threads. p.135

■ indicates the number of contacts.  
The conductor cross sectional area is less than the following value. However, for safety standard certified products, use a cable having a value shown on pp.127 and 130.

Shell size	Number of Contacts	2	3	4	5	7	10	12	14
20	Contact arrangement <When viewed from the pin (male) contact coupling side>								
	Safety standard (Note-1)	UL·CSA TÜV	UL·CSA TÜV	UL·CSA TÜV	UL·CSA				—
	Rating (Allowable current for signals)	250V				—			
	Withstand voltage (V r.m.s.)	15A		10A		5A		[ 3A ]	
	Wire size (mm <sup>2</sup> )	2		1.25		0.5		0.3	
	Remarks	—							


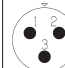
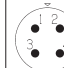

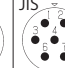
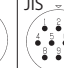
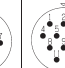
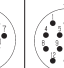
JIS mark refers to JIS C 5432 compliant products.  
[ ] : Gold plating contact

Note-1: Specified separately. Selection of either "specified as a set of UL and CSA" or "TUV specified." For safety standards, see pp.127 and 130.



Note: We show sizes by the nominal "G(PF)" of parallel pipe threads. p.135

■ indicates the number of contacts.  
The conductor cross sectional area is less than the following value. However, for safety standard certified products, use a cable having a value shown on pp.127 and 130.

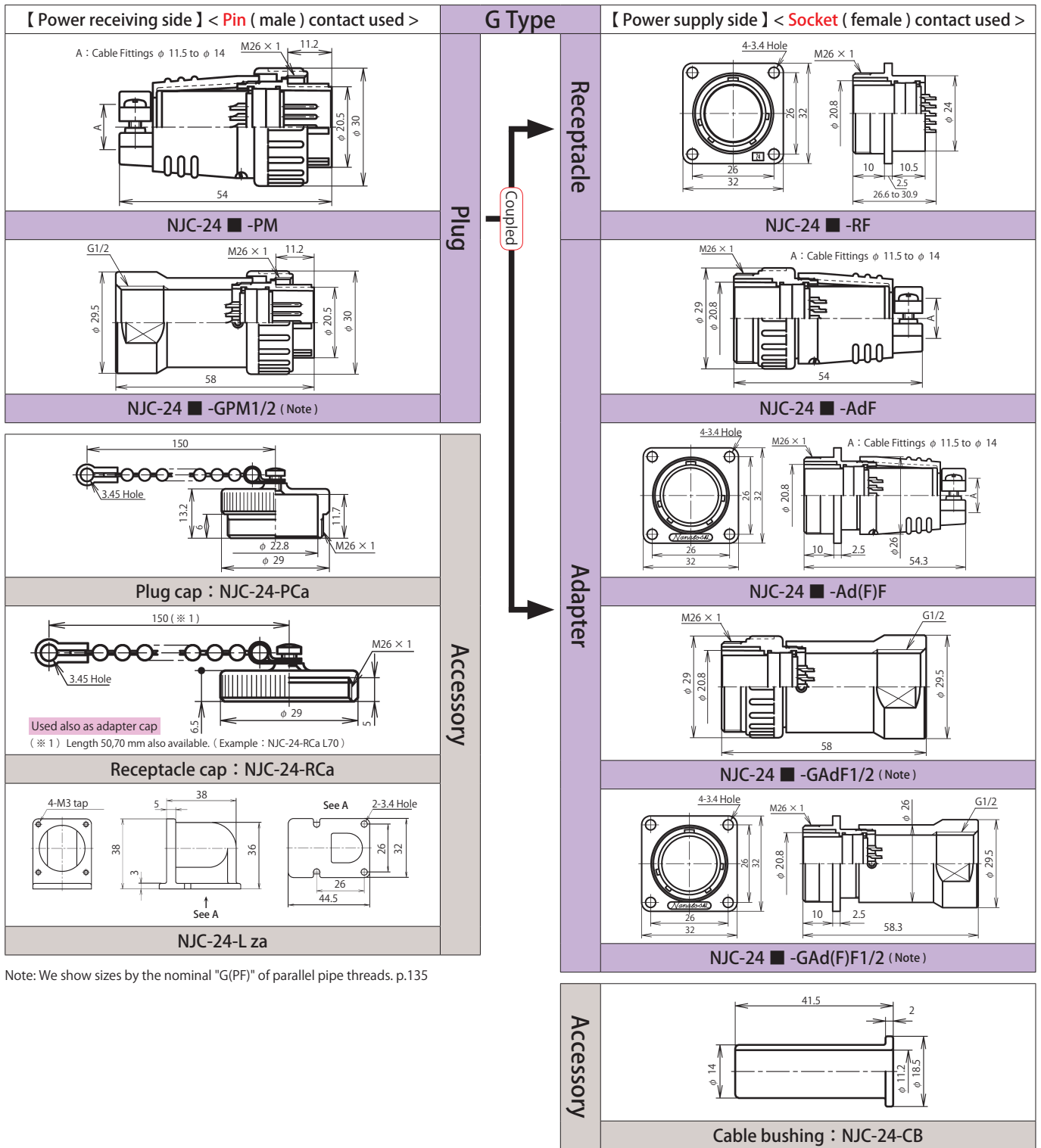
Shell size	Number of Contacts	2	3	4	5	7	10	12	14	
20	Contact arrangement <When viewed from the pin (male) contact coupling side>									
	Safety standard ( Note-1 )	UL·CSA TÜV	UL·CSA TÜV	UL·CSA TÜV	UL·CSA					
	Rating	250V								
	( Allowable current for signals )	15A		10A			5A		[ 3A ]	
	Withstand voltage ( V r.m.s. )	1,500				1,000		500		
	Wire size ( mm <sup>2</sup> )	2		1.25			0.5		0.3	
Remarks	—								For signals	

JIS mark refers to JIS C 5432 compliant products.  
[ ] : Gold plating contact

Note-1: Specified separately. Selection of either "specified as a set of UL and CSA" or "TUV specified." For safety standards, see pp.127 and 130.

# NJC Series Shell Size 24

NJC  
24



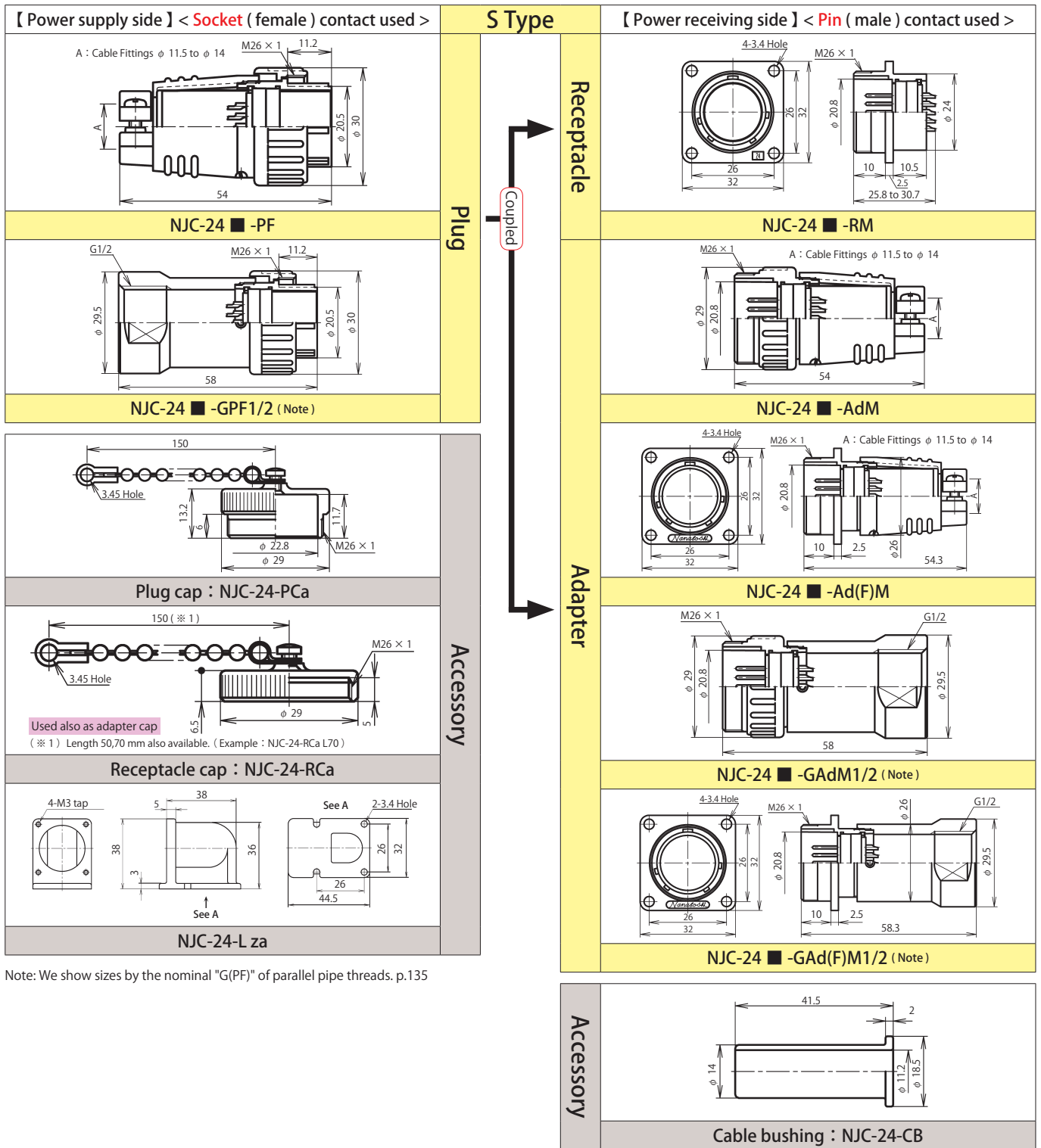
Note: We show sizes by the nominal "G(PF)" of parallel pipe threads. p.135

■ indicates the number of contacts.  
The conductor cross sectional area is less than the following value. However, for safety standard certified products, use a cable having a value shown on pp.127 and 130.

Shell size	Number of Contacts	2	3	4	5	10	14	16	21	24	
24	Contact arrangement <When viewed from the pin (male) contact coupling side>										
	Safety standard (Note-1)	UL·CSA TÜV	UL·CSA TÜV	UL·CSA TÜV	UL·CSA TÜV	UL·CSA				—	
	Rating (Allowable current for signals)	250V					—				
	Withstand voltage (V r.m.s.)	20A		15A		10A		5A		3pcs=6A [18pcs=3A]	
	Wire size (mm <sup>2</sup> )	3.5		2		1.25		0.5		3pcs=0.75 18pcs=0.3	
	Remarks	—								For signals	


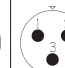
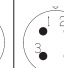
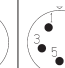
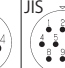




JIS mark refers to JIS C 5432 compliant products.  
[ ] : Gold plating contact

Note-1: Specified separately. Selection of either "specified as a set of UL and CSA" or "TÜV specified." For safety standards, see pp.127 and 130.



Note: We show sizes by the nominal "G(PF)" of parallel pipe threads. p.135

■ indicates the number of contacts.  
The conductor cross sectional area is less than the following value. However, for safety standard certified products, use a cable having a value shown on pp.127 and 130.

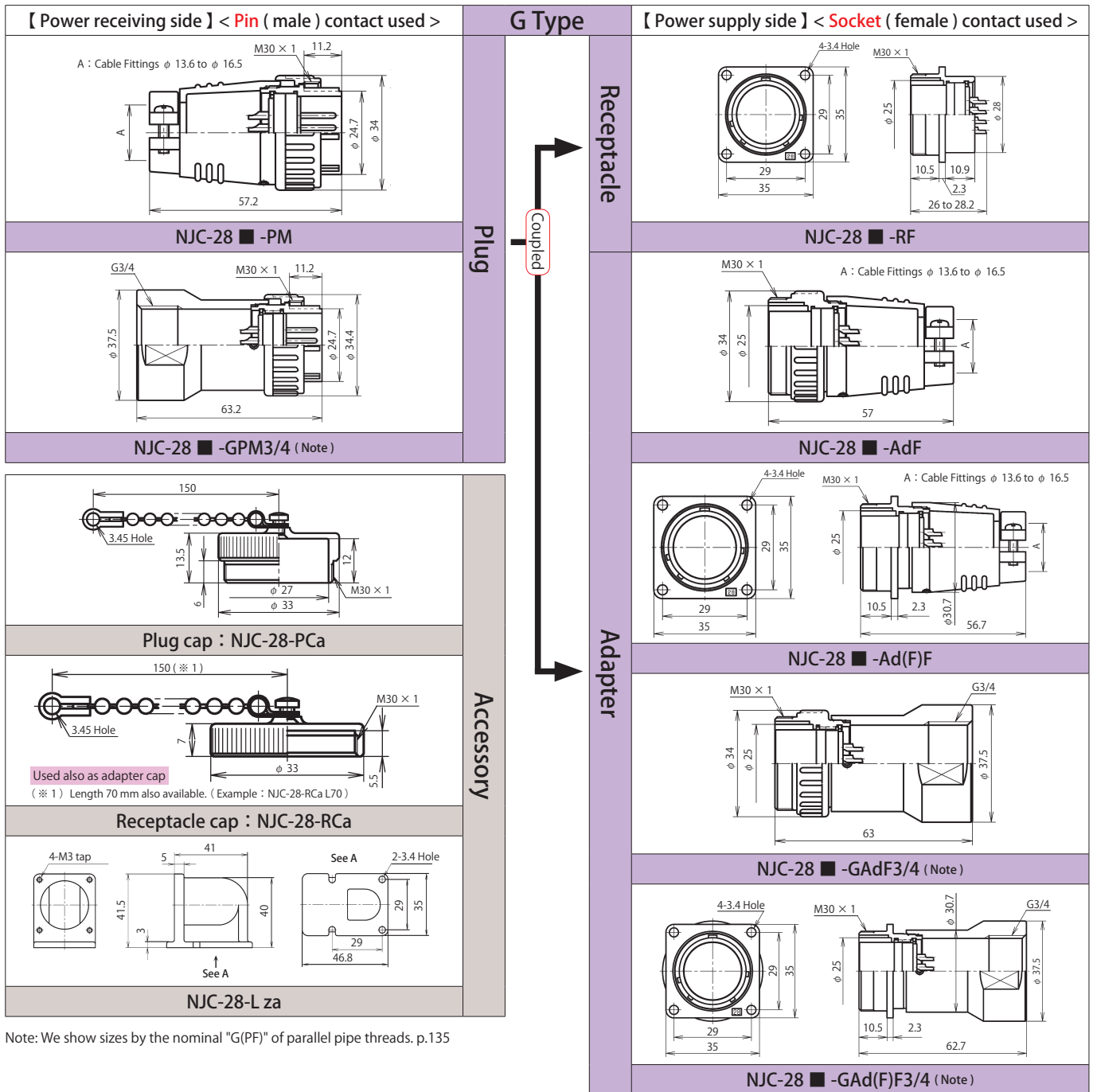
Shell size	Number of Contacts	2	3	4	5	10	14	16	21	24	
24	Contact arrangement <When viewed from the pin (male) contact coupling side>										
	Safety standard (Note-1)	UL·CSA TÜV	UL·CSA TÜV	UL·CSA TÜV	UL·CSA TÜV	UL·CSA				—	
	Rating (Allowable current for signals)	250V									
	Withstand voltage (V r.m.s.)	20A		15A		10A		5A		3pcs=6A [18pcs=3A]	
	Wire size (mm <sup>2</sup> )	3.5		2		1.25		0.5		3pcs=0.75 [18pcs=0.3]	
	Remarks	—									For signals

JIS mark refers to JIS C 5432 compliant products.  
[ ] : Gold plating contact

Note-1: Specified separately. Selection of either "specified as a set of UL and CSA" or "TÜV specified." For safety standards, see pp.127 and 130.

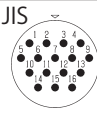
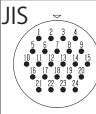

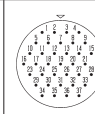
NJC

28



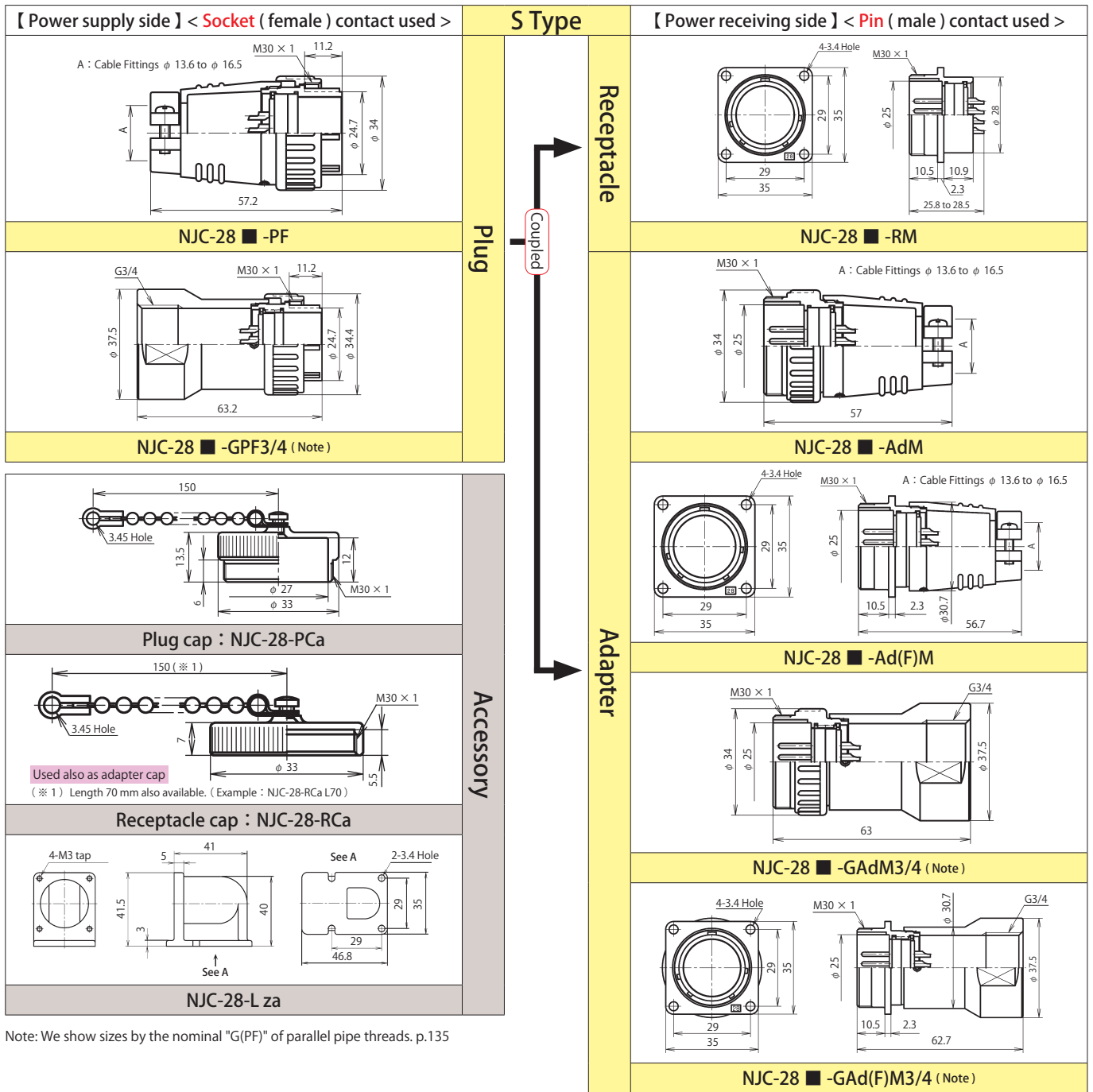
Note: We show sizes by the nominal "G(PF)" of parallel pipe threads. p.135

■ indicates the number of contacts.  
The conductor cross sectional area is less than the following value. However, for safety standard certified products, use a cable having a value shown on p.127.

Shell size	Number of Contacts	16	24	31	37
28	Contact arrangement <When viewed from the pin (male) contact coupling side>				
	Safety standard ( Note-1 )	UL · CSA		—	
	Rating ( Allowable current for signals )	250V		—	
		10A	5A	3pcs=6A [ 28pcs=3A ]	[ 3A ]
	Withstand voltage ( V r.m.s. )	1,000		500	
	Wire size ( mm <sup>2</sup> )	1.25	0.5	3pcs=0.75 28pcs=0.3	0.3
Remarks	—		For signals		

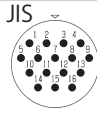
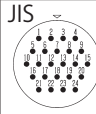

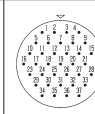
JIS mark refers to JIS C 5432 compliant products.  
[ ] : Gold plating contact

Note-1 : Specified separately. "Specified as a set of UL and CSA". For safety standards, see p.127.



Note: We show sizes by the nominal "G(PF)" of parallel pipe threads. p.135

■ indicates the number of contacts.  
The conductor cross sectional area is less than the following value. However, for safety standard certified products, use a cable having a value shown on p.127.

Shell size	Number of Contacts	16	24	31	37
28	<b>Contact arrangement</b> <When viewed from the pin (male) contact coupling side>				
	Safety standard ( Note-1 )	UL · CSA		—	
	Rating	250V		—	
	( Allowable current for signals )	10A	5A	3pcs=6A [ 28pcs=3A ]	[ 3A ]
	Withstand voltage ( V r.m.s. )	1,000		500	
	Wire size ( mm <sup>2</sup> )	1.25	0.5	3pcs=0.75 28pcs=0.3	0.3
Remarks	—		For signals		

JIS mark refers to JIS C 5432 compliant products.

[ ] : Gold plating contact

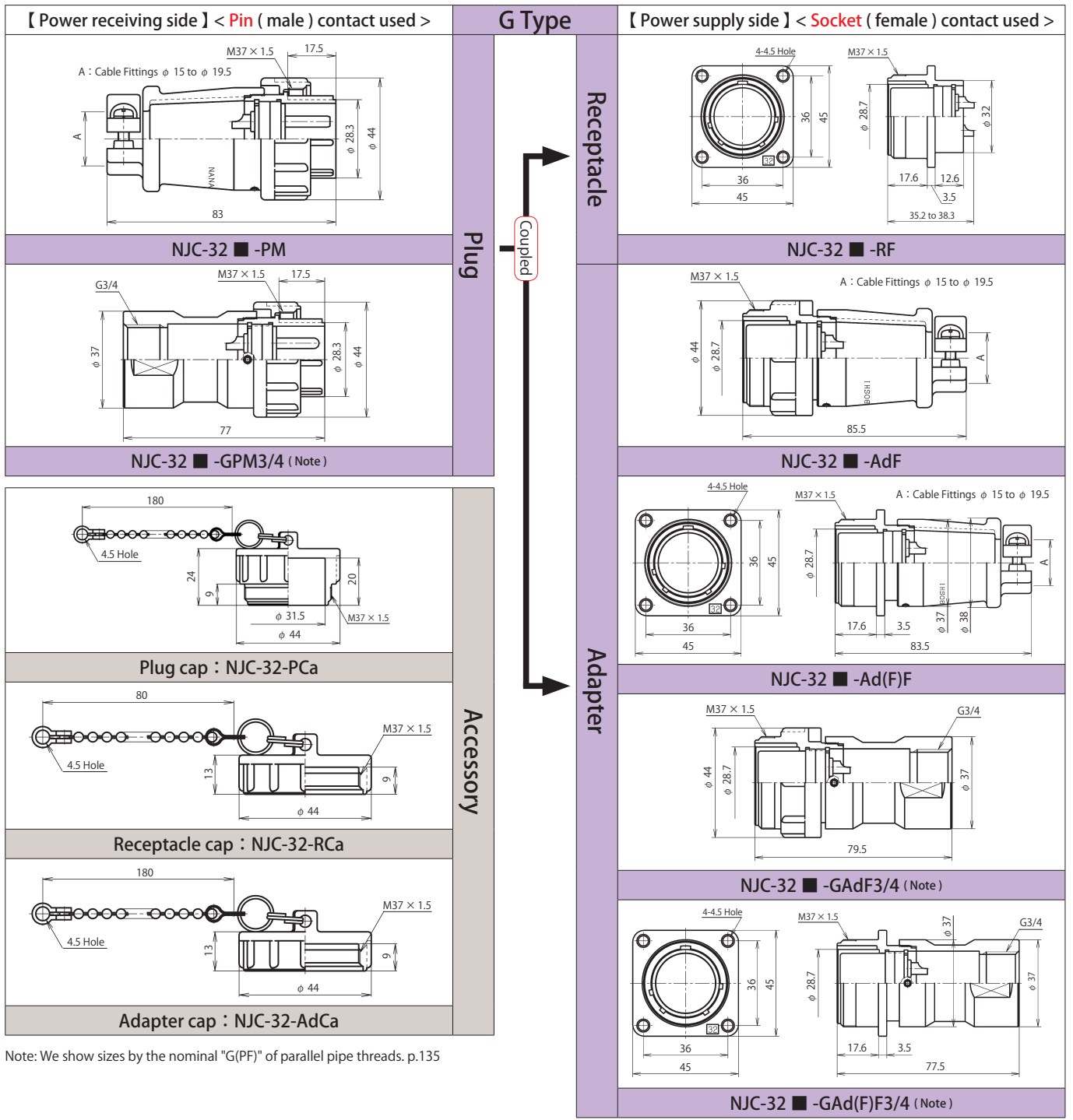
Note-1 : Specified separately. "Specified as a set of UL and CSA". For safety standards, see p.127.



# NJC Series Shell Size 32

NJC

32



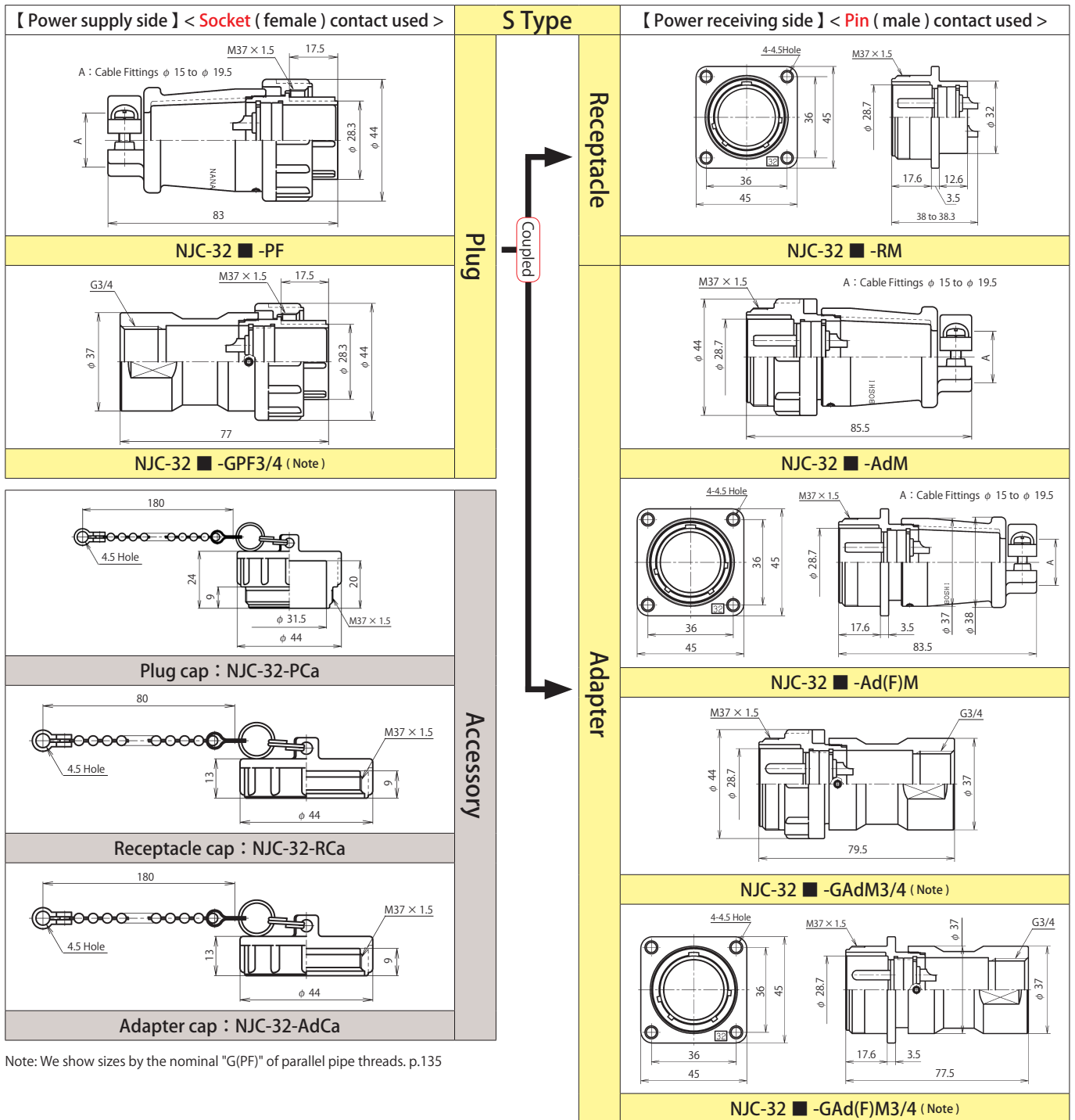
Note: We show sizes by the nominal "G(PF)" of parallel pipe threads. p.135

■ indicates the number of contacts.  
The conductor cross sectional area is less than the following value. However, for safety standard certified products, use a cable having a value shown on pp.127 and 130.

Shell size	Number of Contacts	3	4	8	10	12
32	Contact arrangement <When viewed from the pin (male) contact coupling side>					
	Safety standard (Note-1)	UL·CSA TÜV	UL·CSA TÜV	UL·CSA		
	Rating	250V 30A		250V 10A		
	Withstand voltage (V r.m.s.)	2,000		1,500		
	Wire size (mm <sup>2</sup> )	5.5, 6		2		

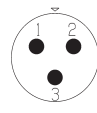
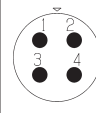
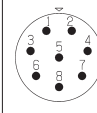
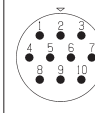
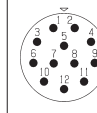
Note-1: Specified separately. Selection of either "specified as a set of UL and CSA" or "TÜV specified." For safety standards, see pp.127 and 130.





Note: We show sizes by the nominal "G(PF)" of parallel pipe threads. p.135

■ indicates the number of contacts.  
The conductor cross sectional area is less than the following value. However, for safety standard certified products, use a cable having a value shown on pp.127 and 130.

Shell size	Number of Contacts	3	4	8	10	12	
32	Contact arrangement <When viewed from the pin (male) contact coupling side>						
	Safety standard (Note-1)	UL·CSA TÜV	UL·CSA TÜV	UL·CSA			
	Rating	250V 30A			250V 10A		
	Withstand voltage (V r.m.s.)	2,000			1,500		
	Wire size (mm <sup>2</sup> )	5.5, 6			2		

Note-1: Specified separately. Selection of either "specified as a set of UL and CSA" or "TÜV specified." For safety standards, see pp.127 and 130.

# NJC Series Characteristics

NJC

Number of contacts

Shell size	Contact	Insulation resistance ( M Ω )			Contact resistance ( m Ω )			Withstand voltage ( V r.m.s. )		
		Normal products	Safety standard		Normal products	Safety standard		Normal products	Safety standard	
			UL • CSA	TÜV		UL • CSA	TÜV		UL • CSA	TÜV
16	3	DC 500V 2,000 min.	—		3 max.	—		1,500	—	
	5	DC 500V 1,000 min.	—		5 max.	—		1,000	—	
	8	DC 250V 1,000 min.	—		5 max.	—		500	—	
20	2	DC 500V 2,000 min.			3 max.			1,500		
	3									
	4									
	5	DC 500V 2,000 min.	—		3 max.	—		1,500	—	
	7	DC 500V 1,000 min.			5 max.			1,000		
	10									
	12	DC 500V 1,000 min.			—		5 max.		—	
14	DC 250V 1,000 min.	—		5 max.	—		500	—		
24	2	DC 500V 5,000 min. DC 500V 2,000 min.			3 max.			1,500		
	3									
	4									
	5									
	10	DC 500V 2,000 min.	—		3 max.	—		1,000		
	14	DC 500V 1,000 min.			—		5 max.			
	16	DC 500V 1,000 min.			—		5 max.		—	
21	DC 250V 1,000 min.			—		5 max.		—		
24	DC 250V 1,000 min.			—		5 max.		—		
28	16	DC 500V 2,000 min.	—		3 max.	—		1,000		
	24	DC 500V 1,000 min.			—		5 max.			
	31	DC 250V 1,000 min.			—		5 max.		—	
	37	DC 250V 1,000 min.			—		5 max.		—	
32	3	DC 500V 2,000 min.			3 max.			2,000		
	4									
	8	DC 500V 2,000 min.			3 max.			1,500		
	10									
	12									

A series of horizontal dotted lines for writing.

# NR Series

NR



Non-waterproof

RoHS

Quick lock

Safety standard certified products available

## Overview

- Connectors created by evolving NJC Series to the quick lock system.
- Suitable for use in portable equipment and for handling in small spaces.

## Feature

RoHS	RoHS Directive compliant
Waterproof	Non
Lock method	Quick lock
Features of mechanism/ material	<ul style="list-style-type: none"> <li>○ Die cast shell with zinc alloy.</li> <li>○ Smooth coupling thanks to employment of 5-key system guide.</li> <li>○ Installation in a small space enabled by use of the L za.</li> </ul>
Standards	<ul style="list-style-type: none"> <li>○ UL • CSA standard certified connectors available. ( UL : UL1977 CSA : C22.2 No.182.3 )</li> <li>○ Safety standard certified connectors available. ( EN61984 compliant, TÜV certified )</li> </ul> <p><small>Note: The specifications of safety standard certified products are slightly different from those of standard products. For the rated voltage, current and cable conductor cross sectional area, refer to A List of Standards Acquired ( pp.127 and 130 ).</small></p>
Cable termination	Soldering

## Characteristics

Insulation resistance , Withstand voltage , Contact resistance p.46

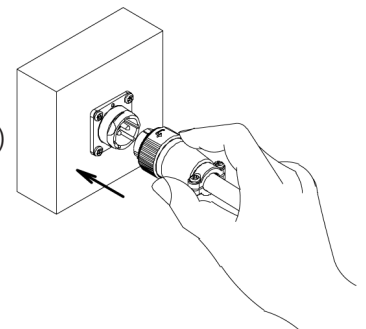


The pin contact type has an **exposed electrode**. If it is used on the [ power supply ] side, it may cause **electric shock** or **short-circuit accidents**. To prevent such accidents, use the socket contact type on the [ power supply ] side and the pin contact type on the [ equipment ] side.

## Insertion

Align the plug and the guide of the mating connector ( receptacle/adapter ) and push in straight.

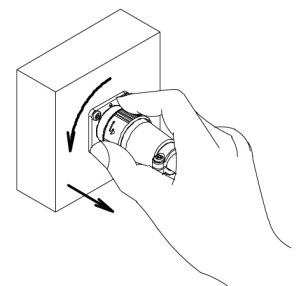
**Caution: When inserting, do not turn the coupling nut.**



## Extraction

With the coupling nut turned CCW 45 degrees in the arrow direction, extract the connector.

**Caution: When extracting, do not turn the end bell.**



# NR Series

## Product No. designation

**NR - 24 ■ - P M**

① ② ③ ④ ⑤ ⑥ ⑦

- ① Series designation
- ② Shell size
- ③ Number of contacts
- ④ Shell shape
- ⑤ Contact shape < Pin ( male ) contact : M , Socket ( female ) contact : F >
- ⑥ Guide position change symbol ( X , Y , Z ) 《 Required only when changing the guide position 》
- ⑦ Safty standard specification ( < UL • CSA > , < TUV > )  
《 Required only when safety standard is to be specified. 》 For applicable products, see pp. 127 and 130.

## 《Option》

• When using a plural number of same products at the same time, the guide position can be changed in order to prevent mis-insertion.

( For applicable products, see below. )

Product name example : NR-2010-PFX

Guide position change symbol ( X, Y, Z ) in the red character part.

## Cable termination : Soldering

## Material and Finish

	Material	Finish
Shell	Zinc alloy ( Partially aluminum alloy )	Crape chrome plating
Insulator	Synthetic resin	—
Contact	Copper alloy	Silver plating Gold plating

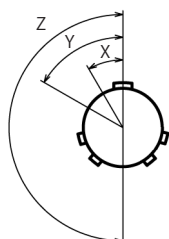
## Operating temperature range

Shell size	Number of Contacts	Operating temperature range
20	2, 3, 4, 5	-40°C to +100°C
24	2, 3, 4, 5	
20	7, 10, 12	-25°C to +85°C
24	10, 14, 16	
20	14	-25°C to +60°C
24	21, 24	

## To change the guide position ( Following number of contacts only )

Shell size	Number of Contacts	Guide Position Symbol		
		X	Y	Z
20	7	30°	—	—
	* 10	45°	90°	315°
	12		95°	190°
24	* 10	45°	90°	315°
	* 14			
	* 16			

\* UL • CSA products supported also.



An image of guide position change

< When viewed from the pin ( male ) contact side coupling face >

## Upper limit of ambient temperature at rated current

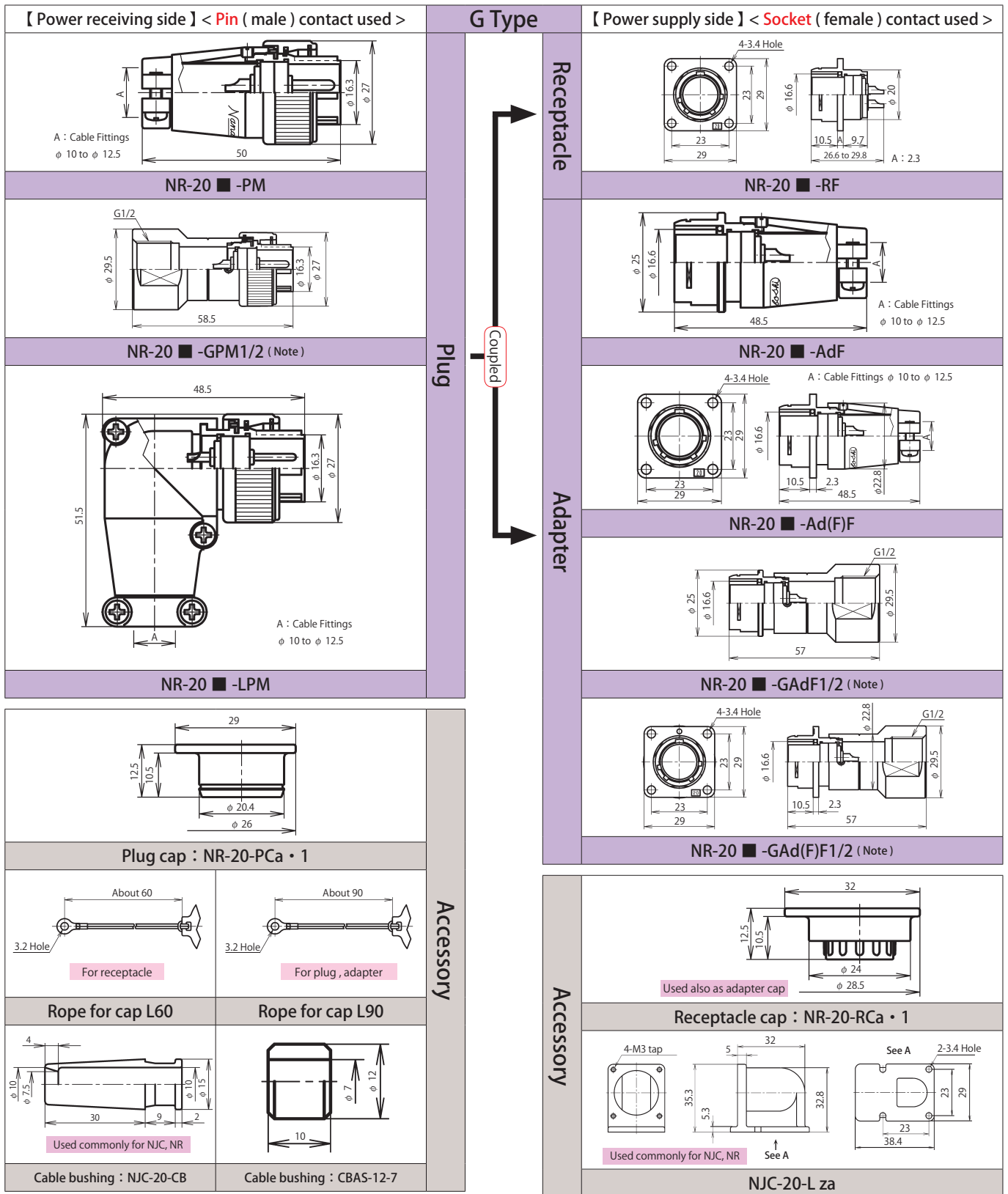
### TÜV products only

Shell size	Number of Contacts			
	2	3	4	5
20	+80°C	+80°C	+75°C	—
24	+70°C	+70°C	+80°C	+80°C

( Note ) Max.ambient temp. at rated current  
( Based on TÜV certification test results )

# NR Series Shell Size 20

NR  
20



■ indicates the number of contacts.  
The conductor cross sectional area is less than the following value. However, for safety standard certified products, use a cable having a value shown on pp.127 and 130.

Note: We show sizes by the nominal "G(PF)" of parallel pipe threads. p.135  
The conductor cross sectional area is less than the following value. However, for safety standard certified products, use a cable having a value shown on pp.127 and 130.

Shell size	Number of Contacts	2	3	4	5	7	10	12	14	
20	Contact arrangement <When viewed from the pin (male) contact coupling side>									
	Safety standard (Note-1)	UL·CSA TÜV	UL·CSA TÜV	UL·CSA TÜV	UL·CSA					
	Rating (Allowable current for signals)	15A			10A			5A		[3A]
	Withstand voltage (V r.m.s.)	1,500				1,000			500	
	Wire size (mm <sup>2</sup> )	2			1.25			0.5		0.3
	Remarks									For signals

[ ] : Gold plating contact

Note-1: Specified separately. Selection of either "specified as a set of UL and CSA" or "TUV specified." For safety standards, see pp.127 and 130.

# NR Series Shell Size 20

【 Power supply side 】 < Socket ( female ) contact used >		S Type	【 Power receiving side 】 < Pin ( male ) contact used >		
	NR-20 ■ -PF	Plug	Coupled		NR-20 ■ -RM
	NR-20 ■ -GPF1/2 ( Note )				NR-20 ■ -AdM
	NR-20 ■ -LPF				NR-20 ■ -Ad(F)M
	Plug cap : NR-20-PCa • 1				NR-20 ■ -GAdM1/2 ( Note )
	Receptacle cap : NR-20-RCa • 1	Adapter	Coupled		NR-20 ■ -GAd(F)M1/2 ( Note )
	NJC-20-L za				NR-20 ■ -L za
Accessory				Accessory	
	Rope for cap L60				Rope for cap L90
	Cable bushing : NJC-20-CB				Cable bushing : CBAS-12-7

■ indicates the number of contacts.  
The conductor cross sectional area is less than the following value. However, for safety standard certified products, use a cable having a value shown on pp.127 and 130.

Note: We show sizes by the nominal "G(PF)" of parallel pipe threads. p.135

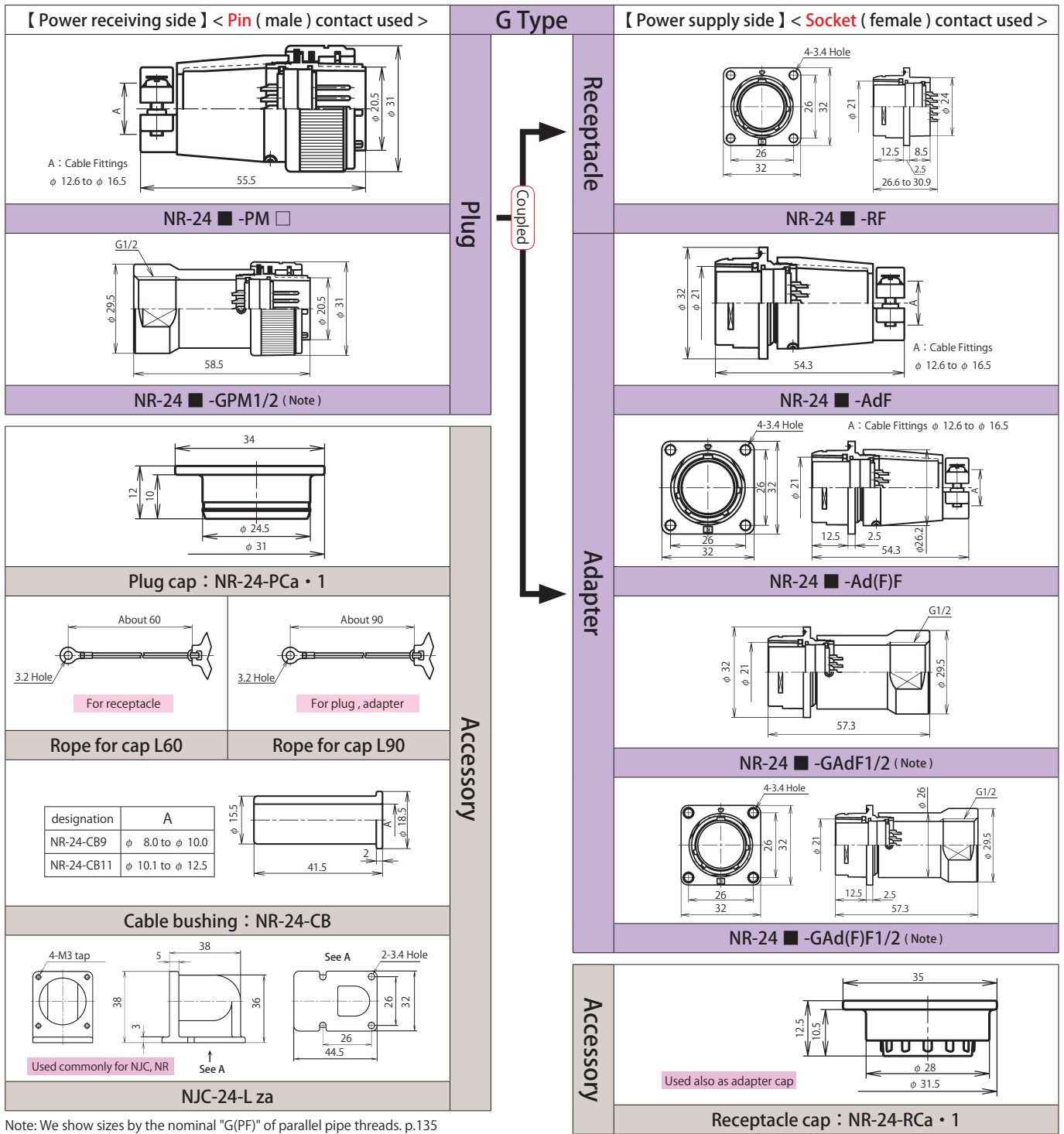
Shell size	Number of Contacts	2	3	4	5	7	10	12	14
20	Contact arrangement <When viewed from the pin (male) contact coupling side>								
	Safety standard ( Note-1 )	UL·CSA TÜV	UL·CSA TÜV	UL·CSA TÜV	UL·CSA				
	Rating	250V				-			
	( Allowable current for signals )	15A		10A		5A		[ 3A ]	
	Withstand voltage ( V r.m.s. )	1,500				1,000		500	
Wire size ( mm <sup>2</sup> )	2		1.25		0.5		0.3		
Remarks	-								For signals

[ ] : Gold plating contact

Note-1 : Specified separately. Selection of either "specified as a set of UL and CSA" or "TÜV specified." For safety standards, see pp.127 and 130.

NR  
20

NR  
24



Note: We show sizes by the nominal "G(PF)" of parallel pipe threads. p.135

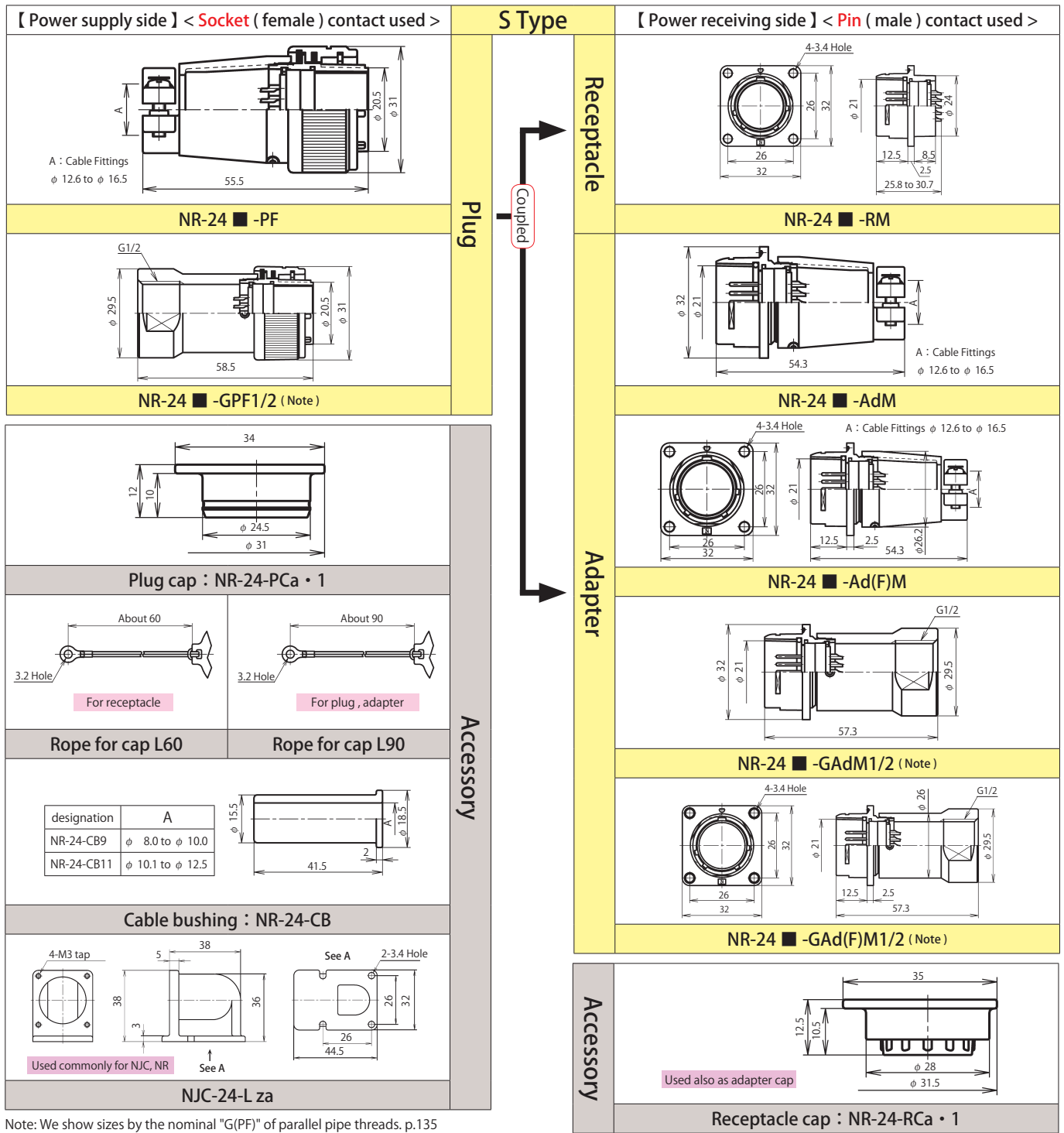
■ indicates the number of contacts.  
The conductor cross sectional area is less than the following value. However, for safety standard certified products, use a cable having a value shown on pp.127 and 130.

Shell size	Number of Contacts	2	3	4	5	10	14	16	21	24		
24	Contact arrangement <When viewed from the pin (male) contact coupling side>											
	Safety standard (Note-1)	UL·CSA TÜV	UL·CSA TÜV	UL·CSA TÜV	UL·CSA TÜV	UL·CSA						
	Rating (Allowable current for signals)	250V					—					
	Withstand voltage (V r.m.s.)	20A			15A		10A		5A		3pcs=6A [18pcs=3A]	[3A]
	Wire size (mm <sup>2</sup> )	3.5		2		1.25		0.5		3pcs=0.75 18pcs=0.3	0.3	
Remarks	—									For signals		

[ ] : Gold plating contact

Note-1: Specified separately. Selection of either "specified as a set of UL and CSA" or "TÜV specified." For safety standards, see pp.127 and 130.





Note: We show sizes by the nominal "G(PF)" of parallel pipe threads. p.135

■ indicates the number of contacts.  
The conductor cross sectional area is less than the following value. However, for safety standard certified products, use a cable having a value shown on pp.127 and 130.

Shell size	Number of Contacts	2	3	4	5	10	14	16	21	24		
24	Contact arrangement <When viewed from the pin (male) contact coupling side>											
	Safety standard (Note-1)	UL·CSA TÜV	UL·CSA TÜV	UL·CSA TÜV	UL·CSA TÜV	UL·CSA				—		
	Rating (Allowable current for signals)	250V					—					
	Withstand voltage (V r.m.s.)	20A			15A		10A		5A		3pcs=6A [18pcs=3A]	[3A]
	Wire size (mm <sup>2</sup> )	3.5		2		1.25		0.5		3pcs=0.75 18pcs=0.3	0.3	
Remarks	—									For signals		

[ ] : Gold plating contact

Note-1: Specified separately. Selection of either "specified as a set of UL and CSA" or "TÜV specified." For safety standards, see pp.127 and 130.

# NR Series Characteristics

Number of contacts

Shell size	Contact	Insulation resistance ( M Ω )			Contact resistance ( m Ω )			Withstand voltage ( V r.m.s. )		
		Normal products	Safety standard		Normal products	Safety standard		Normal products	Safety standard	
			UL • CSA	TÜV		UL • CSA	TÜV		UL • CSA	TÜV
20	2	DC 500V 2,000 min.			3 max.			1,500		
	3									
	4									
	5	DC 500V 2,000 min.	—		3 max.	—		1,500	—	
	7							1,000		
	10	DC 500V 1,000 min.	—		5 max.	—		1,000	—	
	12									
14	DC 250V 1,000 min.	—		5 max.	—		500	—		
24	2	DC 500V 5,000 min.			3 max.			1,500		
	3									
	4									
	5									
	10	DC 500V 2,000 min.	—		3 max.	—		1,000	—	
	14									
	16									
21	DC 250V 1,000 min.	—		5 max.	—		500	—		
24										

NR



# NET Series



Non-waterproof

RoHS

Safety standard certified products available

## Overview

- Power connectors compliant with safety standards and also certified by UL • CSA standards.
- Used in a wide variety of FA equipment and semiconductor equipment.

## Feature

RoHS	RoHS Directive compliant
Waterproof	Non
Lock method	Thread lock
Features of mechanism/ material	<ul style="list-style-type: none"> <li>○ Protection circuit structure : Ground contact of sequence structure ( prioritized contact ) that connects with metal shells.</li> <li>○ Installation in a small space enabled by use of the L za.</li> </ul>
Standards	<ul style="list-style-type: none"> <li>○ Safety standard certified connectors available. ( EN61984 compliant , TÜV certified )</li> <li>○ UL • CSA standard certified connectors available. ( UL : UL1977 CSA : C22.2 No.182.3 )</li> </ul>
Cable termination	Soldering

## Characteristics

↓ Number of contacts

Shell size	Contact	Insulation resistance ( M Ω )	Contact resistance ( m Ω )	Withstand voltage ( V r.m.s. )
20	3	DC 500V 2,000 min.	3 max.	1,500
24	3	DC 500V 2,000 min.	3 max.	1,500
	4			
28	4	DC 500V 2,000 min.	3 max.	1,500
	8			
32	3	DC 500V 2,000 min.	3 max.	2,000
	4			



The pin contact type has an **exposed electrode**. If it is used on the [ power supply ] side, it may cause **electric shock** or **short-circuit accidents**. To prevent such accidents, use the socket contact type on the [ power supply ] side and the pin contact type on the [ equipment ] side.

# NET Series

## Product No. designation

**NET - 24 ■ - P M**

① ② ③ ④ ⑤

- ① Series designation
- ② Shell size
- ③ Number of contacts
- ④ Shell shape
- ⑤ Contact shape < Pin (male) contact : M, Socket (female) contact : F >

All connectors are UL • CSA, TÜV certified. Not necessary to specify a standard by a product name. For safety standards, see pp.127 and 130.

## Cable termination : Soldering

## Material and Finish

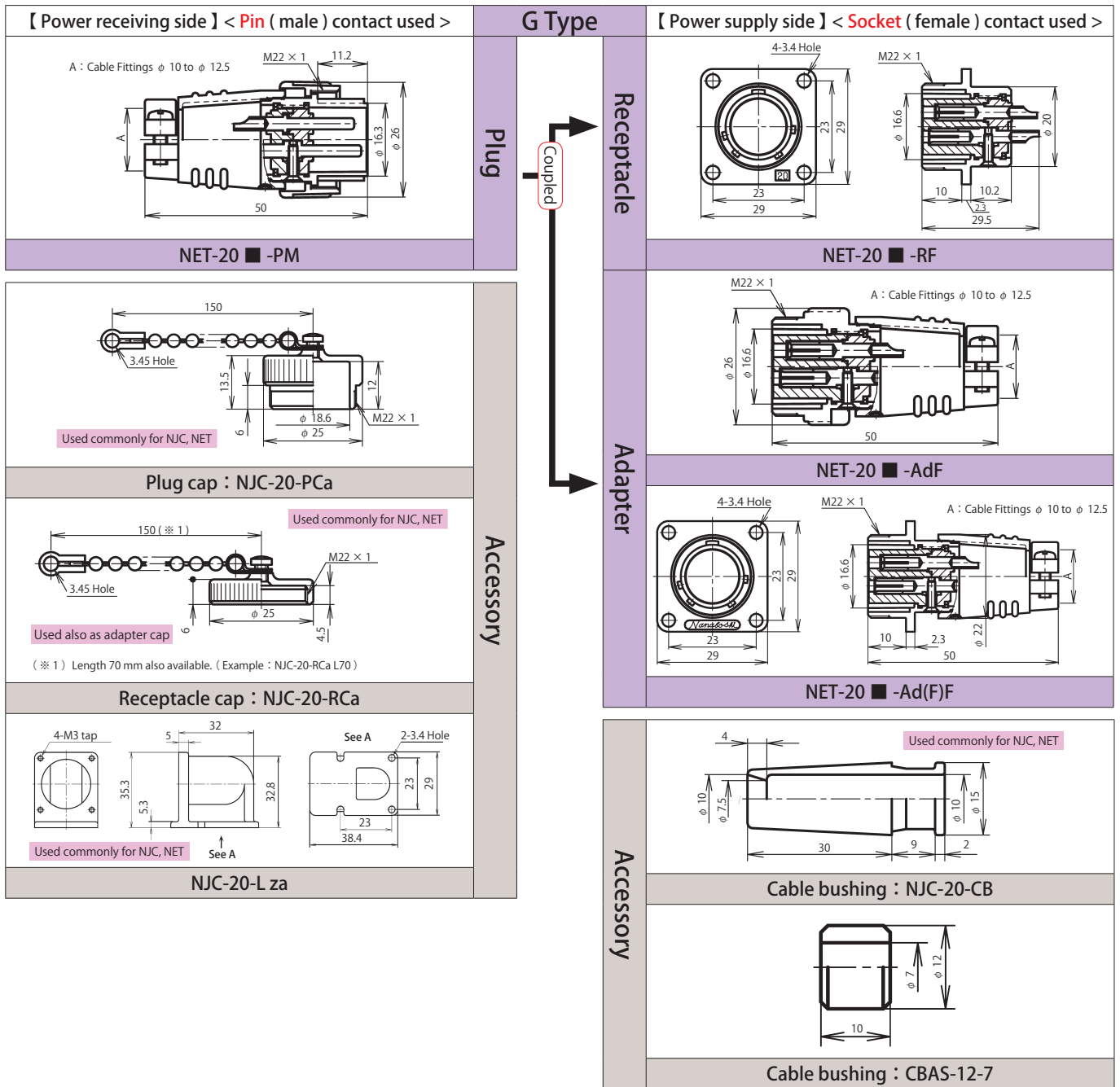
	Material	Finish
Shell	Shell size 20, 24 : Zinc alloy Shell size 28, 32 : Aluminum alloy	Crape chrome plating
Insulator	Synthetic resin	—
Contact	Copper alloy	Silver plating

## Operating temperature range

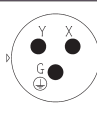
Shell size	Number of Contacts	Operating temperature range	Upper limit of ambient temperature at rated current ( Note )	
20	3	-25°C to +85°C	+80°C	
24	3		+70°C	
	4		+80°C	
28	4		+70°C	
	8		+93°C	
32	3		-40°C to +100°C	+70°C
	4			+70°C

( Note ) Max.ambient temp. at rated current

( Based on TÜV certification test results )

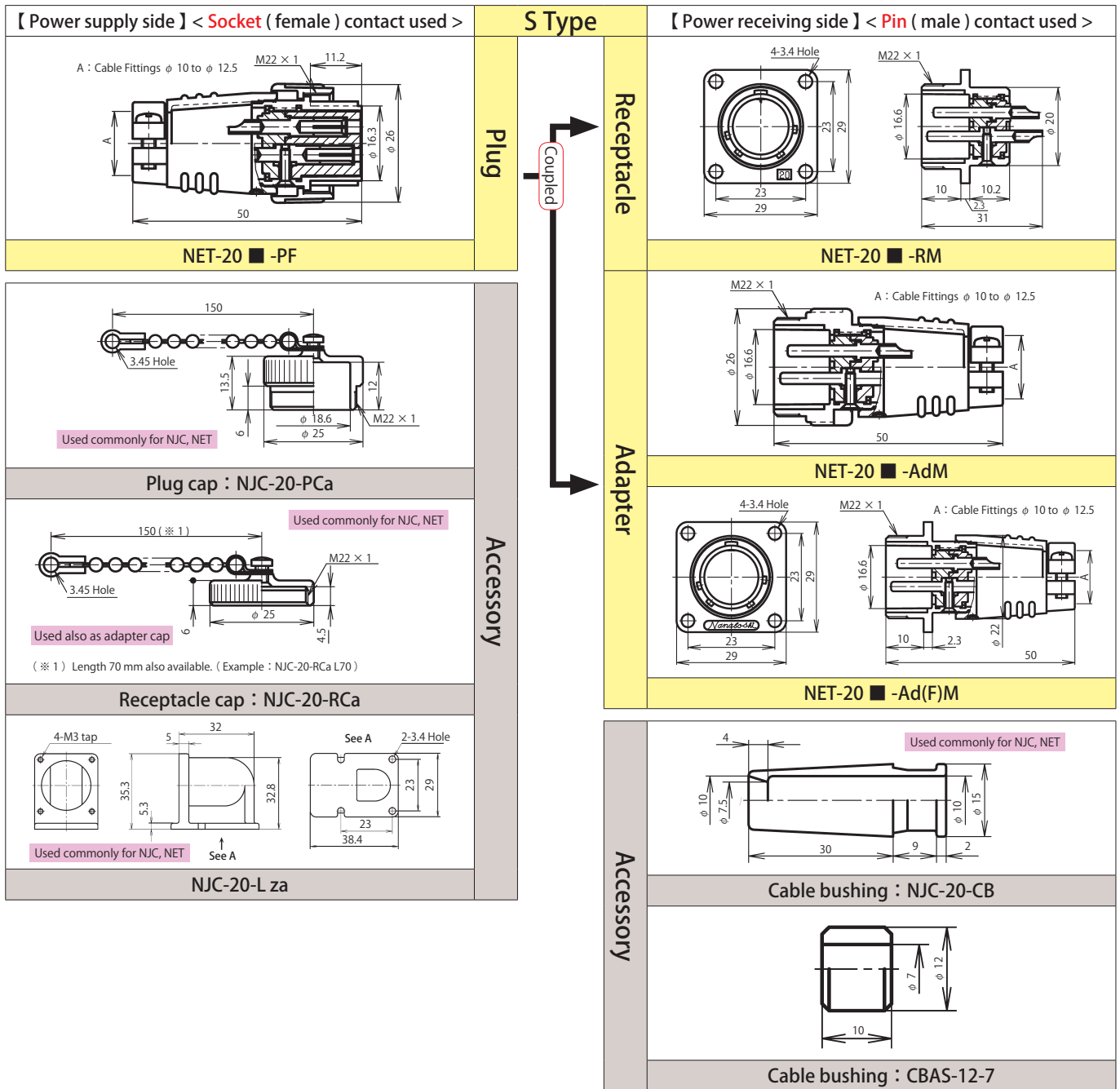


■ indicates the number of contacts.

Shell size	Number of Contacts	3
20	<b>Contact arrangement</b> <When viewed from the pin (male) contact coupling side>	
	<b>Safety standard (Note-1)</b>	UL · CSA , TÜV
	<b>Rating</b>	250V
		15A
	<b>Withstand voltage (V r.m.s.)</b>	1,500
<b>Wire size AWG</b>	#14	

The cable to use should have a conductor cross sectional area shown in the left-side table.


Note-1 : All connectors are UL · CSA , TÜV certified. Not necessary to specify a standard by a product name. For safety standards, see pp.127 and 130.



NET

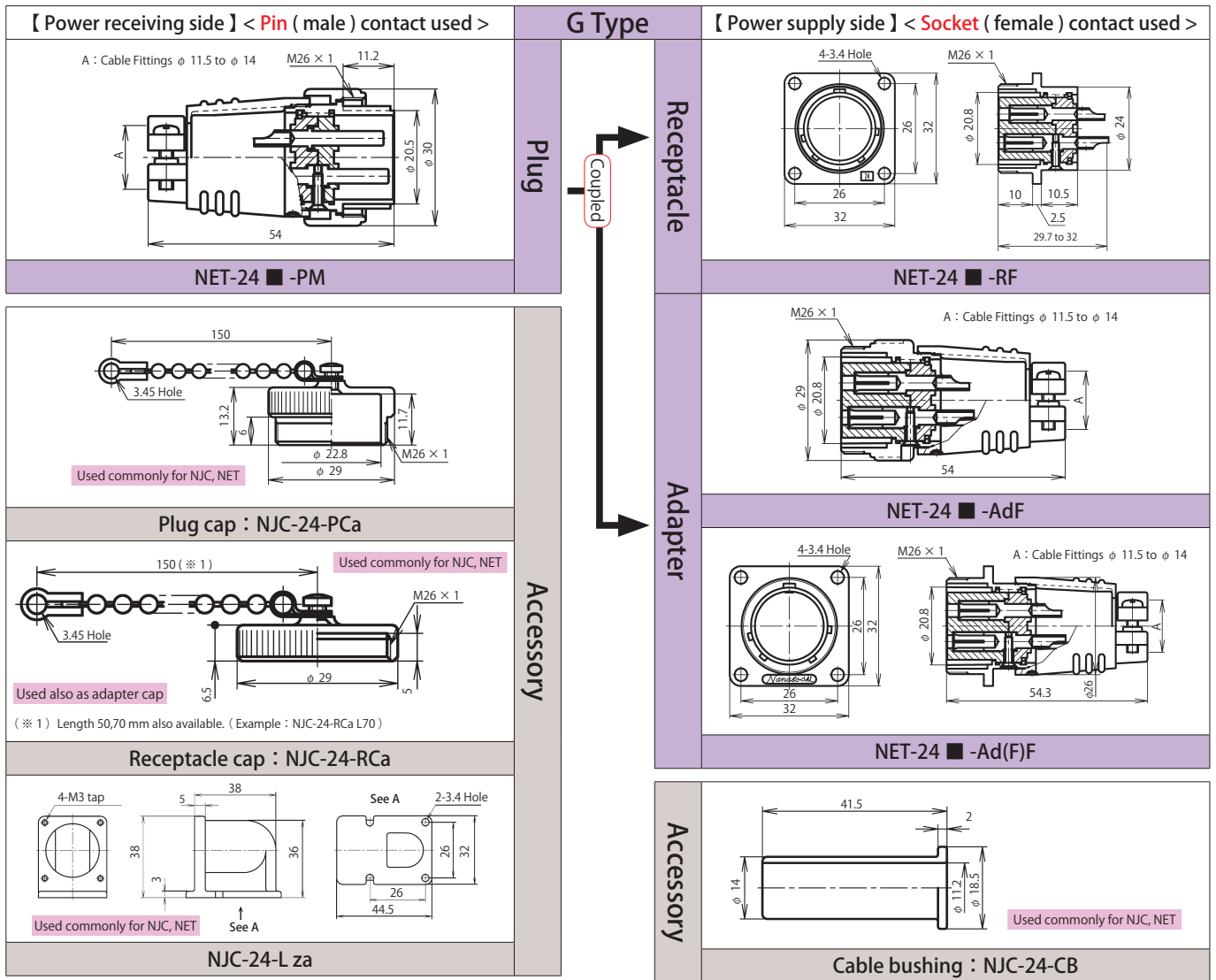
20

■ indicates the number of contacts.

Shell size	Number of Contacts	3
20	Contact arrangement <When viewed from the pin (male) contact coupling side>	
	Safety standard (Note-1)	UL·CSA, TÜV
	Rating	250V
		15A
	Withstand voltage (V r.m.s.)	1,500
Wire size AWG	#14	

The cable to use should have a conductor cross sectional area shown in the left-side table.

Note-1 : All connectors are UL · CSA , TÜV certified. Not necessary to specify a standard by a product name. For safety standards, see pp.127 and 130.



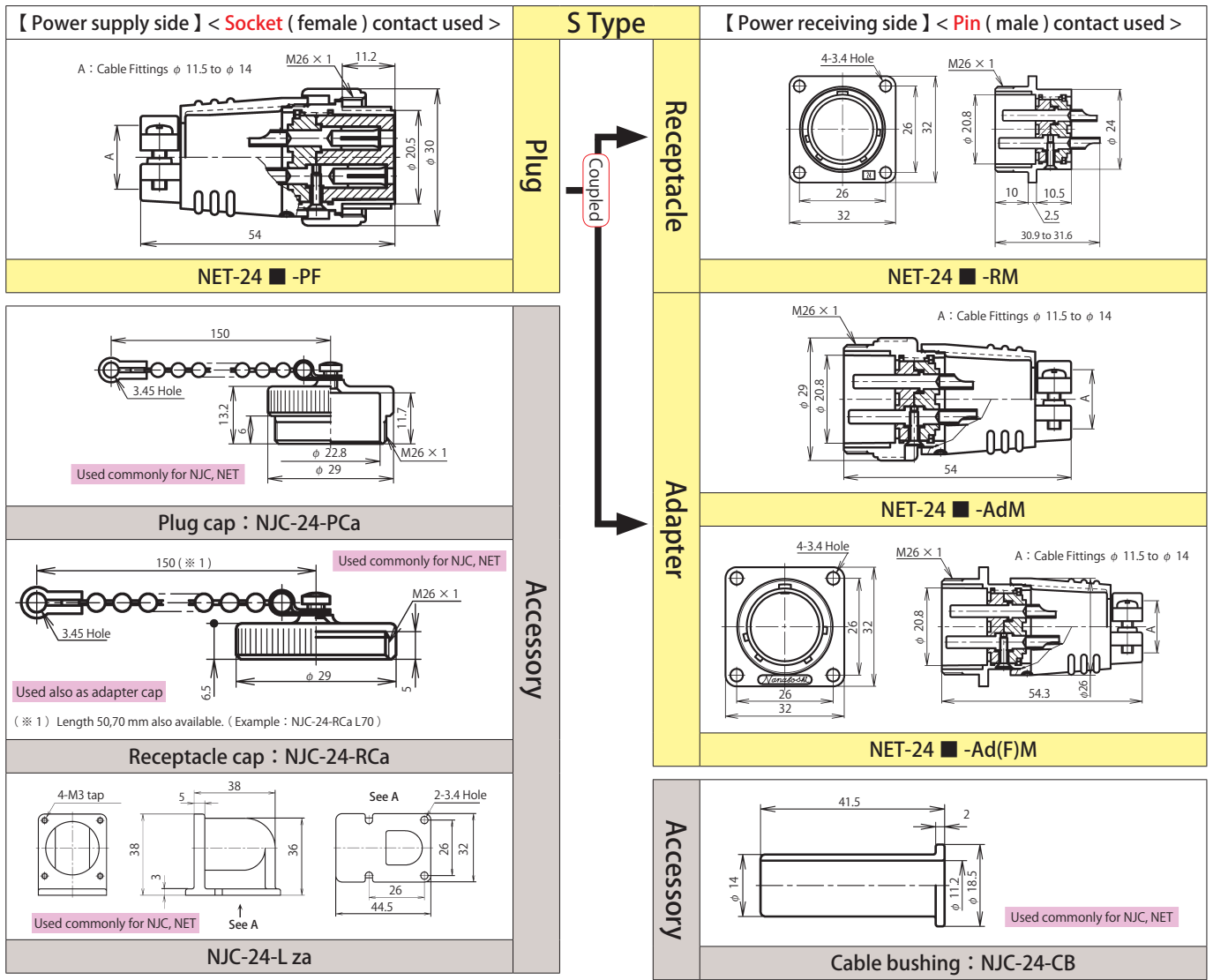
■ indicates the number of contacts.

Shell size	Number of Contacts	3	4
24	Contact arrangement <When viewed from the pin (male) contact coupling side>		
	Safety standard ( Note-1 )	UL · CSA , TÜV	
	Rating	250V	
		20A	15A
	Withstand voltage ( V r.m.s. )	1,500	
Wire size AWG	#12	#14	

The cable to use should have a conductor cross sectional area shown in the left-side table.

Note-1 : All connectors are UL · CSA , TÜV certified. Not necessary to specify a standard by a product name. For safety standards, see pp.127 and 130.





NET

24

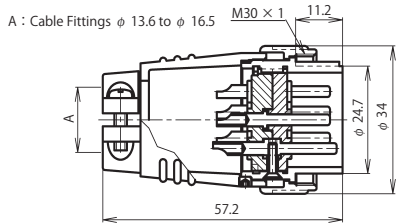
■ indicates the number of contacts.

Shell size	Number of Contacts	3	4
24	<b>Contact arrangement</b> <When viewed from the pin (male) contact coupling side>		
	<b>Safety standard ( Note-1 )</b>	UL · CSA , TÜV	
	<b>Rating</b>	250V	
		20A	15A
	<b>Withstand voltage ( V r.m.s. )</b>	1,500	
<b>Wire size AWG</b>	#12	#14	

The cable to use should have a conductor cross sectional area shown in the left-side table.

Note-1 : All connectors are UL · CSA , TÜV certified. Not necessary to specify a standard by a product name. For safety standards, see pp.127 and 130.

## 【 Power receiving side 】 < Pin ( male ) contact used >



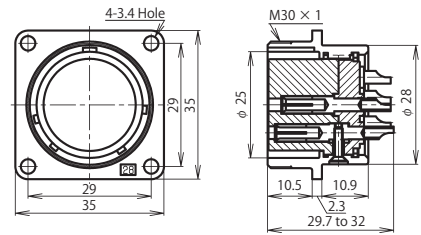
NET-28 ■ -PM

Plug

## G Type

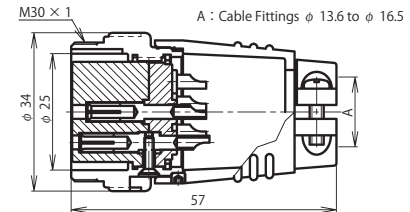
Coupled

## 【 Power supply side 】 < Socket ( female ) contact used >



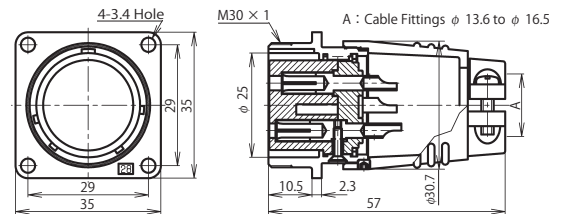
NET-28 ■ -RF

Receptacle

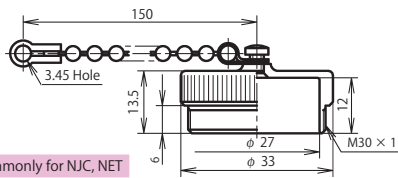


NET-28 ■ -AdF

Adapter

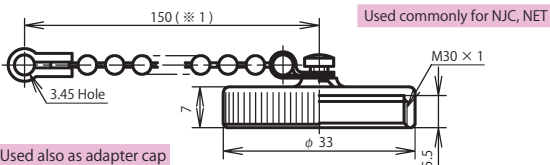


NET-28 ■ -Ad(F)F



Used commonly for NJC, NET

Plug cap : NJC-28-PCa



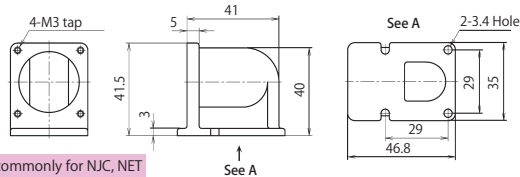
Used commonly for NJC, NET

Used also as adapter cap

(※ 1) Length 70 mm also available. ( Example : NJC-28-RCa L70 )

Receptacle cap : NJC-28-RCa

Accessory



Used commonly for NJC, NET

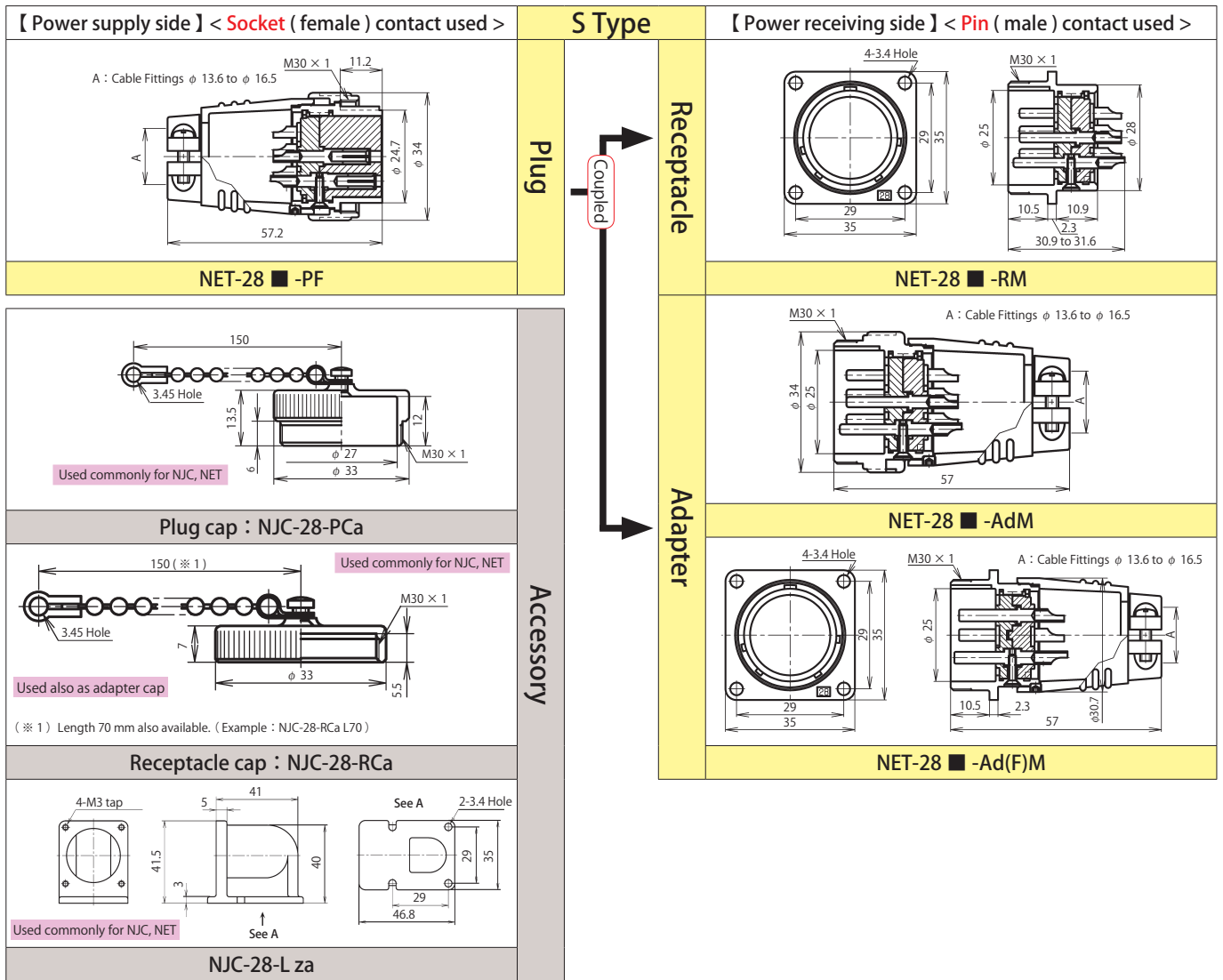
NJC-28-L za

■ indicates the number of contacts.

Shell size	Number of Contacts	4	8
28	Contact arrangement <When viewed from the pin (male) contact coupling side>		
	Safety standard ( Note-1 )	UL · CSA , TÜV	
	Rating	250V	
		20A	15A
	Withstand voltage ( V r.m.s. )	1,500	
Wire size AWG	#12	#14	

The cable to use should have a conductor cross sectional area shown in the left-side table.

Note-1 : All connectors are UL · CSA , TÜV certified. Not necessary to specify a standard by a product name. For safety standards, see pp.127 and 130.



NET

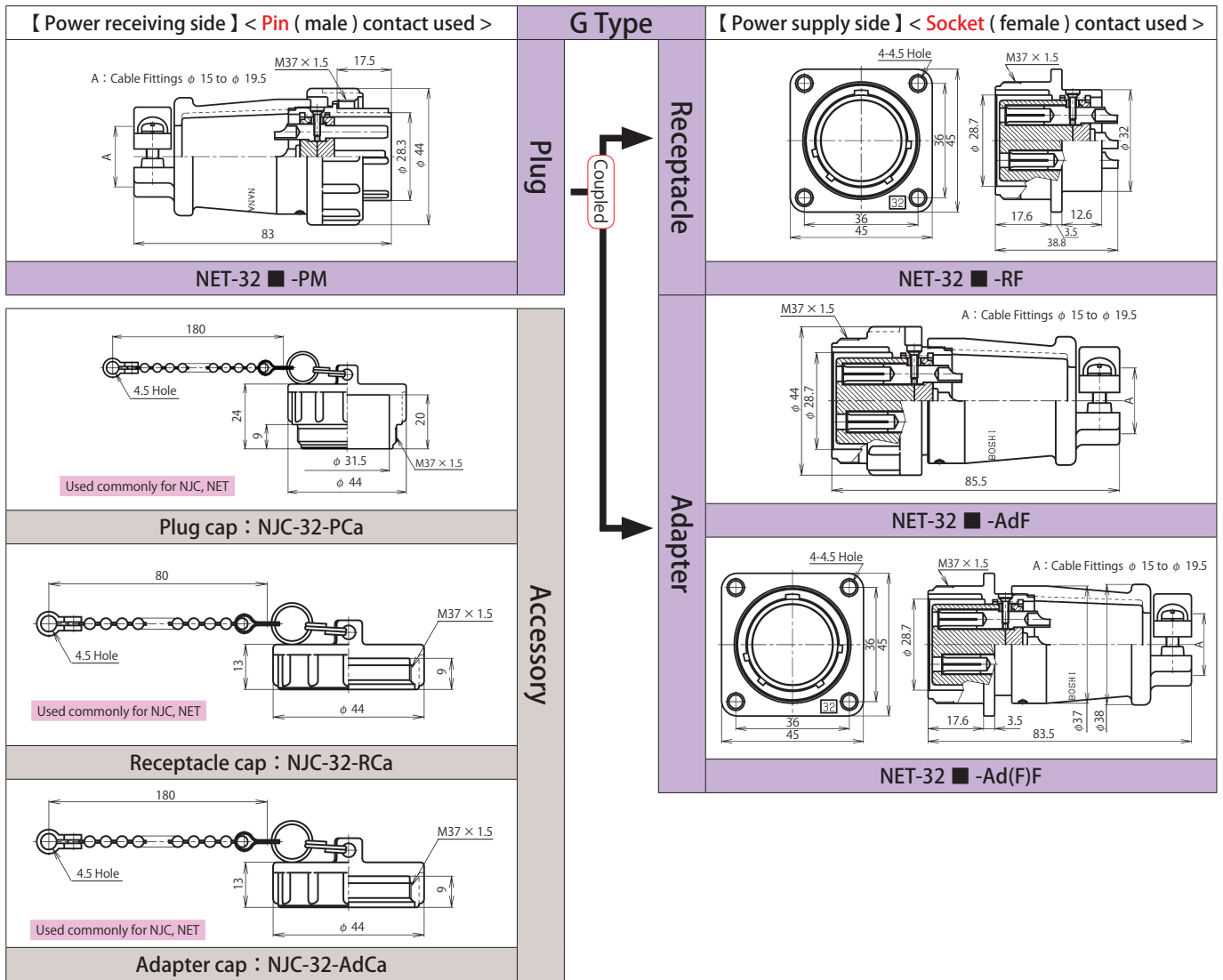
28

■ indicates the number of contacts.

Shell size	Number of Contacts	4	8
28	Contact arrangement <When viewed from the pin (male) contact coupling side>		
	Safety standard ( Note-1)	UL · CSA , TÜV	
	Rating	250V	
		20A	15A
	Withstand voltage ( V r.m.s. )	1,500	
Wire size AWG	#12	#14	

The cable to use should have a conductor cross sectional area shown in the left-side table.


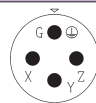
Note-1 : All connectors are UL · CSA , TÜV certified. Not necessary to specify a standard by a product name. For safety standards, see pp.127 and 130.



NET

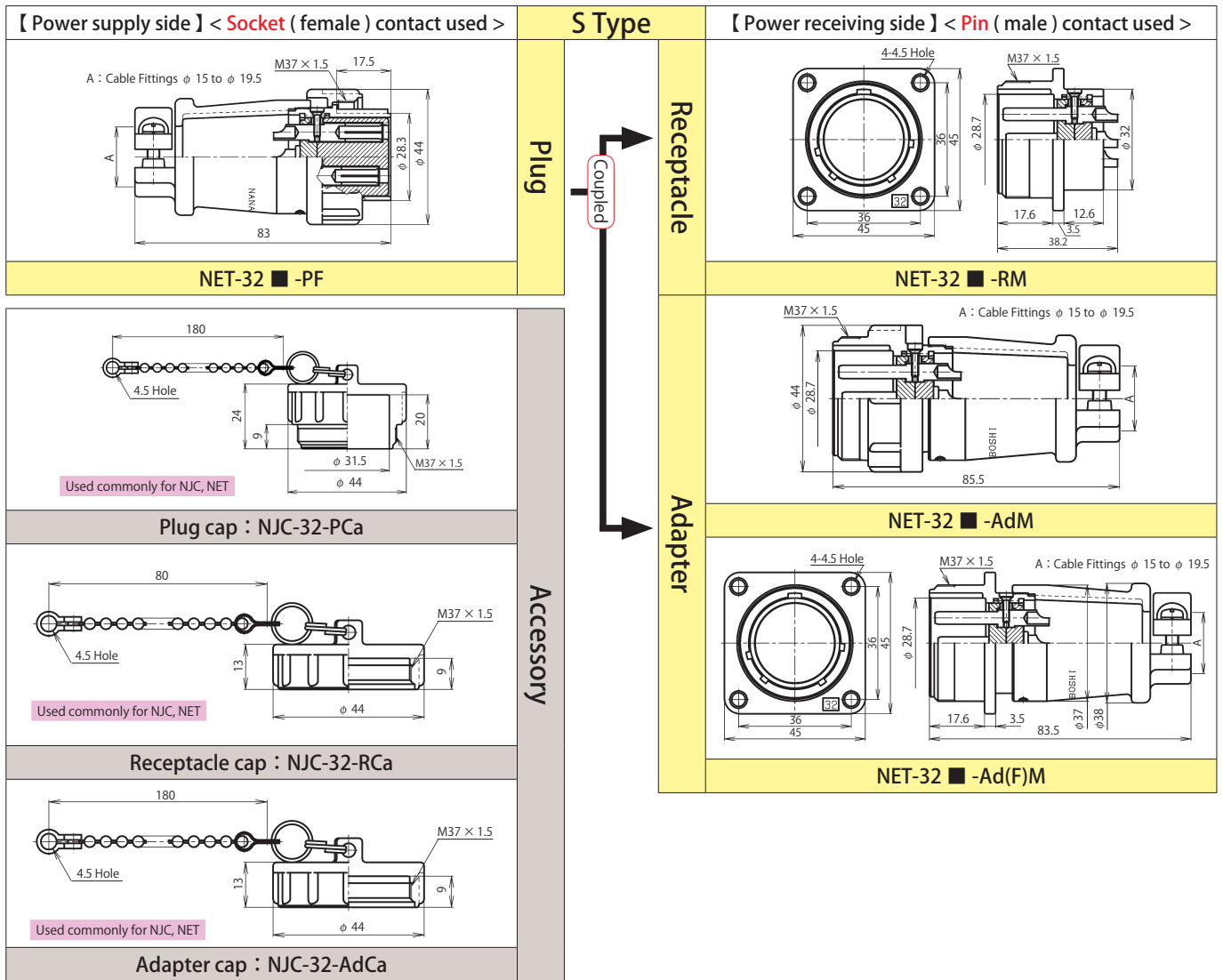
32

■ indicates the number of contacts.

Shell size	Number of Contacts	3	4
32	<b>Contact arrangement</b> <When viewed from the pin (male) contact coupling side>		
	Safety standard (Note-1)	UL · CSA , TÜV	
	Rating	250V	
		30A	
	Withstand voltage (V r.m.s.)	2,000	
Wire size AWG	#10		

The cable to use should have a conductor cross sectional area shown in the left-side table.

Note-1 : All connectors are UL · CSA , TÜV certified. Not necessary to specify a standard by a product name. For safety standards, see pp.127 and 130.



NET

32

■ indicates the number of contacts.

Shell size	Number of Contacts	3	4
32	Contact arrangement <When viewed from the pin (male) contact coupling side>		
	Safety standard (Note-1)	UL·CSA, TÜV	
	Rating	250V 30A	
	Withstand voltage (V r.m.s.)	2,000	
	Wire size AWG	#10	

The cable to use should have a conductor cross sectional area shown in the left-side table.

Note-1 : All connectors are UL · CSA , TÜV certified. Not necessary to specify a standard by a product name. For safety standards, see pp.127 and 130.

# NWPC Series



Waterproof equivalent to IP-X6

Safety standard certified products available

RoHS

### Overview

- Waterproof connectors based on NCS Series.
- Shell treated by brass + chrome plating.
- Robust and highly resistant to salt damage to make these connectors suitable for a wide variety of fields including civil engineering and construction machines , emergency power supply systems and ships.

### Feature

RoHS	RoHS Directive compliant
Waterproof	Waterproof connector 【 Waterproof function equivalent to IP-X6 when coupled 】
Lock method	Thread lock
Features of mechanism/ material	<ul style="list-style-type: none"> <li>○ Shell of brass treated by chrome plating to offer superior corrosion resistance.</li> <li>○ Cable draw-out part provided with cable clamp to ensure firm cable holding ( Size 14 excluded ).</li> </ul>
Standards	<ul style="list-style-type: none"> <li>○ &lt; CSA NRTL/C &gt; standard certified connectors available. ( CSA : C22.2 No.182.3 UL : 1977 )</li> </ul> <p><small>Note: The specifications of safety standard certified products are slightly different from those of standard products. For the rated voltage, current and cable conductor cross sectional area, refer to A List of Standards Acquired ( p.129 ).</small></p>
Cable termination	Soldering

### Characteristics

Insulation resistance , Withstand voltage , Contact resistance , Waterproof p.60



The pin contact type has an **exposed electrode**. If it is used on the [ power supply ] side, it may cause **electric shock** or **short-circuit accidents**. To prevent such accidents, use the socket contact type on the [ power supply ] side and the pin contact type on the [ equipment ] side.

[ When inserting or extracting the connector, do not turn the connector body. ]

# NWPC Series

**Product No. designation**

**NWPC - 25 ■ - P M □**

①      ②   ③   ④   ⑤   ⑥   ⑦   ⑧

- ① Series designation
- ② Shell size
- ③ Number of contacts
- ④ Shell shape
- ⑤ Contact shape < Pin ( male ) contact : M , Socket ( female ) contact : F >  
The S Type of NWPC Series in all shapes of PF, RM, AdM, etc. is indicated simply by P, R, Ad, etc. with the contact shape symbol omitted.
- ⑥ Symbol indicating cable packing size. 《 Plug & adapter require symbol to be specified. 》
- ⑦ Additional symbol (-CH) 《 Required only for Shell size 16 》
- ⑧ Safety standard specification ( < CSA NRTL/C > )  
 《 Required only when safety standard is to be specified. 》 For applicable products, see p.129.

**Cable termination : Soldering**

**Material and Finish**

	Material	Finish
Shell	Brass	Chrome plating Partially Tin-cobalt plating ( Shell size 16 only )
Insulator	Synthetic resin	—
Contact	Copper alloy	Shell size 14 , 16 , 25 , 30 : Nickel plating Shell size 40 , 44 , 50 , 54 , 60 , 64 : Silver plating Shell size 30 ( Number of contacts 7H , 13 ) : Gold plating
Packing	Synthetic rubber	—

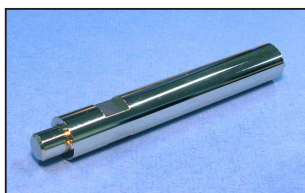
**Operating temperature range**

-40°C to +85°C

**Exclusive tools ( optional ) : Contact wrench, soldering iron tip set**

The contacts of rated current 80 A or over are constructed for removal from the insulator.  
 For soldering, remove the contact with a contact wrench.

《 Types of contact wrenches 》



**80A Contact Wrench**

Used for:

- NCS · NWPC-502 / 542
- NCS · NWPC-503 / 543
- NCS · NWPC-604 / 644

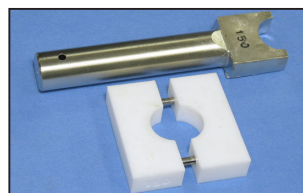


**150A Contact Wrench**

Used for:

- NCS · NWPC-602 / 642
- NCS · NWPC-603 / 643

《 Soldering iron tip set 》



Usable soldering iron 200 W  
 Iron tip inserting diameter φ 16 mm or over  
 Iron tip temperature setting 420°C to 450°C

Set name \* A set of iron tip and heat insulator.

- For 80A contact → SS80-KB
- For 150A contact → SS150-KB

They are also available individually.

- For 80A contact
  - 【 Iron tip → SS80-K 】 【 Heat insulator → SS80-B 】
- For 150A contact
  - 【 Iron tip → SS150-K 】 【 Heat insulator → SS150-B 】

**【 80A Contact Wrench, 150A Contact Wrench 】**

One tool is usable for installation and removal of a male and female contact.

# NWPC Series Characteristics

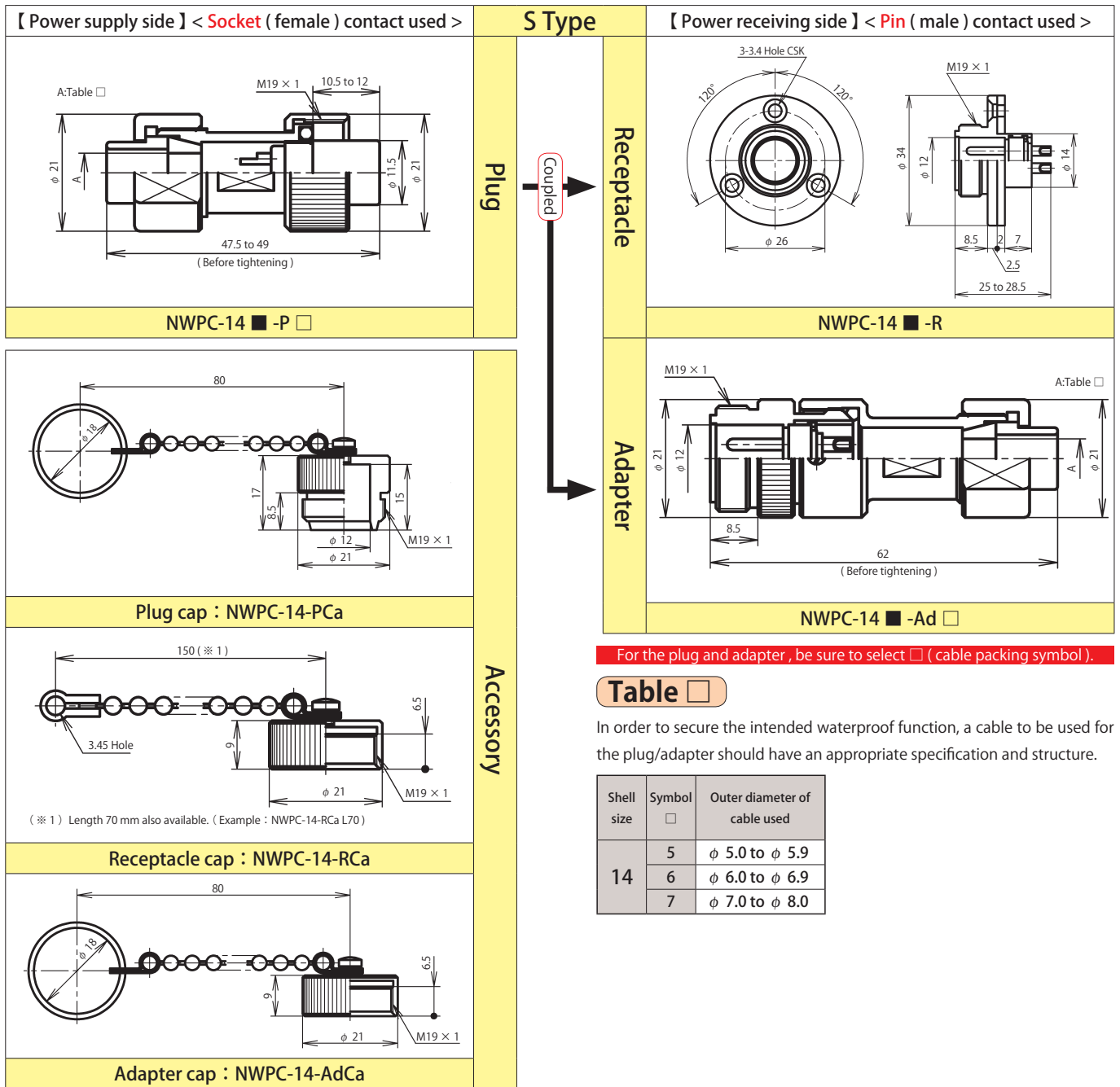
Shell size	Contact	Insulation resistance (M Ω)		contact resistance (m Ω)		Withstand voltage (V r.m.s.)							
		S Type	G Type	S Type	G Type	S Type	G Type						
		Number of contacts											
14	1	DC 500V 2,000 min.	—	3 max.	—	1,000	—						
	2		—		—								
16	1	DC 500V 2,000 min.	—	3 max.	—	1,000	—						
	2		DC 500V 2,000 min.		3		1,000	1,000					
	3				—			—	—				
	4		—		—		—						
25	2	DC 1,000V 2,000 min.	DC 1,000V 2,000 min.	3 max.	3 max.	2,000	2,000						
	3							1,800	1,800				
	4									—	—		
	5					—	—						
	6							—	—				
	7									—	—		
8	—	—											
30			2	DC 1,000V 2,000 min.	DC 1,000V 2,000 min.	3 max.	3 max.	2,000	2,000				
			3							1,800	1,800		
	4	—	—										
	5											—	—
	6							—	—				
	7									—	—		
	8	—	—										
	7H											—	—
13	—			—									
40 (S Type)					2	DC 1,000V 2,000 min.	DC 1,000V 2,000 min.	3 max.	3 max.	2,500	2,500		
		3	2,000		2,000								
		4										—	—
	5	—		—									
	6												
	7									—	—		
	8		—		—								
	10											—	—
	12	—		—									
	16												
20	—					—							
44 (G Type)			8		DC 1,000V 2,000 min.		DC 1,000V 2,000 min.	3 max.	3 max.	1,800	1,800		
			10									—	—
		12	—	—									
		16								—	—		
	20	—				—							
	20		—	—									

Shell size	Contact	Insulation resistance (M Ω)		contact resistance (m Ω)		Withstand voltage (V r.m.s.)					
		S Type	G Type	S Type	G Type	S Type	G Type				
		Number of contacts									
50 (S Type)	2	DC 1,000V 5,000 min.	DC 1,000V 5,000 min.	1 max.	1 max.	3,000	3,000				
	3							2,500	2,500		
	4									—	—
	8					—	—				
	10							—	—		
	15									—	—
25	—	—									
54 (G Type)			2	DC 1,000V 2,000 min.	DC 1,000V 2,000 min.	3 max.	3 max.	2,000	2,000		
			3							1,800	1,800
	4	—	—								
	10										
	15							—	—		
	25									—	—
	30	—	—								
	32										
40	—			—							
60					2	DC 1,000V 5,000 min.	—	1 max.	—	3,000	—
		3	2,500		2,000						
		4								—	—
	10	—	—								
15	—			—							
30		—	—								
32	—			—							
40		—	—								
64	2			—	DC 1,000V 5,000 min.	—	1 max.	—	3,000		
	3	—	—								
	4									—	—

■ includes safety standard compliant products.

(Waterproof) No trace of water exposure after being submerged 5 cm below water for 24 hours in the coupled state in its normal state of use.

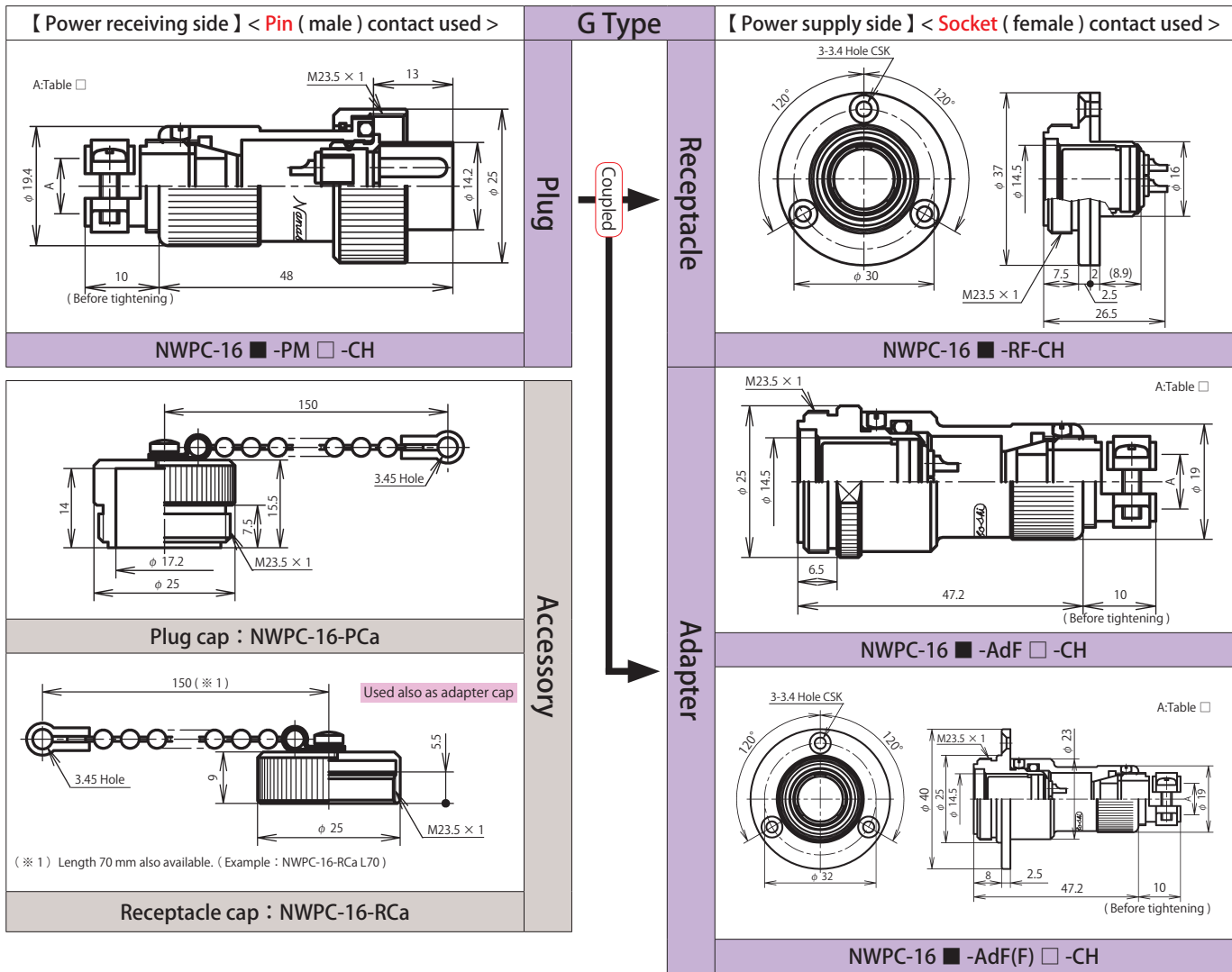




■ indicates the number of contacts. The conductor cross sectional area is less than the following value.

Shell size	Number of Contacts	1	2
14	Contact arrangement <When viewed from the pin (male) contact coupling side>		
	Safety standard	—	
	Rating	125V 5A	
	Limit operating voltage (Note-1)	200V	
	Withstand voltage (V r.m.s.)	1,000	
Wire size (mm <sup>2</sup> )	0.75		

Note-1 : For the limit operating voltage, see p.131.



"-CH" is an additional symbol of renewed products. They are interchangeable with products before renewal.

For the plug and adapter, be sure to select □ ( cable packing symbol ).

**Table** □

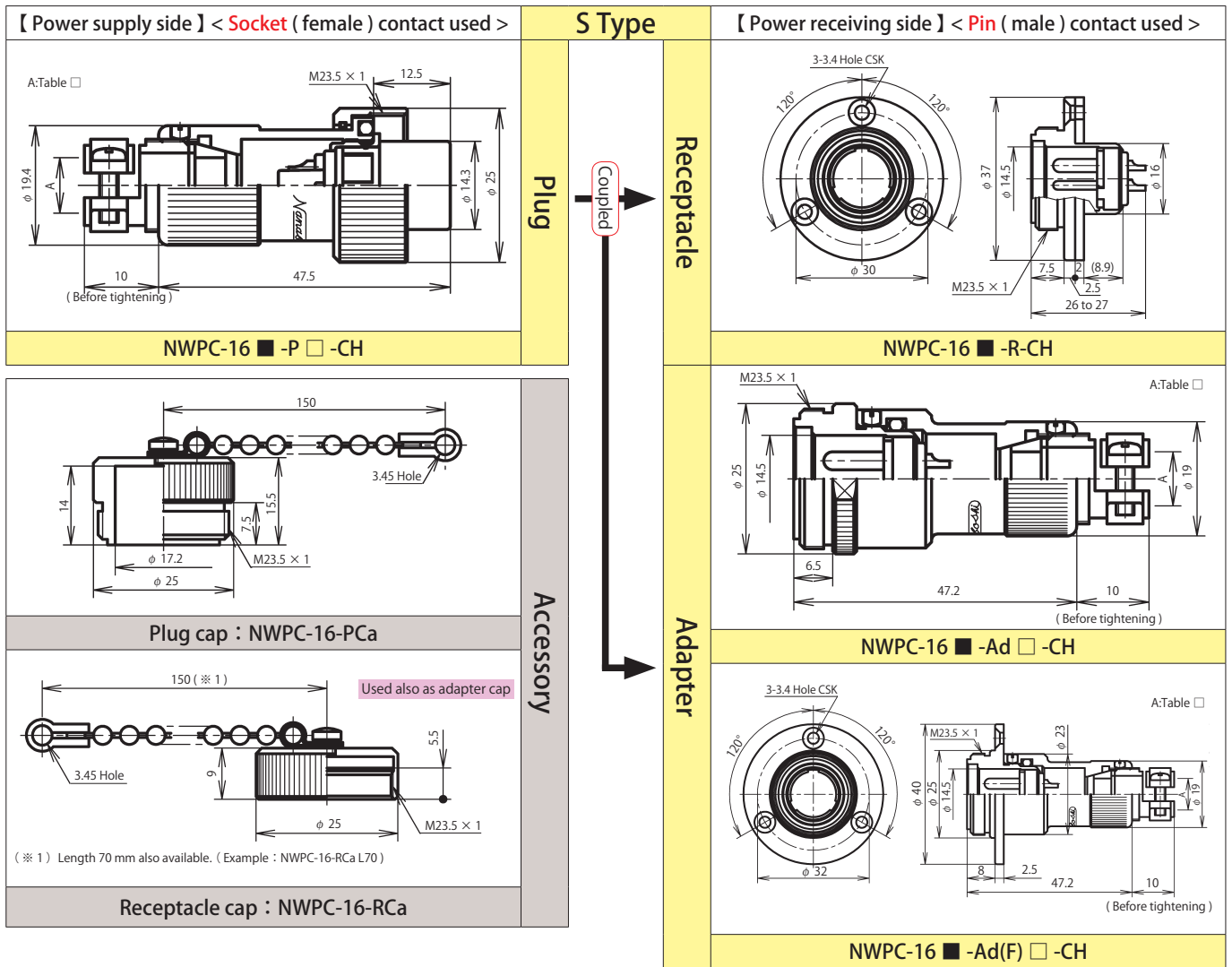
In order to secure the intended waterproof function, a cable to be used for the plug/adapter should have an appropriate specification and structure.

Shell size	Symbol □	Outer diameter of cable used
16	5	$\phi 4.5$ to $\phi 6.0$
	7	$\phi 6.1$ to $\phi 8.0$
	9	$\phi 8.1$ to $\phi 10.0$

■ indicates the number of contacts. The conductor cross sectional area is less than the following value.

Shell size	Number of Contacts	2	3
16	Contact arrangement <When viewed from the pin (male) contact coupling side>		
	Rating	125V 5A	
	Limit operating voltage (Note-1)	200V	
	Withstand voltage ( V r.m.s. )	1,000	
	Wire size ( mm <sup>2</sup> )	0.75	

Note-1 : For the limit operating voltage, see p.131.



"-CH" is an additional symbol of renewed products. They are interchangeable with products before renewal.

For the plug and adapter, be sure to select □ (cable packing symbol).

### Table □

In order to secure the intended waterproof function, a cable to be used for the plug/adapter should have an appropriate specification and structure.

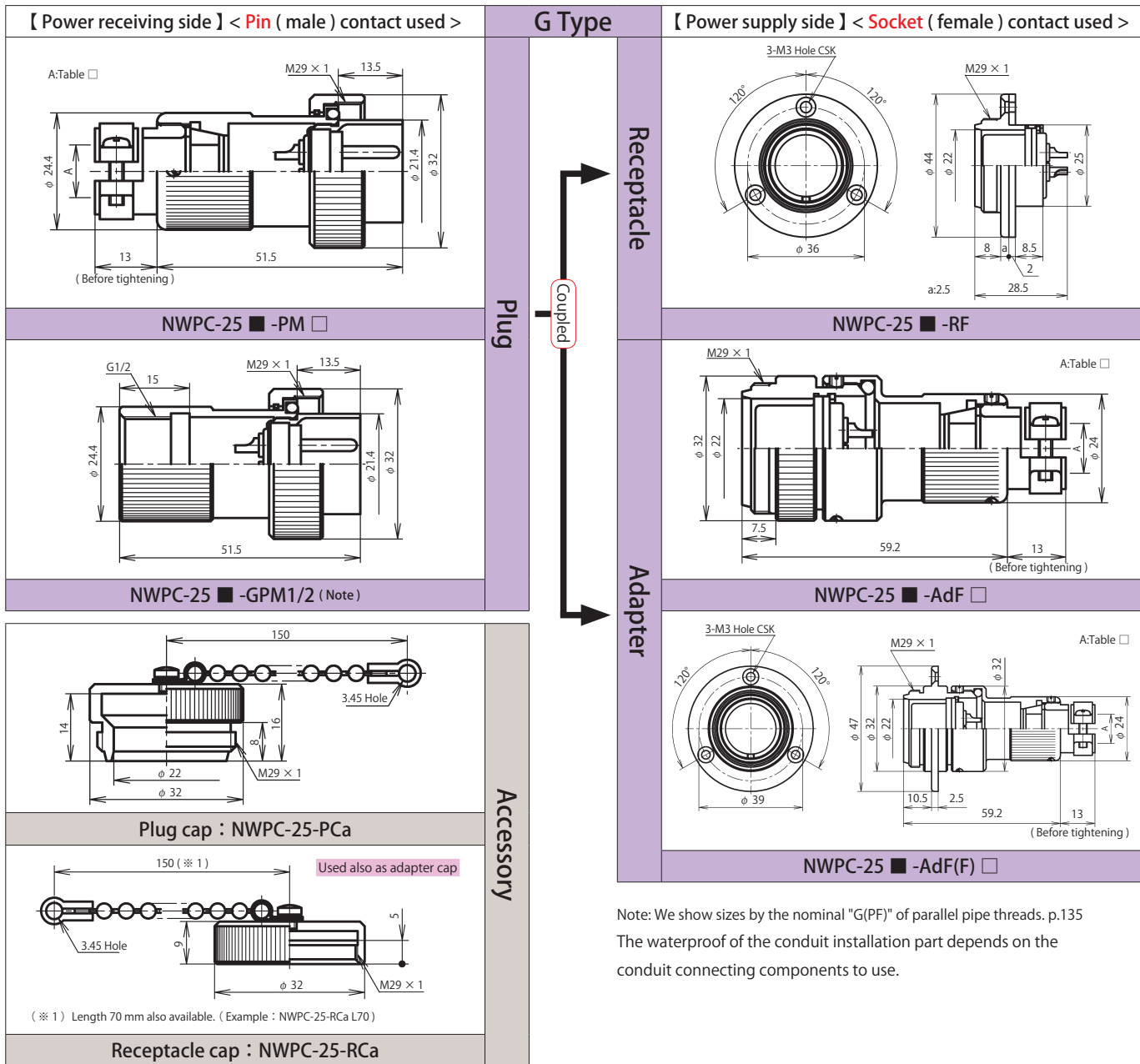
Shell size	Symbol □	Outer diameter of cable used
16	5	φ 4.5 to φ 6.0
	7	φ 6.1 to φ 8.0
	9	φ 8.1 to φ 10.0

■ indicates the number of contacts. The conductor cross sectional area is less than the following value.

Shell size	Number of Contacts	1	2	3	4
16	Contact arrangement <When viewed from the pin (male) contact coupling side>				
	Rating	125V 10A	125V 5A		
	Limit operating voltage (Note-1)	200V			
	Withstand voltage (V r.m.s.)	1,000			
	Wire size (mm <sup>2</sup> )	1.25	0.75		

Note-1 : For the limit operating voltage, see p.131.

# NWPC Series Shell Size 25



For the plug and adapter, be sure to select  (cable packing symbol).

## Table

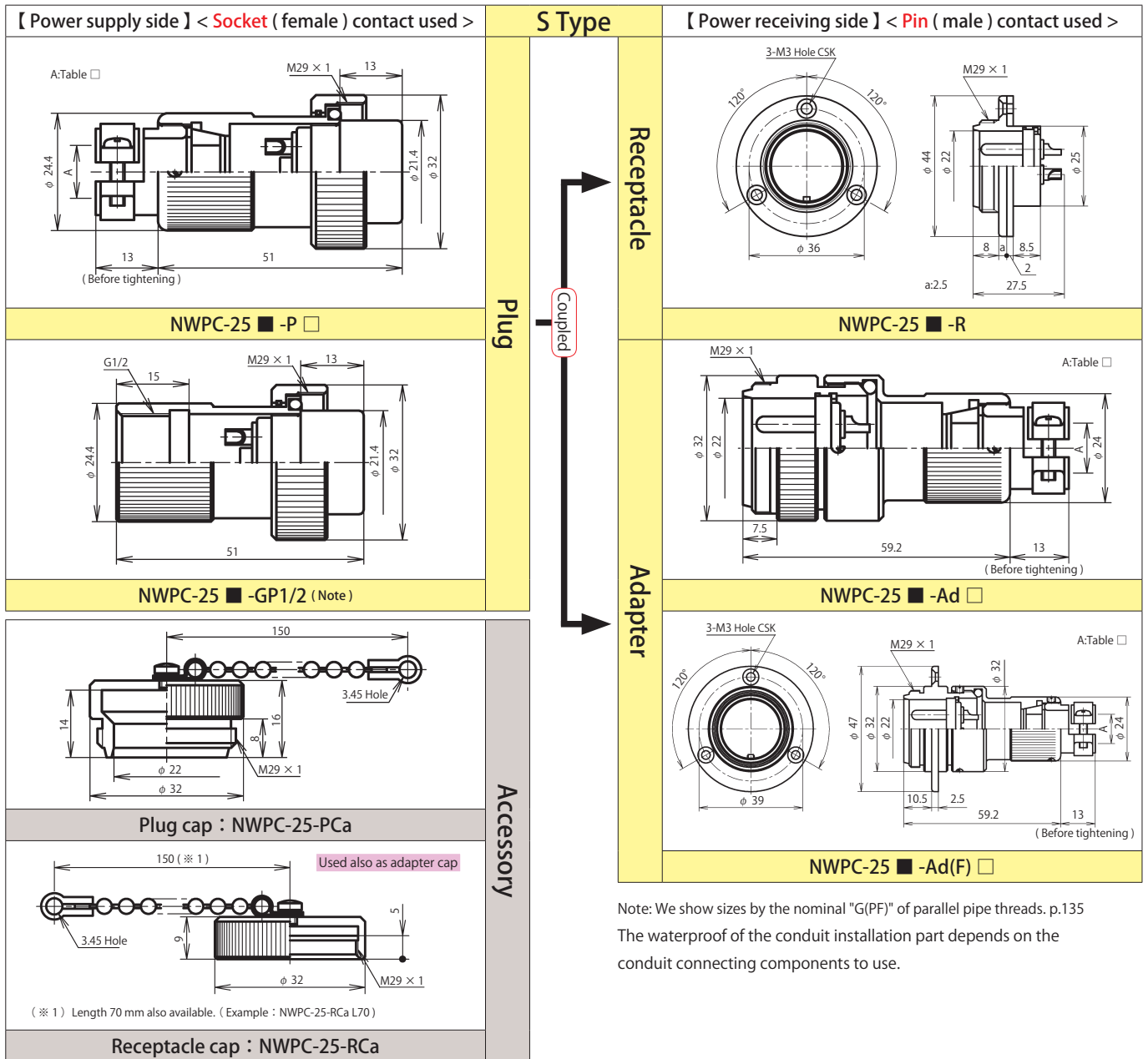
Shell size	Symbol <input type="checkbox"/>	Outer diameter of cable used
25	7	φ 6.5 to φ 8.0
	9	φ 8.1 to φ 10.0
	11	φ 10.1 to φ 12.0
	13	φ 12.1 to φ 14.0

In order to secure the intended waterproof function, a cable to be used for the plug/adapter should have an appropriate specification and structure.

■ indicates the number of contacts. The conductor cross sectional area is less than the following value.

Shell size	Number of Contacts	2	3	4	5	6	7
25	Contact arrangement <When viewed from the pin (male) contact coupling side>						
	Rating	250V 10A				250V 5A	
	Limit operating voltage (Note-1)	400V				300V	
	Withstand voltage (V r.m.s.)	2,000				1,800	
	Wire size (mm <sup>2</sup> )	2				1.25	

Note-1 : For the limit operating voltage, see p.131.



For the plug and adapter, be sure to select □ ( cable packing symbol ).

### Table □

Shell size	Symbol □	Outer diameter of cable used
25	7	φ 6.5 to φ 8.0
	9	φ 8.1 to φ 10.0
	11	φ 10.1 to φ 12.0
	13	φ 12.1 to φ 14.0

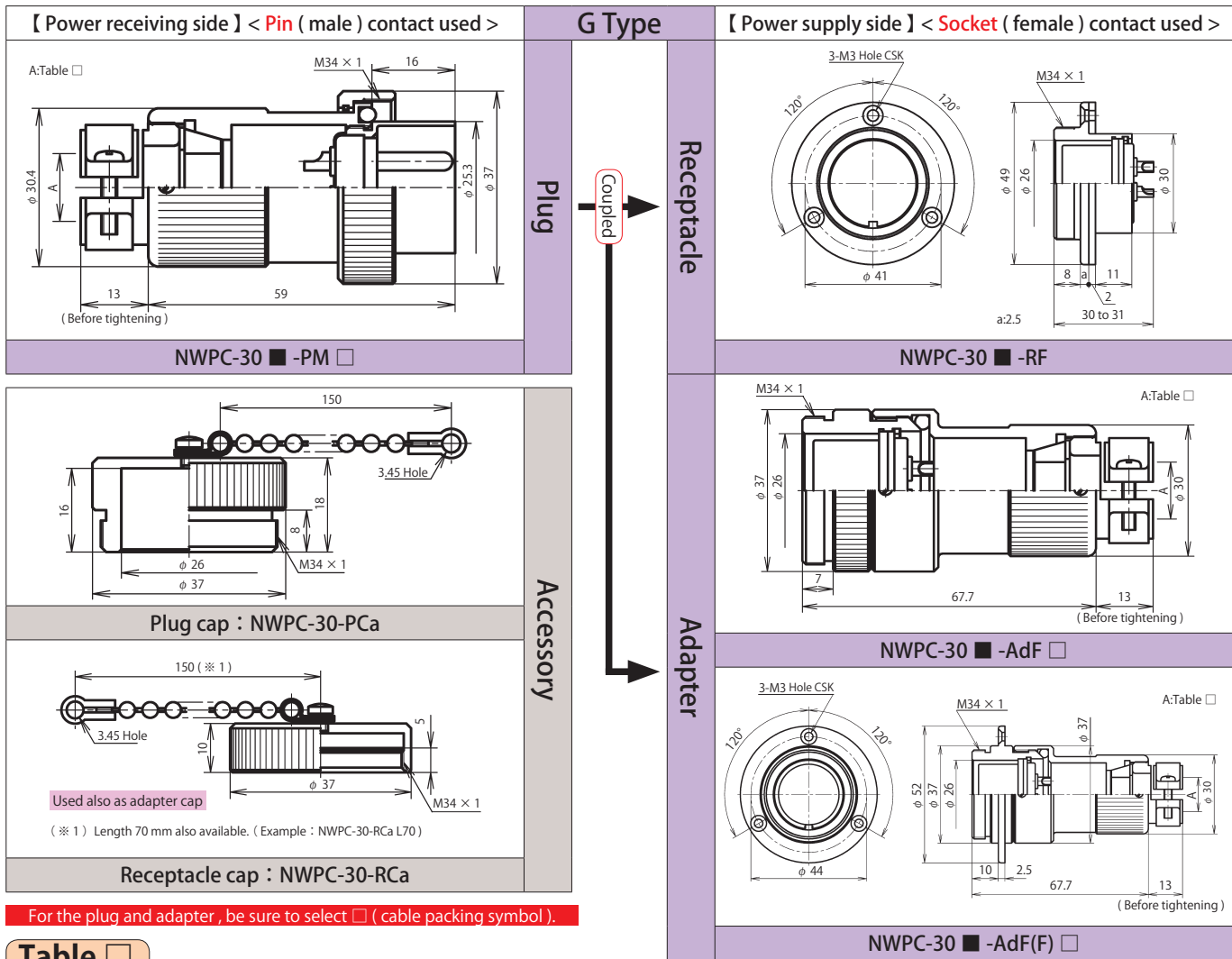
In order to secure the intended waterproof function, a cable to be used for the plug/adapter should have an appropriate specification and structure.

■ indicates the number of contacts. The conductor cross sectional area is less than the following value.

Shell size	Number of Contacts	2	3	4	5	6	7	8	
25	Contact arrangement <When viewed from the pin (male) contact coupling side>								
	Rating	250V 10A						250V 5A	
	Limit operating voltage (Note-1)	400V				300V			
	Withstand voltage ( V r.m.s. )	2,000				1,800			
	Wire size ( mm <sup>2</sup> )	2						1.25	

Note-1 : For the limit operating voltage, see p.131.

# NWPC Series Shell Size 30



## Table □

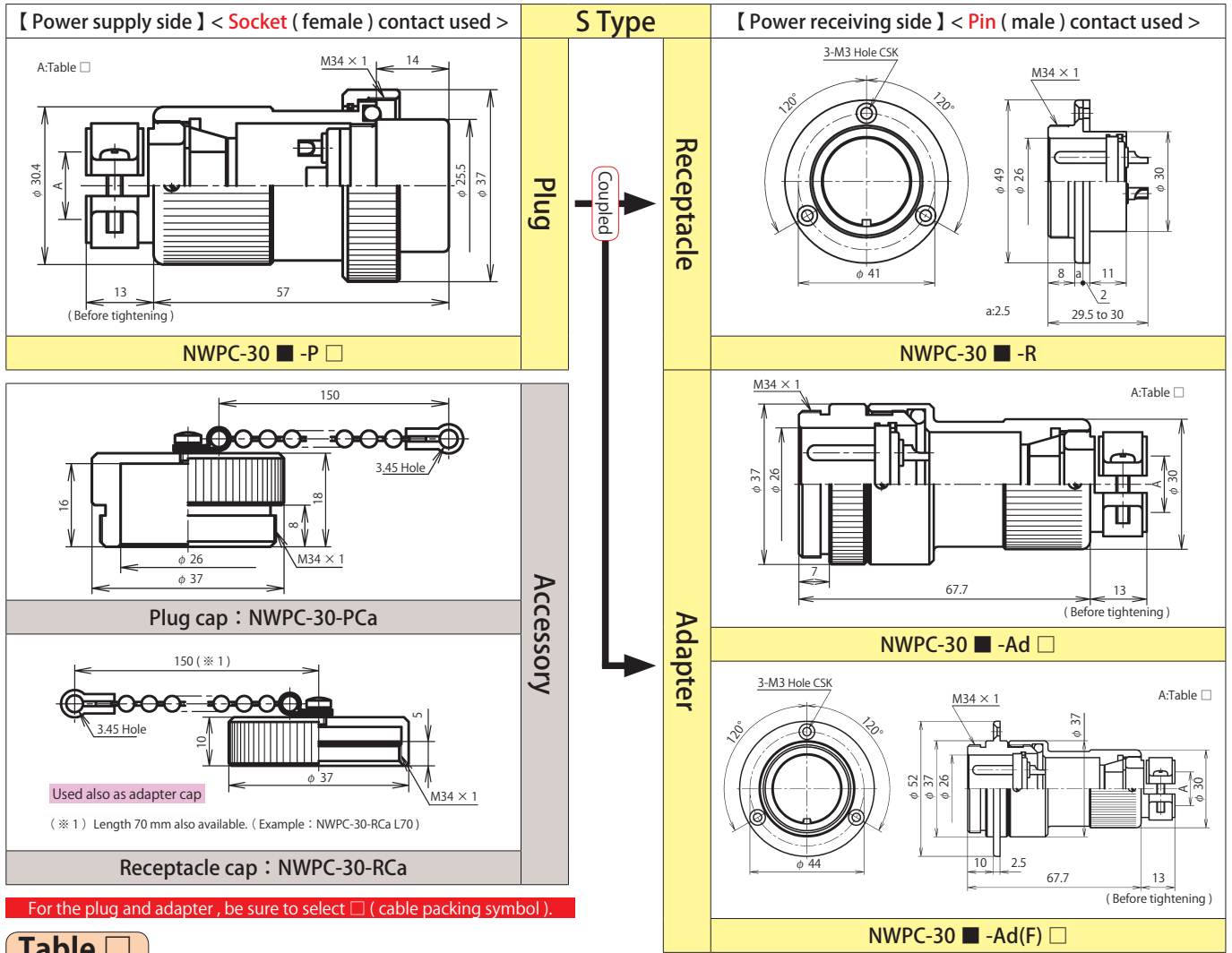
Shell size	Symbol □	Outer diameter of cable used
30	9	φ 8.0 to φ 10.0
	11	φ 10.1 to φ 12.0
	13	φ 12.1 to φ 14.0
	15	φ 14.1 to φ 16.4
	17	φ 16.5 to φ 18.0

In order to secure the intended waterproof function, a cable to be used for the plug/adapter should have an appropriate specification and structure.

■ indicates the number of contacts. The conductor cross sectional area is less than the following value.

Shell size	Number of Contacts	2	3	4	5	6	8
30	Contact arrangement <When viewed from the pin (male) contact coupling side>						
	Rating	250V 15A				250V 10A	250V 5A
	Limit operating voltage ( Note-1 )	400V				—	300V
	Withstand voltage ( V r.m.s. )	2,000				1,800	
	Wire size ( mm <sup>2</sup> )	2				1.25	

Note-1 : For the limit operating voltage, see p.131.



## Table □

Shell size	Symbol □	Outer diameter of cable used
30	9	$\phi 8.0$ to $\phi 10.0$
	11	$\phi 10.1$ to $\phi 12.0$
	13	$\phi 12.1$ to $\phi 14.0$
	15	$\phi 14.1$ to $\phi 16.4$
	17	$\phi 16.5$ to $\phi 18.0$

In order to secure the intended waterproof function, a cable to be used for the plug/adapter should have an appropriate specification and structure.

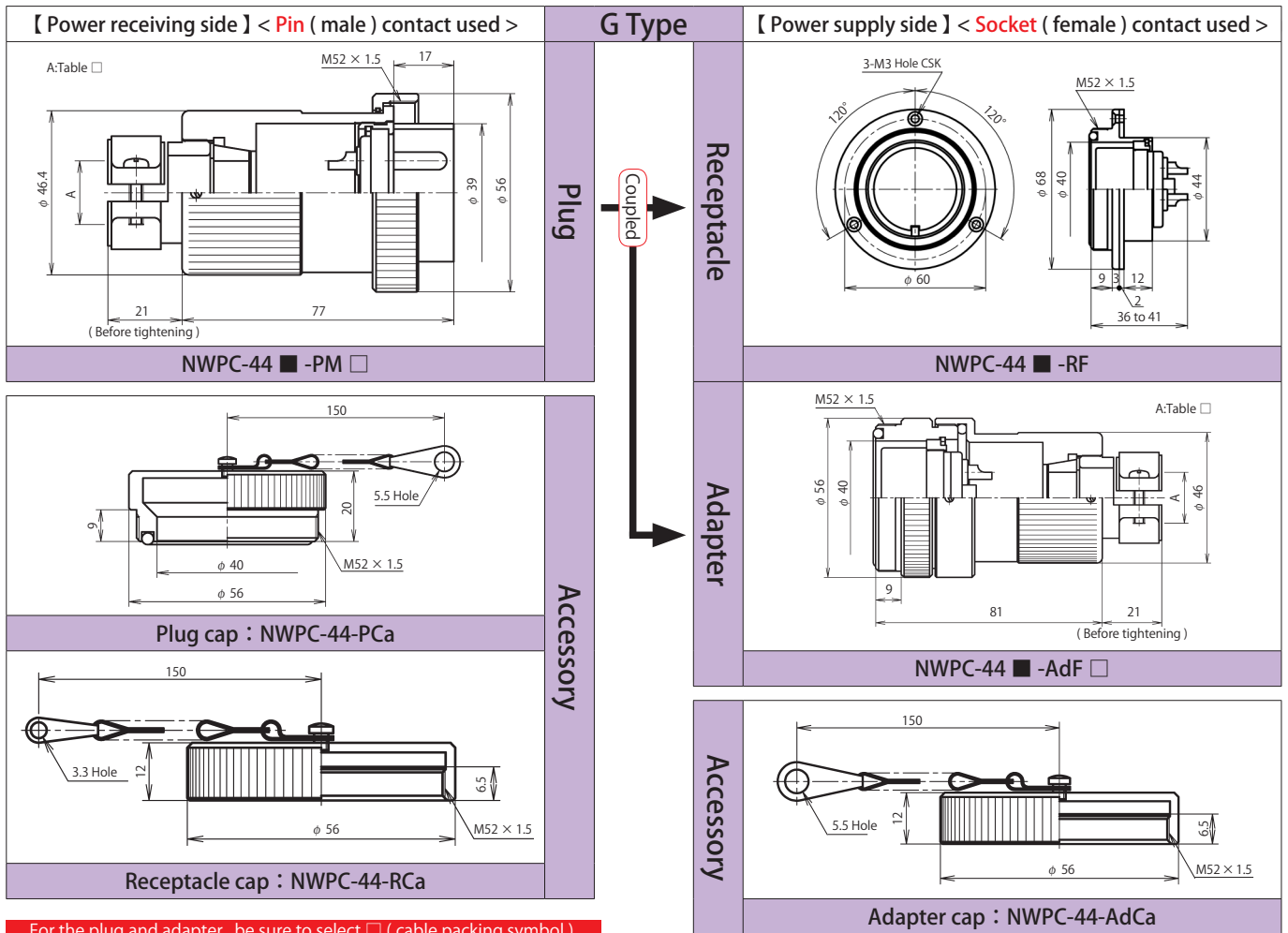
■ indicates the number of contacts. The conductor cross sectional area is less than the following value.

[ ] : Gold plating contact

Shell size	Number of Contacts	2	3	4	5	6	7	7H	8	13	
30	Contact arrangement <When viewed from the pin (male) contact coupling side>										
	Rating	250V 15A						250V[ 7A ]		250V 10A	250V[ 5A ]
	Limit operating voltage (Note-1)	400V						—		300V	—
	Withstand voltage (V r.m.s.)	2,000			1,800			1,500		1,800	1,500
	Wire size (mm <sup>2</sup> )	3.5		2			1.25		2		1.25

Note-1 : For the limit operating voltage, see p.131.

# NWPC Series Shell Size 44



For the plug and adapter, be sure to select □ (cable packing symbol).

## Table □

In order to secure the intended waterproof function, a cable to be used for the plug/adapter should have an appropriate specification and structure.

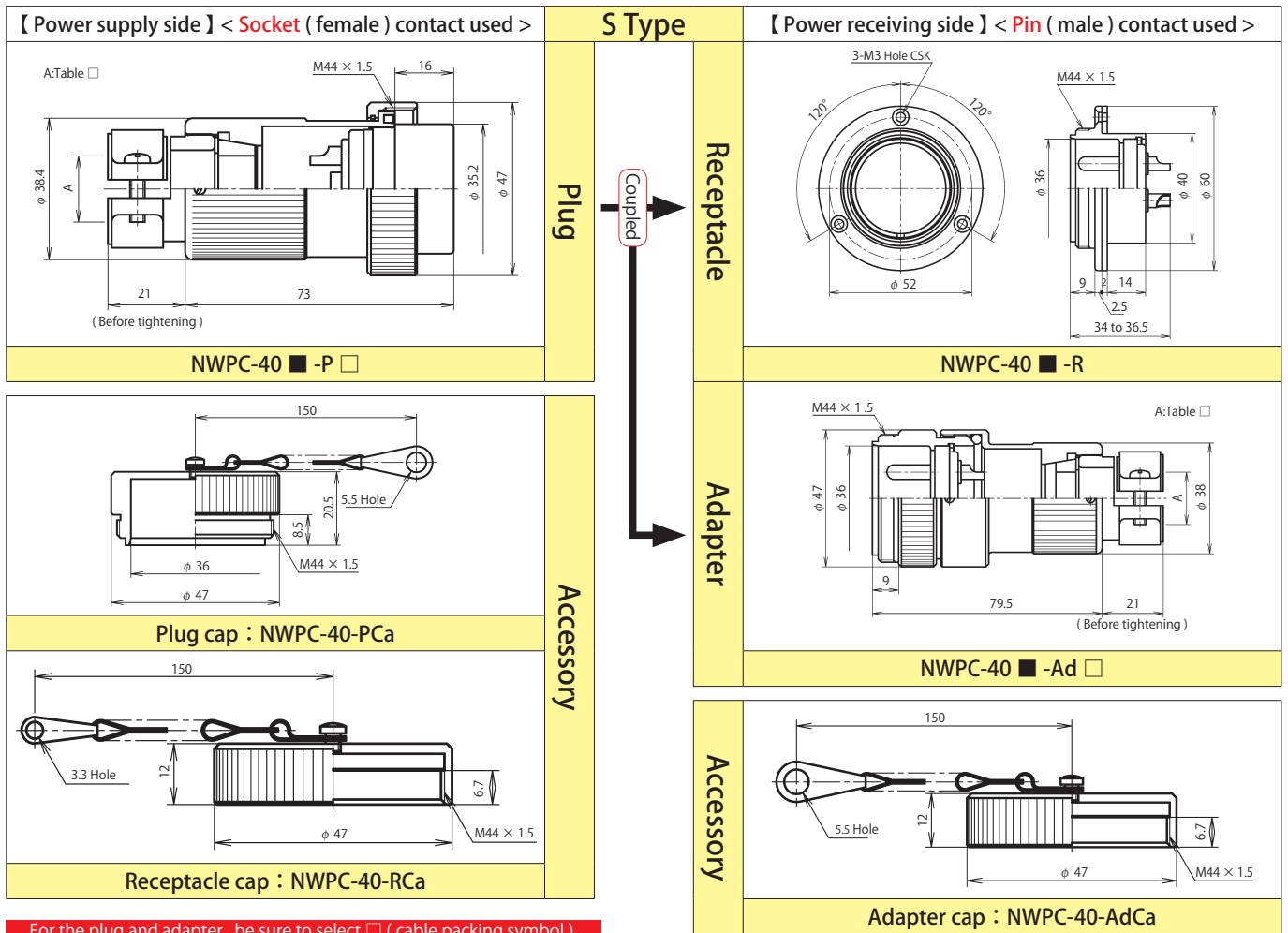
Shell size	Symbol □	Outer diameter of cable used
44	12	$\phi 11.0$ to $\phi 13.0$
	14	$\phi 13.1$ to $\phi 15.0$
	16	$\phi 15.1$ to $\phi 17.0$
	18	$\phi 17.1$ to $\phi 19.0$
	20	$\phi 19.1$ to $\phi 21.5$
	23	$\phi 21.6$ to $\phi 23.0$

■ indicates the number of contacts. The conductor cross sectional area is less than the following value.

Shell size	Number of Contacts	2	3	4	5	6	8	10	12	16	20
44	Contact arrangement <When viewed from the pin (male) contact coupling side>										
	Rating	250V 30A			250V 20A			250V 3pcs=10A 7pcs= 5A	250V 3pcs=10A 9pcs= 5A	250V 3pcs=10A 13pcs= 5A	250V 5A
	Limit operating voltage (Note-1)	500V			400V			300V			
	Withstand voltage (V r.m.s.)	2,500			2,000			1,800			
	Wire size (mm <sup>2</sup> )	5.5						3pcs=2 7pcs=1.25	3pcs=2 9pcs=1.25	3pcs=2 13pcs=1.25	1.25

Note-1 : For the limit operating voltage, see p.131.





For the plug and adapter, be sure to select  (cable packing symbol).

### Table

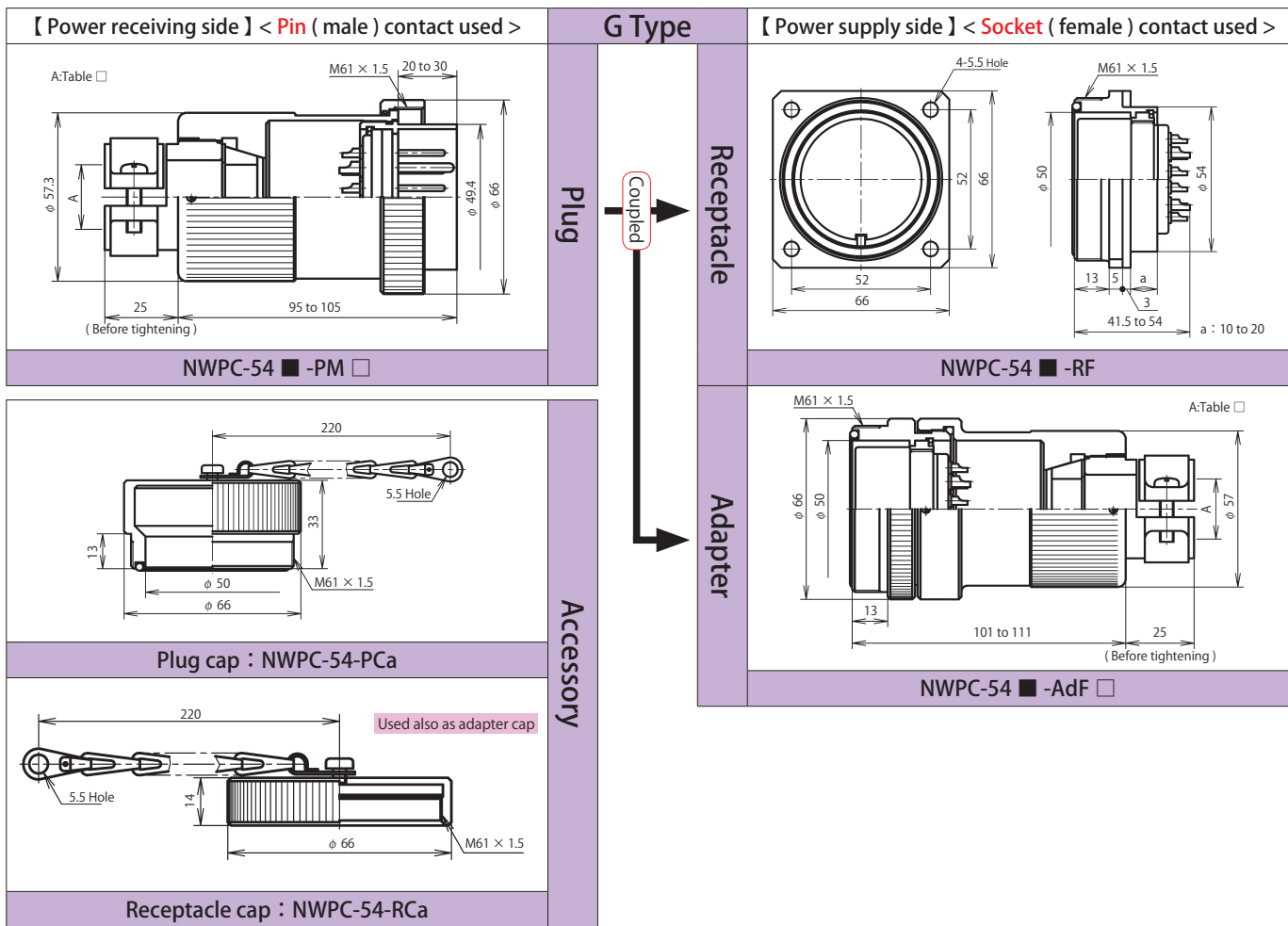
In order to secure the intended waterproof function, a cable to be used for the plug/adapter should have an appropriate specification and structure.

Shell size	Symbol <input type="checkbox"/>	Outer diameter of cable used
40	12	$\phi 11.0$ to $\phi 13.0$
	14	$\phi 13.1$ to $\phi 15.0$
	16	$\phi 15.1$ to $\phi 17.0$
	18	$\phi 17.1$ to $\phi 19.0$
	20	$\phi 19.1$ to $\phi 21.5$
23	$\phi 21.6$ to $\phi 23.0$	

■ indicates the number of contacts. The conductor cross sectional area is less than the following value.

Shell size	Number of Contacts	2	3	4	5	6	8	10	12	16	20
40	Contact arrangement <When viewed from the pin (male) contact coupling side>										
	Rating	250V 30A			250V 20A			250V 3pcs=10A 7pcs= 5A	250V 3pcs=10A 9pcs= 5A	250V 3pcs=10A 13pcs= 5A	250V 5A
	Limit operating voltage (Note-1)	500V			400V			300V			
	Withstand voltage (V r.m.s.)	2,500			2,000			1,800			
	Wire size (mm <sup>2</sup> )	5.5						3pcs=2 7pcs=1.25	3pcs=2 9pcs=1.25	3pcs=2 13pcs=1.25	1.25

Note-1 : For the limit operating voltage, see p.131.



For the plug and adapter, be sure to select  (cable packing symbol).

**Table**

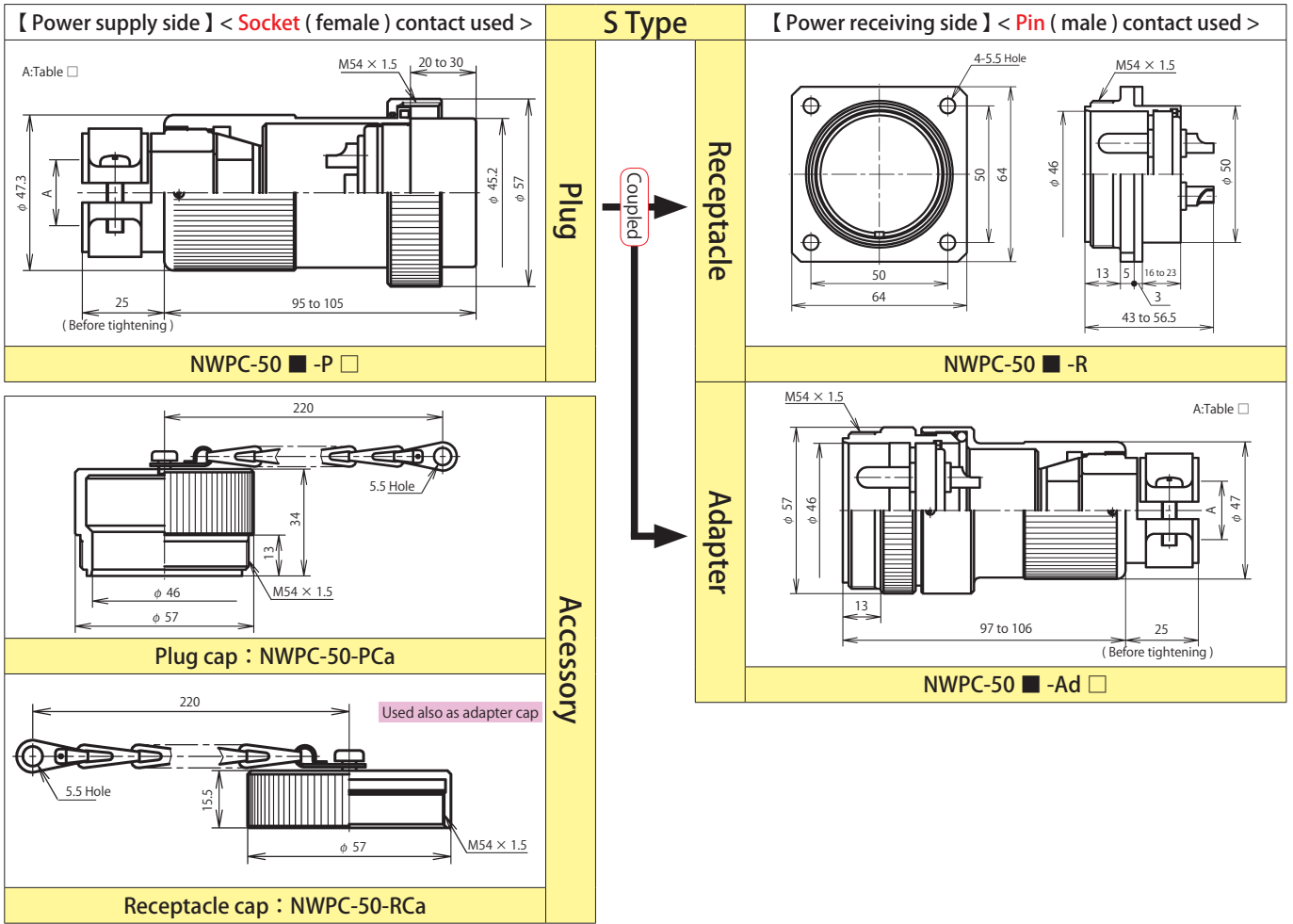
In order to secure the intended waterproof function, a cable to be used for the plug/adapter should have an appropriate specification and structure.

Shell size	Symbol	Outer diameter of cable used
54	<input type="checkbox"/>	$\phi 15.0$ to $\phi 17.0$
	<input type="checkbox"/>	$\phi 17.1$ to $\phi 19.0$
	<input type="checkbox"/>	$\phi 19.1$ to $\phi 21.0$
	<input type="checkbox"/>	$\phi 21.1$ to $\phi 23.0$
	<input type="checkbox"/>	$\phi 23.1$ to $\phi 25.5$
	<input type="checkbox"/>	$\phi 25.6$ to $\phi 28.0$

■ indicates the number of contacts. The conductor cross sectional area is less than the following value.

Shell size	Number of Contacts	2	3	4	8	10	15	25
54	Contact arrangement <When viewed from the pin (male) contact coupling side>							
	Rating	500V 80A	250V 50A	250V 25A	250V 20A	250V 15A	250V	4pcs=15A 21pcs= 5A
	Limit operating voltage (Note-1)	600V	500V	400V	300V			
	Withstand voltage (V r.m.s.)	3,000	2,500	2,000				1,800
	Wire size (mm <sup>2</sup> )	30	14	3.5				4pcs=3.5 21pcs=2

Note-1 : For the limit operating voltage, see p.131.



For the plug and adapter, be sure to select □ (cable packing symbol).

## Table □

In order to secure the intended waterproof function, a cable to be used for the plug/adapter should have an appropriate specification and structure.

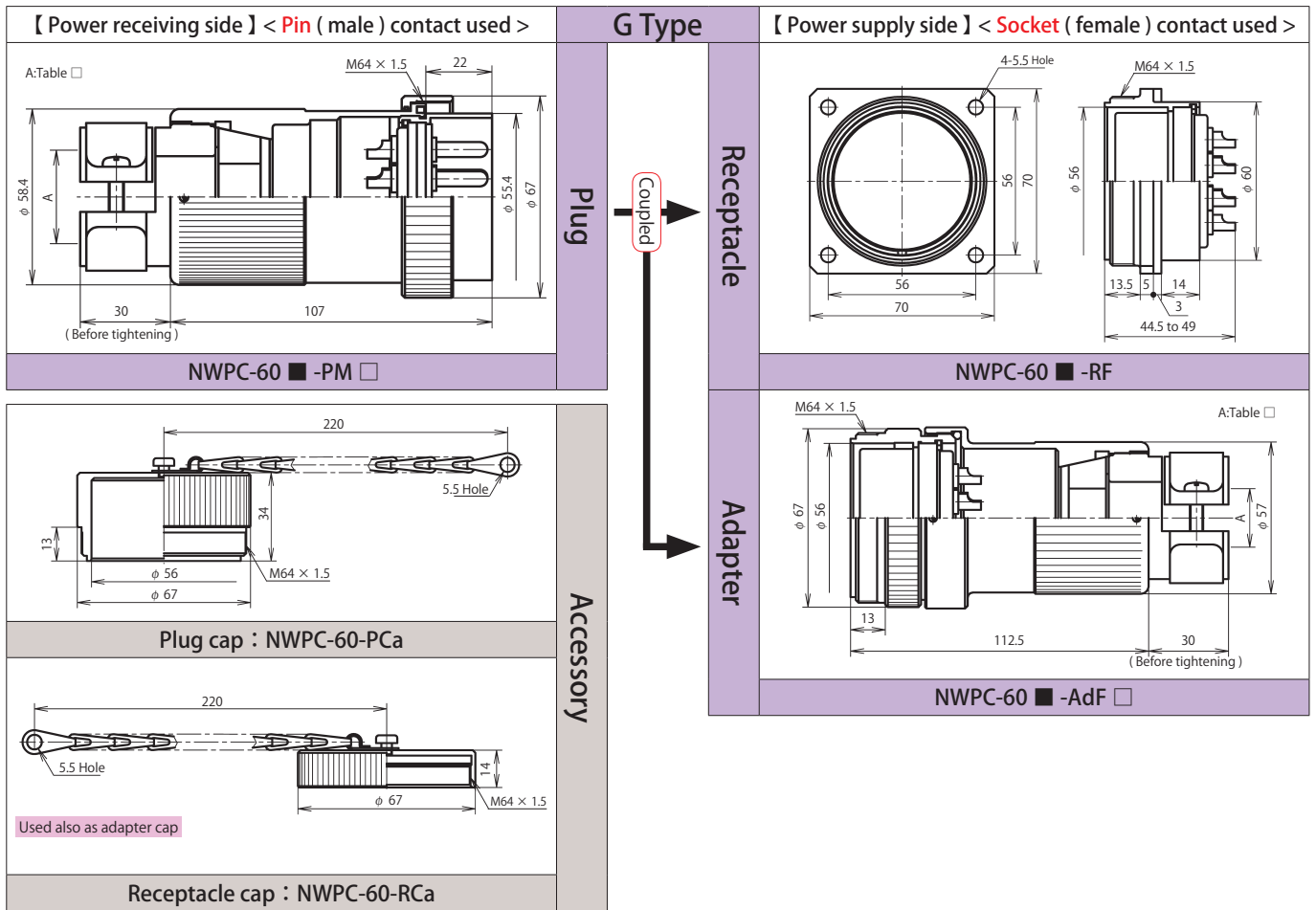
Shell size	Symbol □	Outer diameter of cable used
50	16	$\phi 15.0$ to $\phi 17.0$
	18	$\phi 17.1$ to $\phi 19.0$
	20	$\phi 19.1$ to $\phi 21.0$
	22	$\phi 21.1$ to $\phi 23.0$
	24	$\phi 23.1$ to $\phi 25.5$
	27	$\phi 25.6$ to $\phi 28.0$

■ indicates the number of contacts. The conductor cross sectional area is less than the following value.

Shell size	Number of Contacts	2	3	4	8	10	15	25
50	Contact arrangement <When viewed from the pin (male) contact coupling side>							
	Rating	500V 80A	250V 50A	250V 25A	250V 20A	250V 15A	250V	4pcs=15A 21pcs= 5A
	Limit operating voltage (Note-1)	600V	500V	400V	300V			
	Withstand voltage (V r.m.s.)	3,000	2,500	2,000				1,800
	Wire size (mm <sup>2</sup> )	30	14	3.5				4pcs=3.5 21pcs=2

Note-1 : For the limit operating voltage, see p.131.

# NWPC Series Shell Size 60



For the plug and adapter, be sure to select □ (cable packing symbol).

## Table □

In order to secure the intended waterproof function, a cable to be used for the plug/adapter should have an appropriate specification and structure.

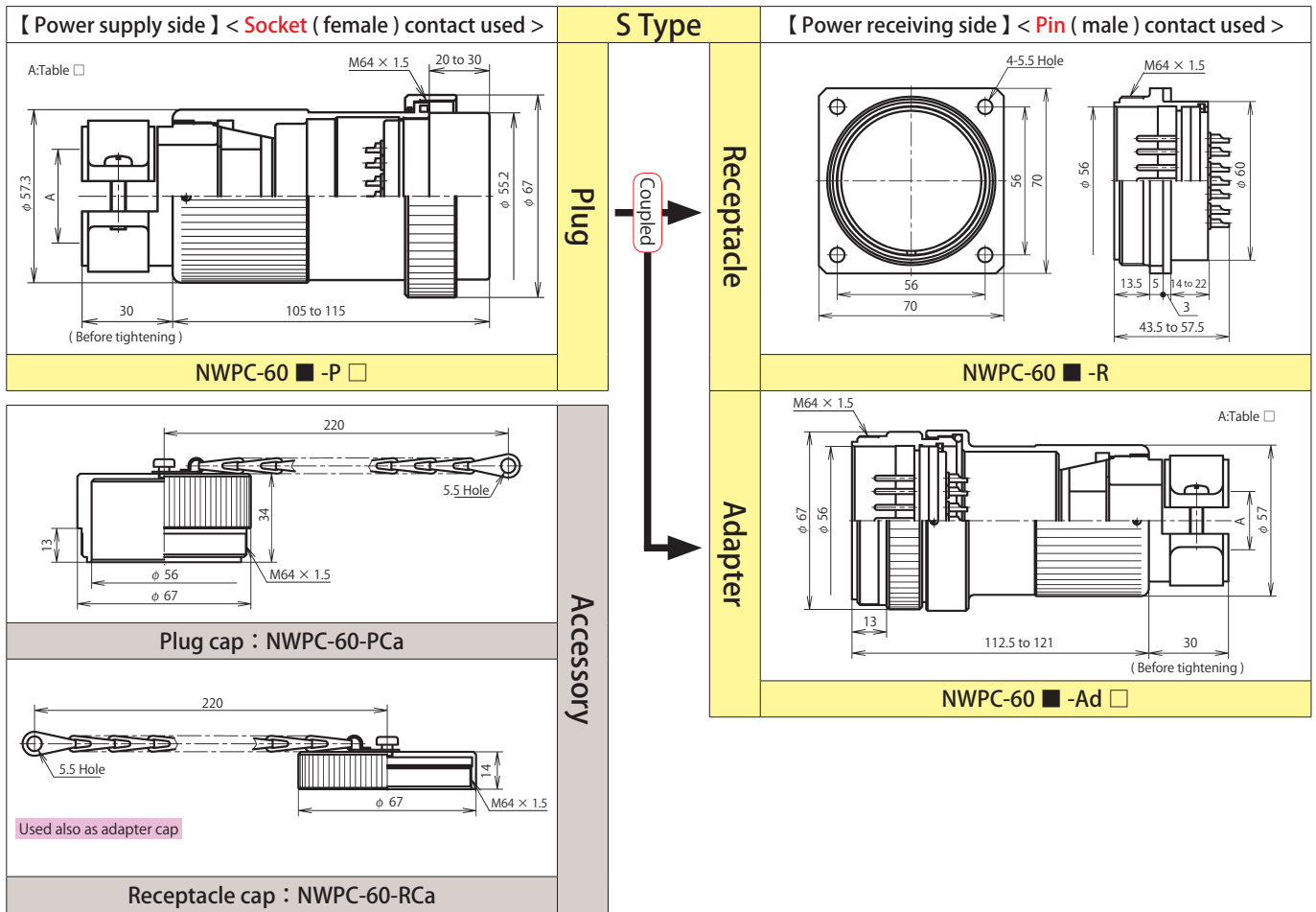
Shell size	Symbol □	Outer diameter of cable used
60	22	φ 21.0 to φ 23.0
	24	φ 23.1 to φ 25.0
	26	φ 25.1 to φ 27.0
	28	φ 27.1 to φ 29.5
	31	φ 29.6 to φ 32.0
	33	φ 32.1 to φ 34.0
	35	φ 34.1 to φ 36.0
	37	φ 36.1 to φ 38.0

2-, 3- and 4-core types are available in Shell size 64.

■ indicates the number of contacts. The conductor cross sectional area is less than the following value.

Shell size	Number of Contacts	10	15	30	32
60	Contact arrangement <When viewed from the pin (male) contact coupling side>				
	Safety standard	—			
	Rating	250V 30A	250V 15A	250V 5A	250V 3pcs=15A 29pcs= 5A
	Limit operating voltage (Note-1)	300V			
	Withstand voltage (V r.m.s.)	2,000		1,500	
	Wire size (mm <sup>2</sup> )	8	3.5	2	3pcs=3.5 29pcs=2

Note-1 : For the limit operating voltage, see p.131.



For the plug and adapter, be sure to select □ (cable packing symbol).

## Table □

In order to secure the intended waterproof function, a cable to be used for the plug/adapter should have an appropriate specification and structure.

Shell size	Symbol □	Outer diameter of cable used
60	22	φ 21.0 to φ 23.0
	24	φ 23.1 to φ 25.0
	26	φ 25.1 to φ 27.0
	28	φ 27.1 to φ 29.5
	31	φ 29.6 to φ 32.0
	33	φ 32.1 to φ 34.0
	35	φ 34.1 to φ 36.0
37	φ 36.1 to φ 38.0	

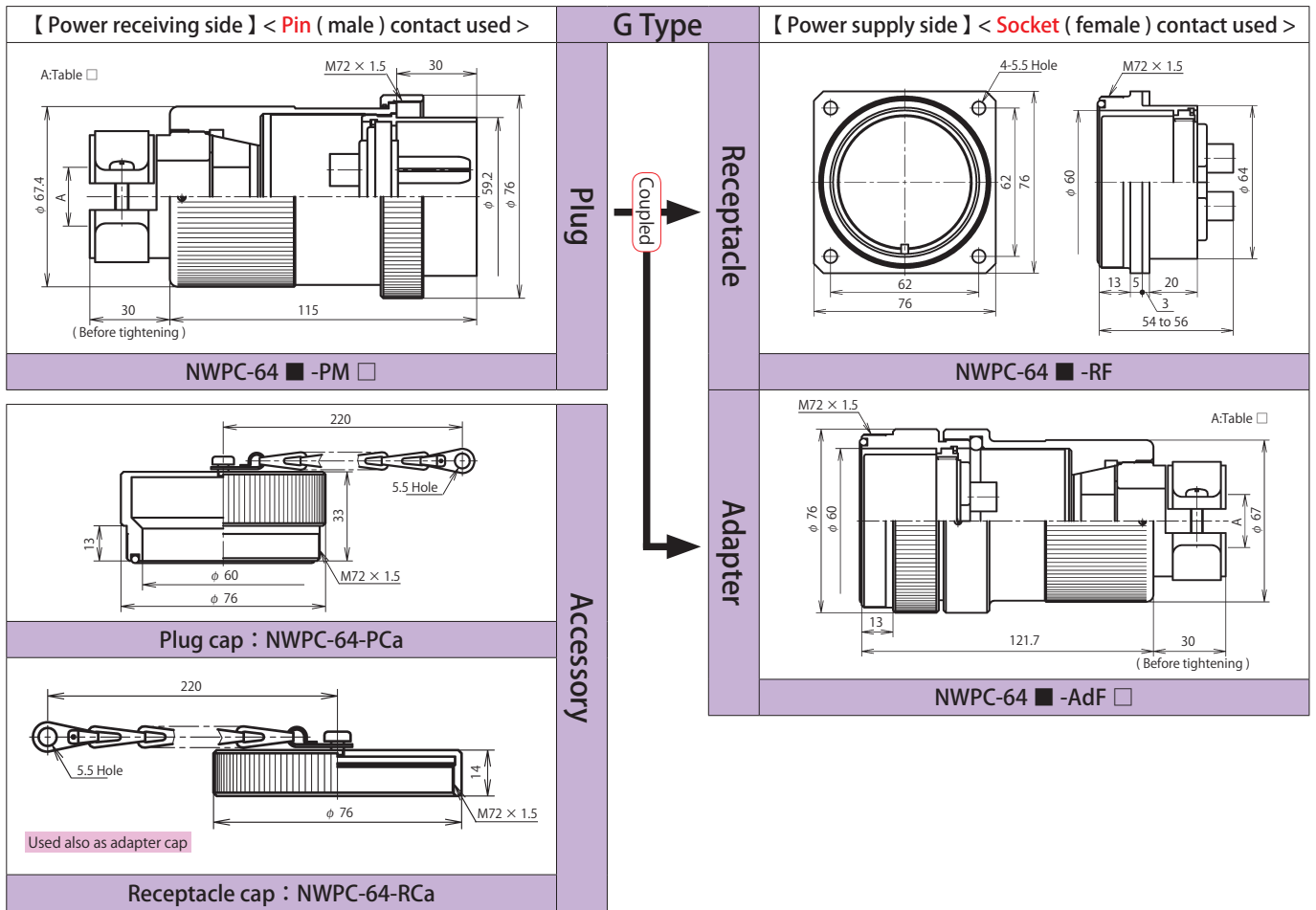
■ indicates the number of contacts.

The conductor cross sectional area is less than the following value. However, for safety standard certified products, use a cable having a value shown on p.129.

Shell size	Number of Contacts	2	3	4	10	15	30	32	40	
60	Contact arrangement <When viewed from the pin (male) contact coupling side>									
	Safety standard (Note-1)	—				CSA NRTL/C		—	CSA NRTL/C	
	Rating	500V 150A		500V 80A	250V 30A	250V 15A	250V 5A	250V 3pcs=15A 29pcs= 5A	250V 5A	
	Limit operating voltage (Note-2)	600V				300V				
	Withstand voltage (V r.m.s.)	3,000				2,500		1,800		
	Wire size (mm <sup>2</sup> )	50		30	8	3.5	2	3pcs=3.5 29pcs=2	2	

Note-1 : Specified separately. For safety standards, see p.129. (The rated voltage of standard certified products is 265 V.) Note-2 : For the limit operating voltage, see p.131.

# NWPC Series Shell Size 64



For the plug and adapter , be sure to select □ ( cable packing symbol ).

## Table □

In order to secure the intended waterproof function, a cable to be used for the plug/adapter should have an appropriate specification and structure.

Shell size	Symbol □	Outer diameter of cable used
64	22	φ 21.0 to φ 23.0
	24	φ 23.1 to φ 25.0
	26	φ 25.1 to φ 27.0
	28	φ 27.1 to φ 29.5
	31	φ 29.6 to φ 32.0
	33	φ 32.1 to φ 34.0
	35	φ 34.1 to φ 36.0
	37	φ 36.1 to φ 38.0

■ indicates the number of contacts. The conductor cross sectional area is less than the following value.

Shell size	Number of Contacts	2	3	4
64	Contact arrangement <When viewed from the pin (male) contact coupling side>			
	Rating	500V 150A		500V 80A
	Limit operating voltage ( Note-1 )	600V		
	Withstand voltage ( V r.m.s. )	3,000		
	Wire size ( mm <sup>2</sup> )	50		30

Note-1 : For the limit operating voltage, see p.131.



# N J W Series

N  
J  
W



Waterproof equivalent to IP-67

Safety standard certified products available

RoHS

## Overview

- Waterproof connectors based on NJC Series.
- As with NJC Series, a wide variety of types available.
- Proven performance in outdoor installations such as surveillance cameras, construction machines and outdoor measuring equipment.

## Feature

RoHS	RoHS Directive compliant
Waterproof	Waterproof connector 【 Waterproof function equivalent to IP-67 when coupled 】
Lock method	Thread lock
Features of mechanism/ material	<ul style="list-style-type: none"> <li>○ Die cast shell with zinc alloy or aluminum alloy.</li> <li>○ Smooth coupling thanks to employment of 5-key system guide.</li> <li>○ Installation in a small space enabled by use of the L za.</li> </ul>
Standards	<ul style="list-style-type: none"> <li>○ UL • CSA standard certified connectors available. ( UL : UL1977 CSA : C22.2 No.182.3 )</li> </ul> <p><small>Note: The specifications of safety standard certified products are slightly different from those of standard products. For the rated voltage, current and cable conductor cross sectional area, refer to A List of Standards Acquired ( p.128 ).</small></p>
Cable termination	Soldering

## Characteristics

Insulation resistance , Withstand voltage , Contact resistance , Waterproof p.92



The pin contact type has an **exposed electrode**. If it is used on the [ power supply ] side, it may cause **electric shock** or **short-circuit accidents**. To prevent such accidents, use the socket contact type on the [ power supply ] side and the pin contact type on the [ equipment ] side.



# N J W Series

## Product No. designation

**NJW - 24 ■ - P M □**                  

①      ②    ③    ④    ⑤    ⑥    ⑦    ⑧    ⑨

- ① Series designation
- ② Shell size
- ③ Number of contacts
- ④ Shell shape
- ⑤ Contact shape < Pin ( male ) contact : M , Socket ( female ) contact : F >
- ⑥ K type symbol ( K ) 《 Required only for products with settings 》
- ⑦ Guide position change symbol ( X , Y , Z ) 《 Required only when changing the guide position 》
- ⑧ Symbol indicating cable packing size. 《 Plug & adapter require symbol to be specified. 》
- ⑨ Safety standard specification ( < UL • CSA > )  
《 Required only when safety standard is to be specified. 》 For applicable products, see p.128.

## 《Option》

• When using a plural number of same products at the same time, the guide position can be changed in order to prevent mis-insertion.

( For applicable products, see below. )

Product name example : NJW-2010-PFX

Guide position change symbol ( X , Y , Z ) in the red character part.

## Cable termination : Soldering

## Material and Finish

	Material	Finish
Shell	Shell size 16, 20, 24 : Zinc alloy ( Partially aluminum alloy ) Shell size 28, 32 : Aluminum alloy	Special treatment
Insulator	Synthetic resin	—
Contact	Copper alloy	Silver plating Gold plating
Packing	Synthetic rubber	—

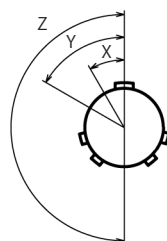
## Operating temperature range

Shell size	Number of Contacts	Operating temperature range
16	3,5	-25°C to +85°C
20	2, 3, 4, 5, 7, 10, 12	
24	2, 3, 4, 5, 10, 14, 16	
28	16, 24	
32	3, 4	-25°C to +60°C
16	8	
20	14	
24	21, 24	
28	31, 37	
32	8, 10, 12	

## To change the guide position ( Following number of contacts only )

Shell size	Number of Contacts	Guide Position Symbol		
		X	Y	Z
16	* 3	30°	60°	180°
	* 5	45°	90°	315°
20	7	30°	—	—
	* 10	45°	90°	315°
	12		95°	190°
24	10	45°	90°	315°
	14			
	16			
28	16	45°	90°	315°
	24			

\* UL • CSA products supported also.



An image of guide position change

< When viewed from the pin ( male ) contact side coupling face >

## Soldering Type Contact arrangement

[ ] : Gold plating contact

Shell size	Number of Contacts	3	5	8						
16	Contact arrangement <When viewed from the pin (male) contact coupling side>									
	Safety standard (Note-1)	UL·CSA			—					
	Rating ( Allowable current for signals )	125V			—					
		10A	5A	[ 3A ]						
	Withstand voltage ( V r.m.s. )	1,500	1,000	500						
	Wire size ( mm <sup>2</sup> )	1.25	0.5	0.3						
Remarks	—			For signals						

Shell size	Number of Contacts	2	3	4	5	7	10	12	14		
20	Contact arrangement <When viewed from the pin (male) contact coupling side>										
	Safety standard (Note-1)	UL·CSA								—	
	Rating ( Allowable current for signals )	250V								—	
		15A		10A			5A			[ 3A ]	
	Withstand voltage ( V r.m.s. )	1,500					1,000			500	
	Wire size ( mm <sup>2</sup> )	2		1.25			0.5			0.3	
Remarks	—								For signals		

Shell size	Number of Contacts	2	3	4	5	10	14	16	21	24		
24	Contact arrangement <When viewed from the pin (male) contact coupling side>											
	Safety standard (Note-1)	UL·CSA								—		
	Rating ( Allowable current for signals )	250V								—		
		20A		15A		10A	5A		3pcs=6A [ 18pcs=3A ]	[ 3A ]		
	Withstand voltage ( V r.m.s. )	1,500					1,000			500		
	Wire size ( mm <sup>2</sup> )	3.5		2		1.25	0.5		3pcs=0.75 18pcs=0.3	0.3		
Remarks	—								For signals			

Note-1 : Specified separately. "Specified as a set of UL and CSA". For safety standards, see p.128.

## Soldering Type Contact arrangement

[ ] : Gold plating contact

Shell size	Number of Contacts	16	24	31	37						
28	Contact arrangement <When viewed from the pin (male) contact coupling side>										
	Safety standard (Note-1)	UL·CSA		—							
	Rating ( Allowable current for signals )	250V		—							
		10A	5A	3pcs=6A [ 28pcs=3A ]	[ 3A ]						
	Withstand voltage ( V r.m.s. )	1,000		500							
	Wire size ( mm <sup>2</sup> )	1.25	0.5	3pcs=0.75 28pcs=0.3	0.3						
Remarks	—		For signals								

Shell size	Number of Contacts	3	4	8	10	12					
32	Contact arrangement <When viewed from the pin (male) contact coupling side>										
	Safety standard (Note-1)	UL·CSA									
	Rating ( Allowable current for signals )	250V									
		30A	10A								
	Withstand voltage ( V r.m.s. )	2,000	1,500								
Wire size ( mm <sup>2</sup> )	5.5 , 6	2									
Remarks	—										

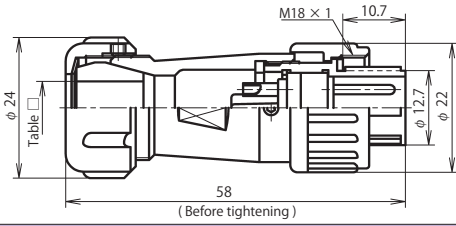
Note-1 : Specified separately. "Specified as a set of UL and CSA". For safety standards, see p.128.

# NJW Series Shell Size 16

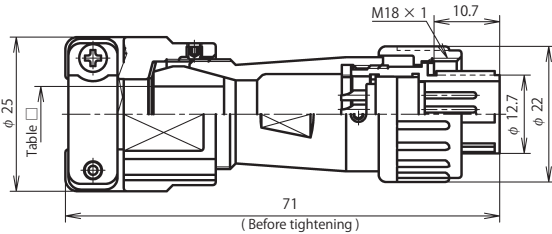
NJW

16

**[ Power receiving side ] < Pin ( male ) contact used >**



NJW-16 ■ -PM □



NJW-16 ■ -PMK □

Cap · L za pp.90-91

For the plug and adapter, be sure to select □ ( cable packing symbol ).

### Table □

In order to secure the intended waterproof function, a cable to be used for the plug/adapter should have an appropriate specification and structure.

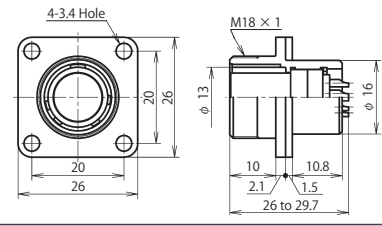
Shell size	Symbol □	Outer diameter of cable used	Normal products		Safety standard	
			Standard	K Type	Standard	K Type
16	5	φ 4.0 to φ 4.8	●	—	—	—
	7	φ 5.7 to φ 6.8	●	●	—	—
	8	φ 6.9 to φ 7.9	●	●	—	—
	9	φ 8.0 to φ 9.4	●	●	●	—
	11	φ 9.5 to φ 11.0	●	●	●	—

**G Type**

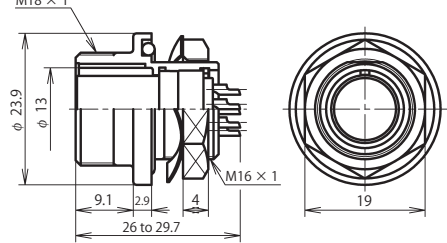
Plug

Coupled

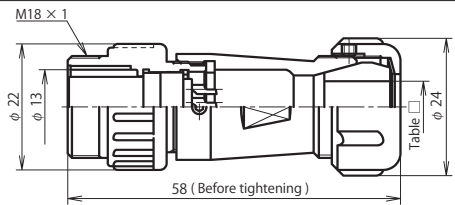
**[ Power supply side ] < Socket ( female ) contact used >**



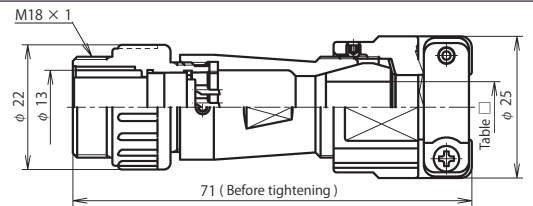
NJW-16 ■ -RF



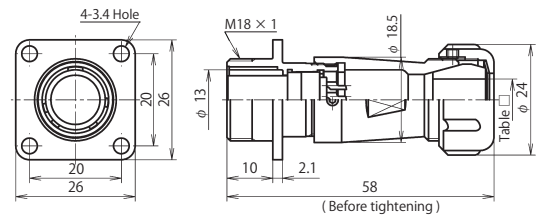
NJW-16 ■ -RBF



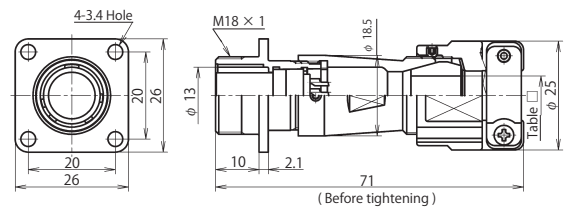
NJW-16 ■ -AdF □



NJW-16 ■ -AdFK □



NJW-16 ■ -Ad(F)F □



NJW-16 ■ -Ad(F)FK □

Adapter

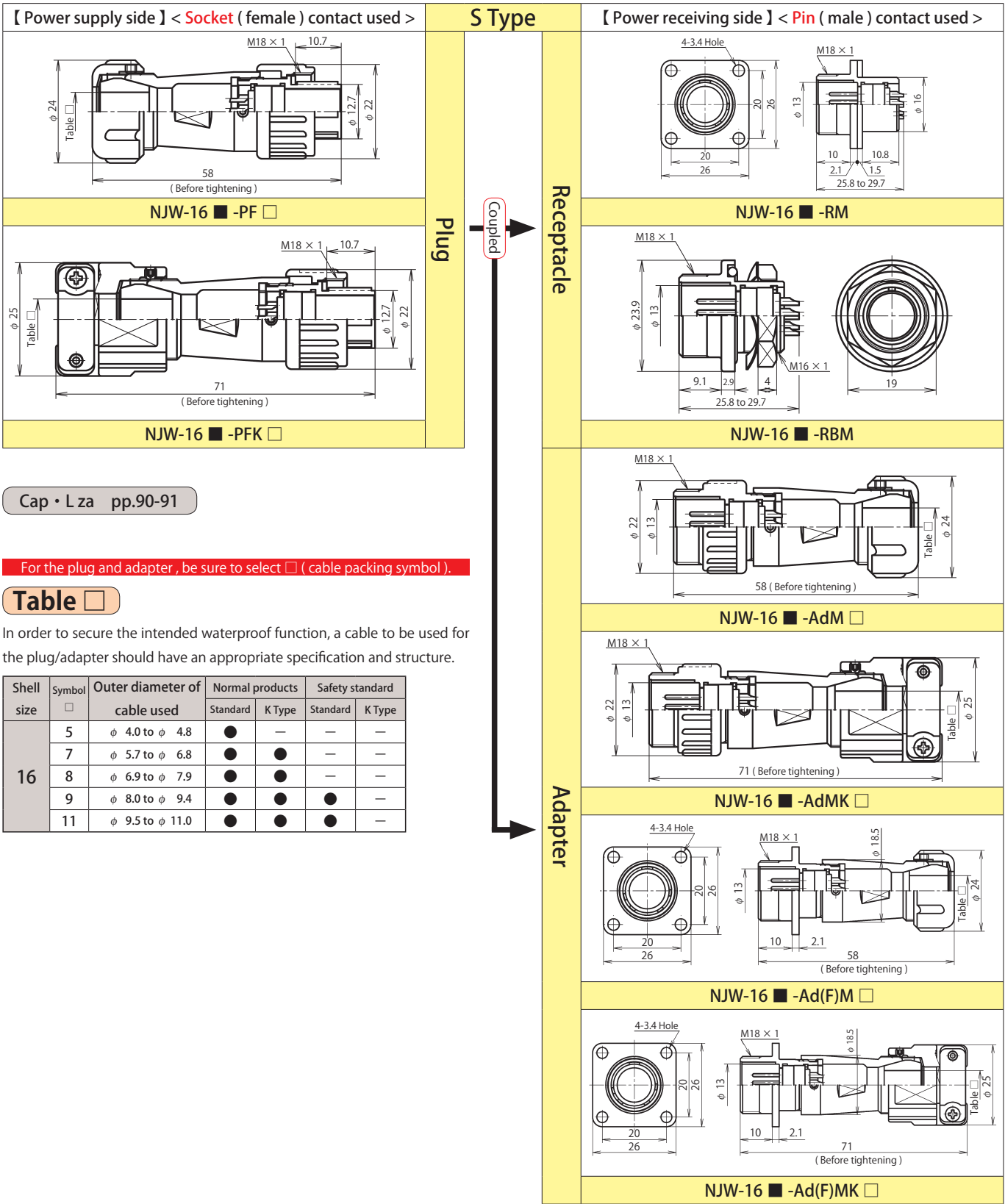
■ indicates the number of contacts. Contact arrangement p.78.

The conductor cross sectional area is less than the following value. However, for safety standard compliant products, use a cable having a value shown on p.128.

Shell size	Number of Contacts	3	5	8
16	Safety standard (Note-1)	UL·CSA		—
	Rating (Allowable current for signals)	125V 10A	125V 5A	[3A]
	Withstand voltage (V r.m.s.)	1,500	1,000	500
	Wire size (mm <sup>2</sup> )	1.25	0.5	0.3
	Remarks	—		For signals

[ ] : Gold plating contact

Note-1 : Specified separately. \*Specified as a set of UL and CSA\*. For safety standards, see p.128.



Cap · Lza pp.90-91

For the plug and adapter, be sure to select  (cable packing symbol).

**Table**

In order to secure the intended waterproof function, a cable to be used for the plug/adapter should have an appropriate specification and structure.

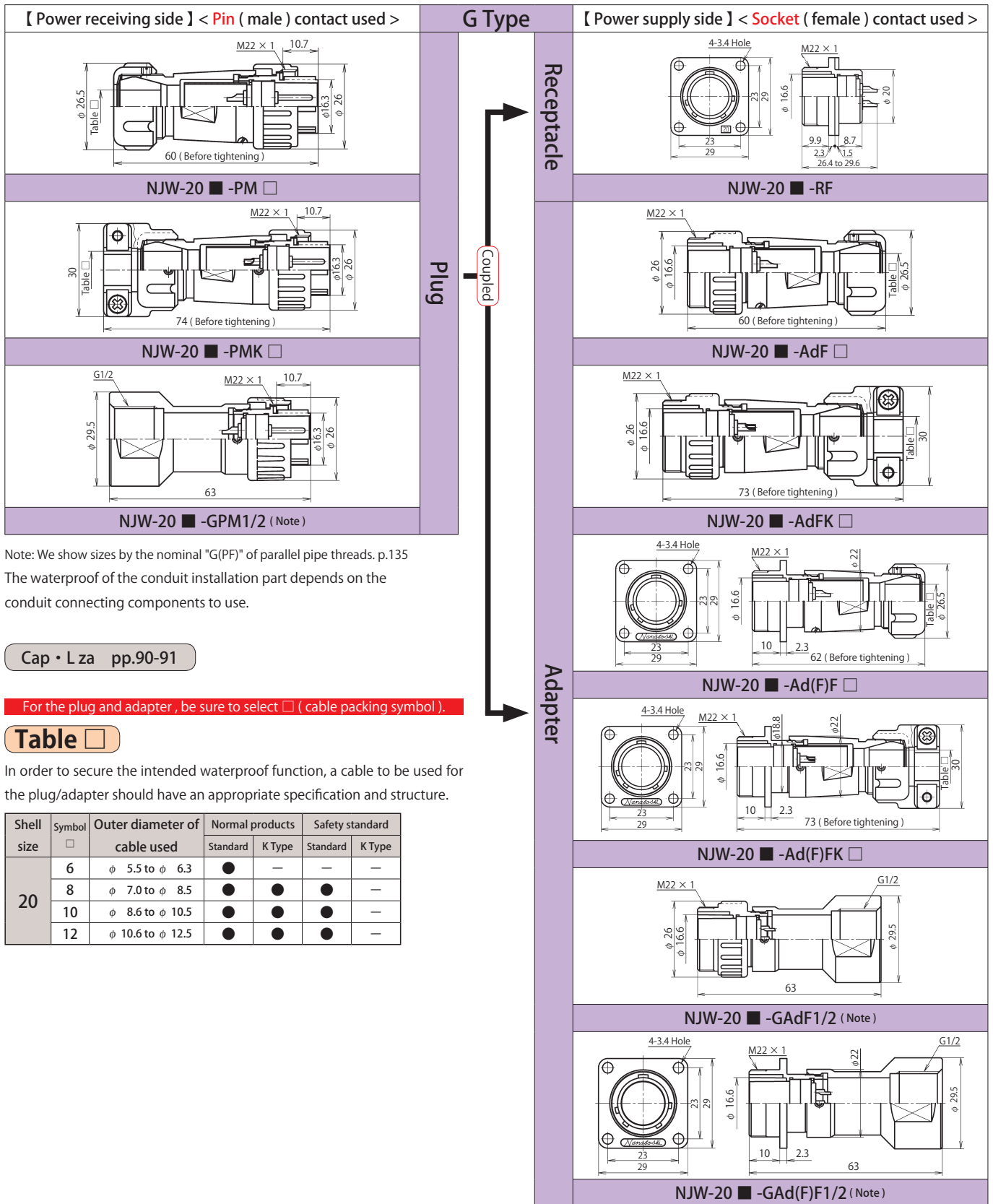
Shell size	Symbol <input type="checkbox"/>	Outer diameter of cable used	Normal products		Safety standard	
			Standard	K Type	Standard	K Type
16	5	φ 4.0 to φ 4.8	●	—	—	—
	7	φ 5.7 to φ 6.8	●	●	—	—
	8	φ 6.9 to φ 7.9	●	●	—	—
	9	φ 8.0 to φ 9.4	●	●	●	—
	11	φ 9.5 to φ 11.0	●	●	●	—

■ indicates the number of contacts. Contact arrangement p.78.  
The conductor cross sectional area is less than the following value. However, for safety standard certified products, use a cable having a value shown on p.128.

Shell size	Number of Contacts	3	5	8
16	Safety standard (Note-1)	UL·CSA		—
	Rating (Allowable current for signals)	125V 10A	125V 5A	[3A]
	Withstand voltage (V r.m.s.)	1,500	1,000	500
	Wire size (mm <sup>2</sup> )	1.25	0.5	0.3
	Remarks	—		For signals

[ ] : Gold plating contact

Note-1 : Specified separately. \*Specified as a set of UL and CSA\*. For safety standards, see p.128.



Note: We show sizes by the nominal "G(PF)" of parallel pipe threads. p.135  
 The waterproof of the conduit installation part depends on the conduit connecting components to use.

Cap · L za pp.90-91

For the plug and adapter, be sure to select  (cable packing symbol).

Table

In order to secure the intended waterproof function, a cable to be used for the plug/adapter should have an appropriate specification and structure.

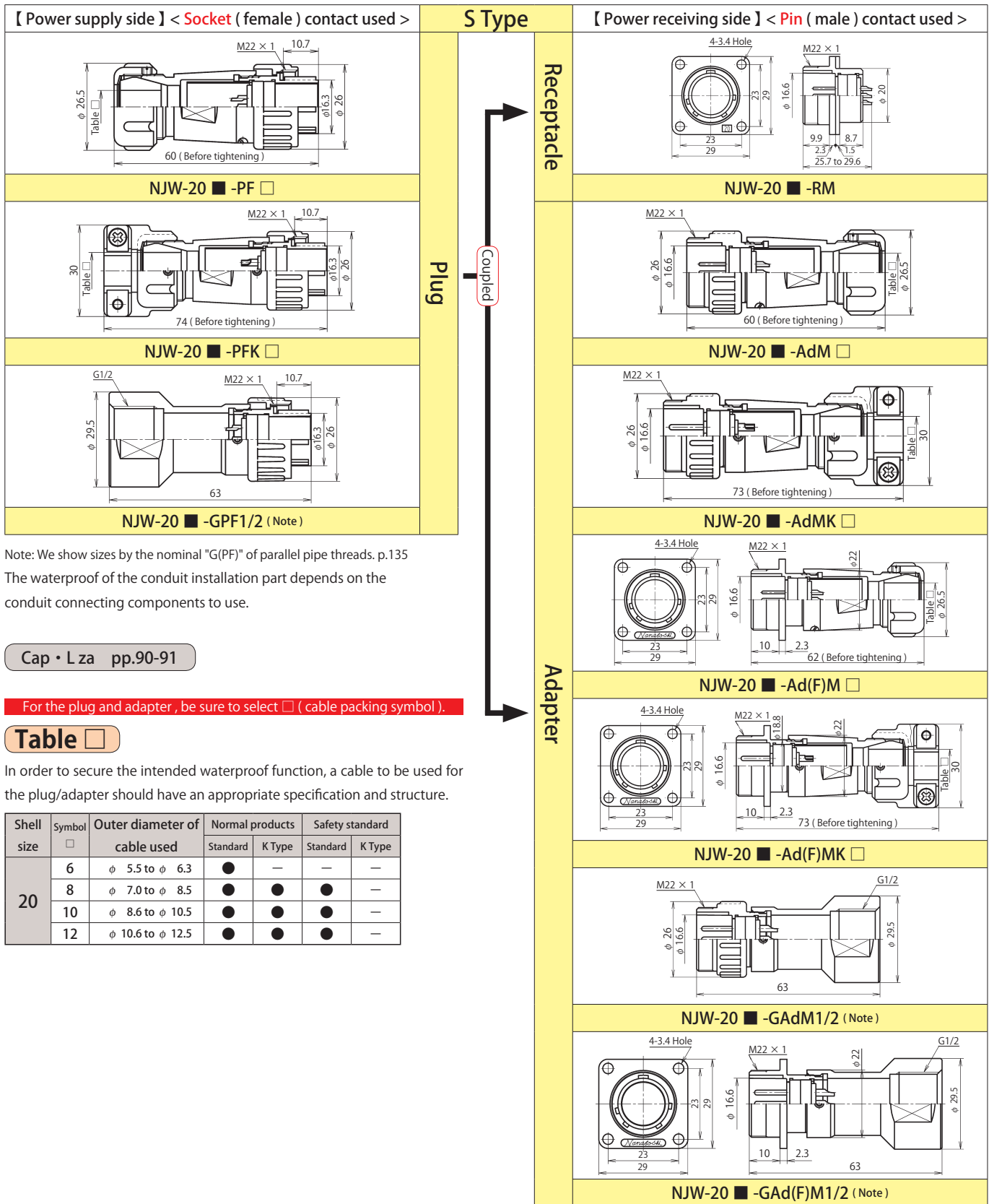
Shell size	Symbol	Outer diameter of cable used	Normal products		Safety standard	
			Standard	K Type	Standard	K Type
20	6	φ 5.5 to φ 6.3	●	—	—	—
	8	φ 7.0 to φ 8.5	●	●	—	—
	10	φ 8.6 to φ 10.5	●	●	●	—
	12	φ 10.6 to φ 12.5	●	●	●	—

■ indicates the number of contacts. Contact arrangement p.78.  
 The conductor cross sectional area is less than the following value. However, for safety standard compliant products, use a cable having a value shown on p.128.

Shell size	Number of Contacts	2	3	4	5	7	10	12	14
20	Safety standard (Note-1)	UL·CSA							
	Rating (Allowable current for signals)	250V 15A		250V 10A			250V 5A		[ 3A ]
	Withstand voltage (V r.m.s.)	1,500			1,000			500	
	Wire size (mm <sup>2</sup> )	2		1.25			0.5		0.3
	Remarks	—							

[ ] : Gold plating contact

Note-1 : Specified separately. "Specified as a set of UL and CSA". For safety standards, see p.128.



Note: We show sizes by the nominal "G(PF)" of parallel pipe threads. p.135  
The waterproof of the conduit installation part depends on the conduit connecting components to use.

Cap · L za pp.90-91

For the plug and adapter, be sure to select  (cable packing symbol).

### Table

In order to secure the intended waterproof function, a cable to be used for the plug/adapter should have an appropriate specification and structure.

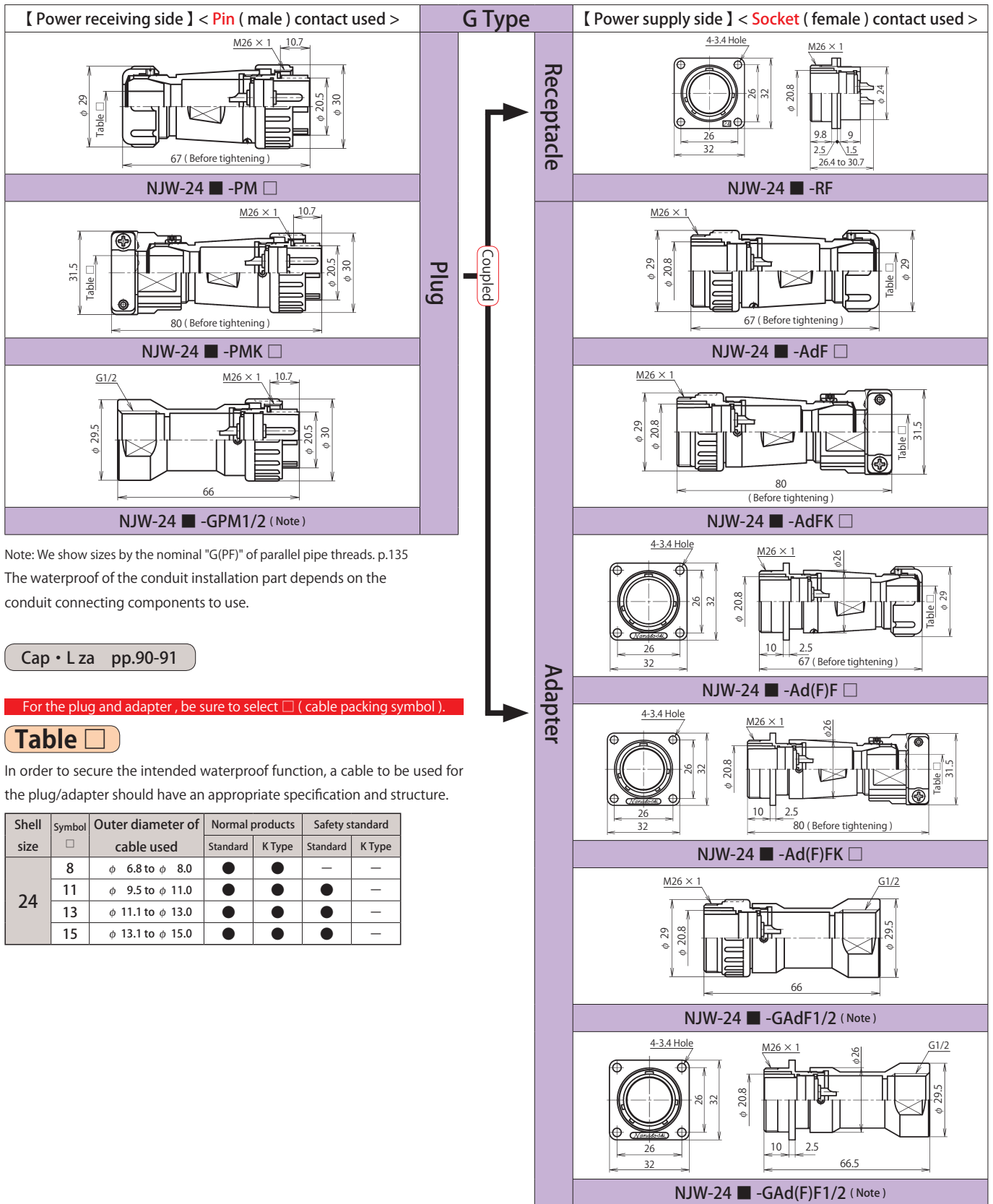
Shell size	Symbol <input type="checkbox"/>	Outer diameter of cable used	Normal products		Safety standard	
			Standard	K Type	Standard	K Type
20	6	φ 5.5 to φ 6.3	●	—	—	—
	8	φ 7.0 to φ 8.5	●	●	—	—
	10	φ 8.6 to φ 10.5	●	●	●	—
	12	φ 10.6 to φ 12.5	●	●	●	—

■ indicates the number of contacts. Contact arrangement p.78.  
The conductor cross sectional area is less than the following value. However, for safety standard certified products, use a cable having a value shown on p.128.

Shell size	Number of Contacts	2	3	4	5	7	10	12	14
20	Safety standard (Note-1)	UL·CSA							
	Rating (Allowable current for signals)	250V 15A		250V 10A			250V 5A		[ 3A ]
	Withstand voltage (V.r.m.s.)	1,500				1,000			500
	Wire size (mm <sup>2</sup> )	2		1.25			0.5		0.3
	Remarks	—							

[ ] : Gold plating contact

Note-1 : Specified separately. "Specified as a set of UL and CSA". For safety standards, see p.128.



Note: We show sizes by the nominal "G(PF)" of parallel pipe threads. p.135  
 The waterproof of the conduit installation part depends on the conduit connecting components to use.

Cap · L za pp.90-91

For the plug and adapter, be sure to select □ ( cable packing symbol ).

**Table** □

In order to secure the intended waterproof function, a cable to be used for the plug/adapter should have an appropriate specification and structure.

Shell size	Symbol □	Outer diameter of cable used	Normal products		Safety standard	
			Standard	K Type	Standard	K Type
24	8	φ 6.8 to φ 8.0	●	●	—	—
	11	φ 9.5 to φ 11.0	●	●	●	—
	13	φ 11.1 to φ 13.0	●	●	●	—
	15	φ 13.1 to φ 15.0	●	●	●	—

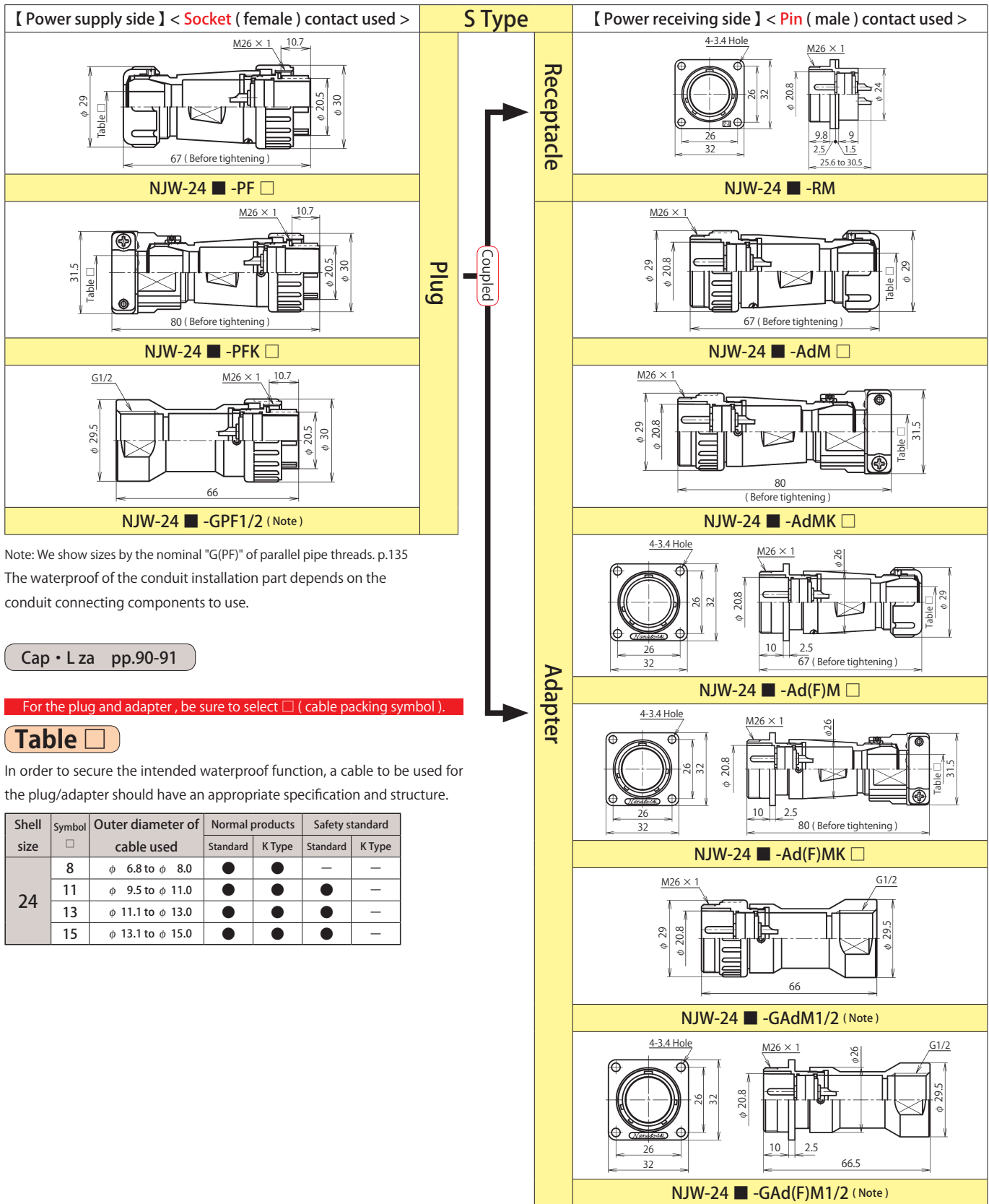
■ indicates the number of contacts. Contact arrangement p.78.  
 The conductor cross sectional area is less than the following value. However, for safety standard certified products, use a cable having a value shown on p.128.

Shell size	Number of Contacts	2	3	4	5	10	14	16	21	24
24	Safety standard ( Note-1 )	UL · CSA								
	Rating ( Allowable current for signals )	250V 20A		250V 15A		250V 10A	250V 5A		3pcs=6A [ 18pcs=3A ]	[ 3A ]
	Withstand voltage ( V.r.m.s. )	1,500				1,000			500	
	Wire size ( mm <sup>2</sup> )	3.5		2		1.25	0.5		3pcs=0.75 18pcs=0.3	0.3
	Remarks	— For signals								

[ ] : Gold plating contact

Note-1 : Specified separately. "Specified as a set of UL and CSA". For safety standards, see p.128.





Note: We show sizes by the nominal "G(PF)" of parallel pipe threads. p.135  
The waterproof of the conduit installation part depends on the conduit connecting components to use.

Cap · L za pp.90-91

For the plug and adapter, be sure to select  (cable packing symbol).

Table

In order to secure the intended waterproof function, a cable to be used for the plug/adapter should have an appropriate specification and structure.

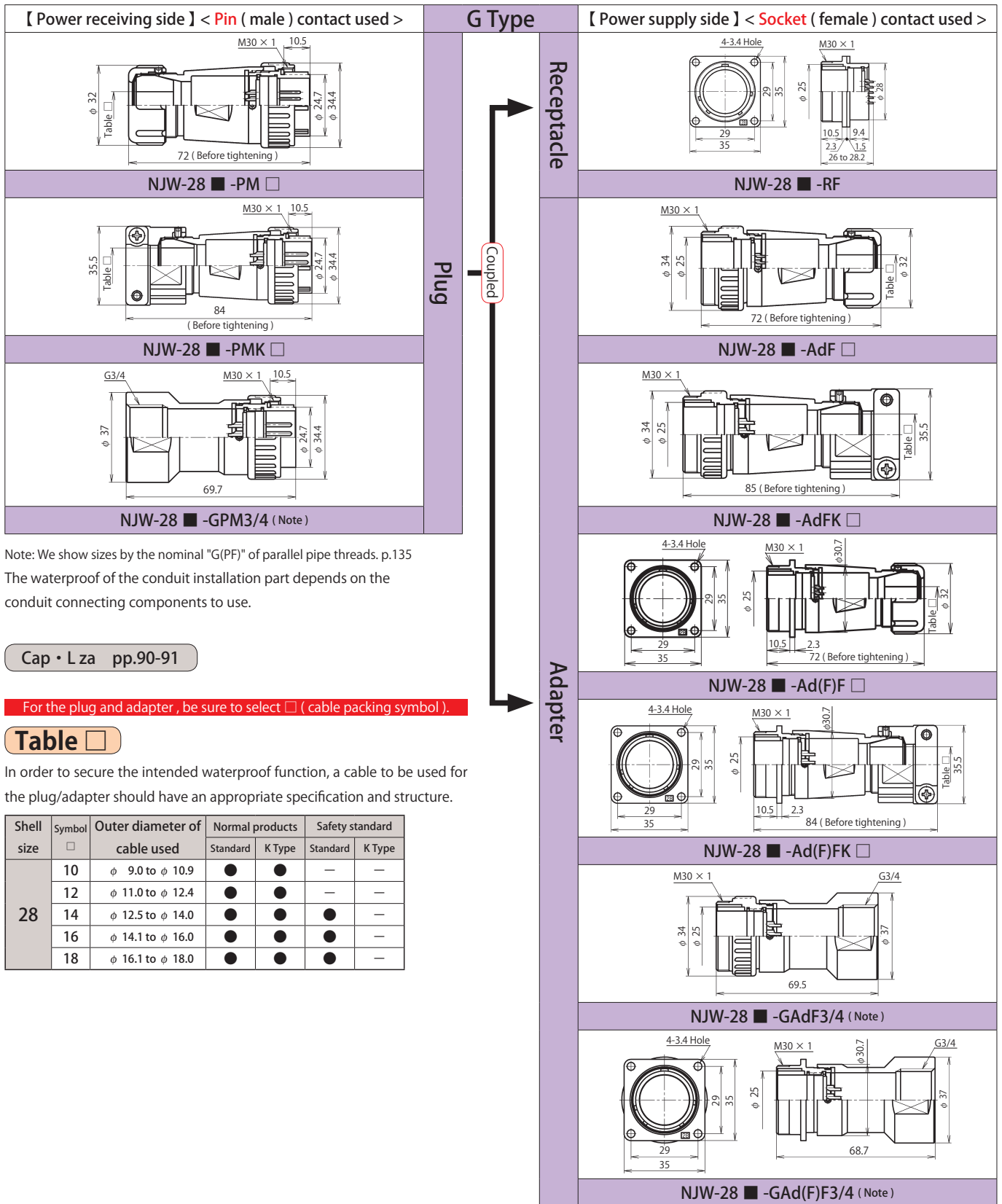
Shell size	Symbol <input type="checkbox"/>	Outer diameter of cable used	Normal products		Safety standard	
			Standard	K Type	Standard	K Type
24	8	φ 6.8 to φ 8.0	●	●	—	—
	11	φ 9.5 to φ 11.0	●	●	●	—
	13	φ 11.1 to φ 13.0	●	●	●	—
	15	φ 13.1 to φ 15.0	●	●	●	—

■ indicates the number of contacts. Contact arrangement p.78.  
The conductor cross sectional area is less than the following value. However, for safety standard certified products, use a cable having a value shown on p.128.

Shell size	Number of Contacts	2	3	4	5	10	14	16	21	24
24	Safety standard (Note-1)	UL·CSA								
	Rating (Allowable current for signals)	250V 20A		250V 15A		250V 10A	250V 5A		3pcs=6A [18pcs=3A]	[3A]
	Withstand voltage (V r.m.s.)	1,500			1,000			500		
	Wire size (mm <sup>2</sup> )	3.5		2		1.25	0.5		3pcs=0.75 18pcs=0.3	0.3
	Remarks	—								

[ ] : Gold plating contact

Note-1 : Specified separately. "Specified as a set of UL and CSA". For safety standards, see p.128.



Note: We show sizes by the nominal "G(PF)" of parallel pipe threads, p.135  
 The waterproof of the conduit installation part depends on the conduit connecting components to use.

Cap • L za pp.90-91

For the plug and adapter, be sure to select  (cable packing symbol).

### Table

In order to secure the intended waterproof function, a cable to be used for the plug/adapter should have an appropriate specification and structure.

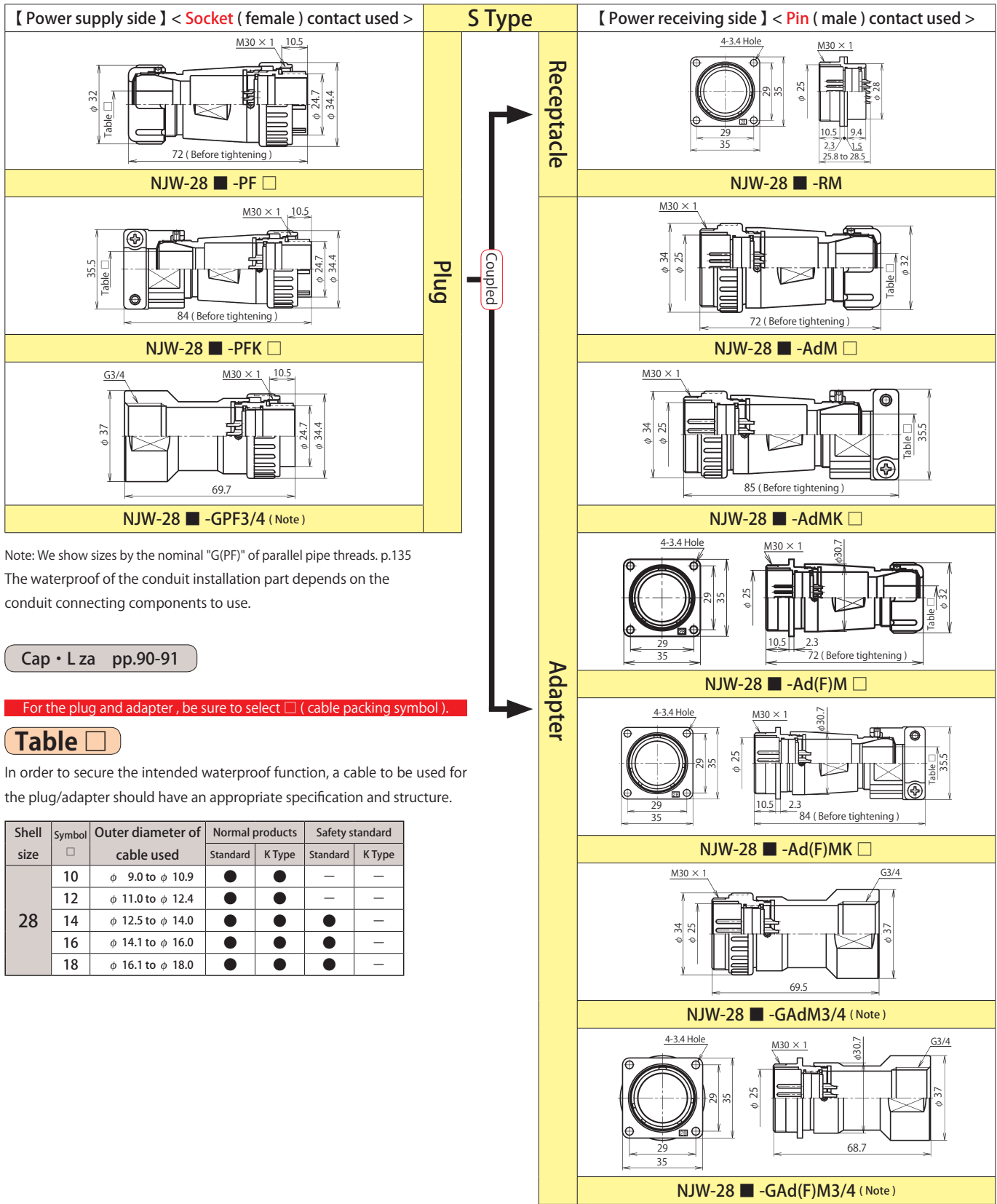
Shell size	Symbol <input type="checkbox"/>	Outer diameter of cable used	Normal products		Safety standard	
			Standard	K Type	Standard	K Type
28	10	φ 9.0 to φ 10.9	●	●	—	—
	12	φ 11.0 to φ 12.4	●	●	—	—
	14	φ 12.5 to φ 14.0	●	●	●	—
	16	φ 14.1 to φ 16.0	●	●	●	—
	18	φ 16.1 to φ 18.0	●	●	●	—

■ indicates the number of contacts. Contact arrangement p.79.  
 The conductor cross sectional area is less than the following value. However, for safety standard certified products, use a cable having a value shown on p.128.

Shell size	Number of Contacts	16	24	31	37
28	Safety standard (Note-1)	UL-CSA			—
	Rating (Allowable current for signals)	250V 10A	250V 5A	3pcs=6A [28pcs=3A]	[3A]
	Withstand voltage (V r.m.s.)	1,000		500	
	Wire size (mm <sup>2</sup> )	1.25	0.5	3pcs=0.75 28pcs=0.3	0.3
	Remarks	—			For signals

: Gold plating contact

Note-1 : Specified separately. \*Specified as a set of UL and CSA\*. For safety standards, see p.128.



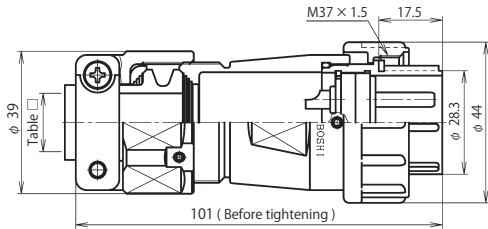
■ indicates the number of contacts. Contact arrangement p.79.  
The conductor cross sectional area is less than the following value. However, for safety standard certified products, use a cable having a value shown on p.128.

Shell size	Number of Contacts	16	24	31	37
28	Safety standard (Note-1)	UL·CSA			—
	Rating ( Allowable current for signals )	250V 10A	250V 5A	3pcs=6A [28pcs=3A]	[ 3A ]
	Withstand voltage ( V r.m.s. )	1,000		500	
	Wire size ( mm <sup>2</sup> )	1.25	0.5	3pcs=0.75 28pcs=0.3	0.3
	Remarks	—			For signals

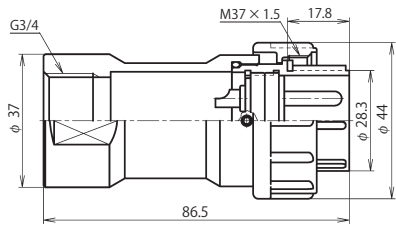
[ ] : Gold plating contact

Note-1 : Specified separately. "Specified as a set of UL and CSA". For safety standards, see p.128.

【 Power receiving side 】 < Pin ( male ) contact used >



NJW-32 ■ -PM □



NJW-32 ■ -GPM3/4 ( Note )

Note: We show sizes by the nominal "G(PF)" of parallel pipe threads. p.135  
The waterproof of the conduit installation part depends on the conduit connecting components to use.

Cap • L za pp.90-91

For the plug and adapter, be sure to select □ ( cable packing symbol ).

### Table □

In order to secure the intended waterproof function, a cable to be used for the plug/adapter should have an appropriate specification and structure.

Shell size	Symbol □	Outer diameter of cable used	Normal products	Safety standard
32	16	$\phi 11.5$ to $\phi 16.0$	●	●
	20	$\phi 15.5$ to $\phi 20.0$	●	●

※ Size 32 is provided with cable clamp as a standard feature.

G Type

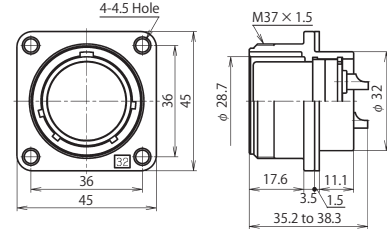
Plug

Coupled

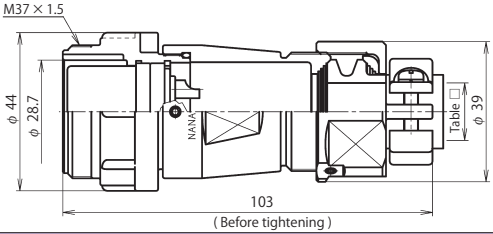
Receptacle

Adapter

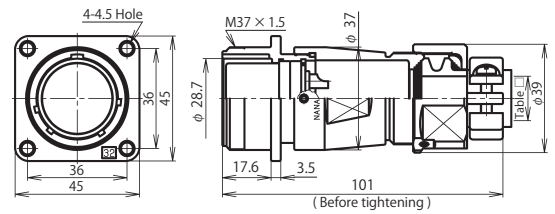
【 Power supply side 】 < Socket ( female ) contact used >



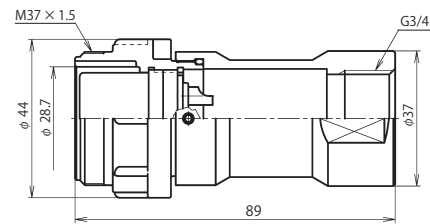
NJW-32 ■ -RF



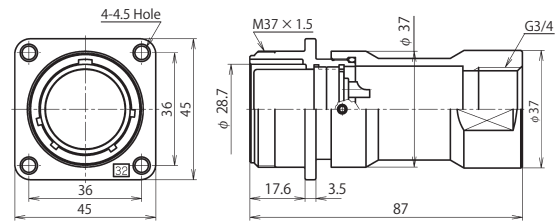
NJW-32 ■ -AdF □



NJW-32 ■ -Ad(F)F □



NJW-32 ■ -GAdF3/4 ( Note )

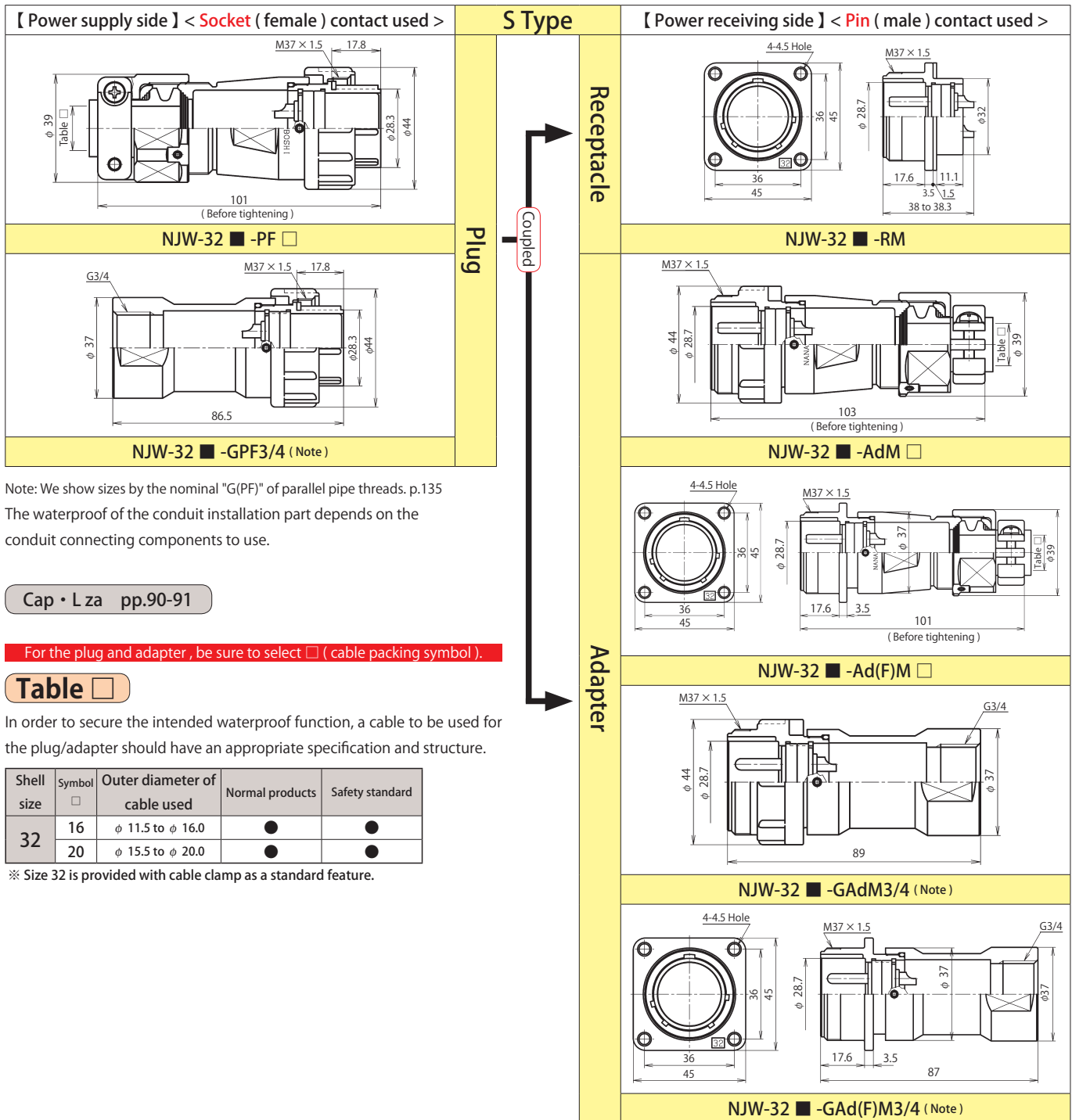


NJW-32 ■ -GAd(F)F3/4 ( Note )

■ indicates the number of contacts. Contact arrangement p.79.  
The conductor cross sectional area is less than the following value. However, for safety standard certified products, use a cable having a value shown on p.128.

Shell size	Number of Contacts	3	4	8	10	12
32	Safety standard ( Note-1 )	UL • CSA				
	Rating ( Allowable current for signals )	250V 30A		250V 10A		
	Withstand voltage ( V r.m.s. )	2,000			1,500	
	Wire size ( mm <sup>2</sup> )	5.5, 6			2	
	Remarks	—				

Note-1 : Specified separately. "Specified as a set of UL and CSA". For safety standards, see p.128.



Note: We show sizes by the nominal "G(PF)" of parallel pipe threads. p.135  
The waterproof of the conduit installation part depends on the conduit connecting components to use.

Cap · L za pp.90-91

For the plug and adapter, be sure to select  (cable packing symbol).

Table

In order to secure the intended waterproof function, a cable to be used for the plug/adapter should have an appropriate specification and structure.

Shell size	Symbol	Outer diameter of cable used	Normal products	Safety standard
32	16	φ 11.5 to φ 16.0	●	●
	20	φ 15.5 to φ 20.0	●	●

※ Size 32 is provided with cable clamp as a standard feature.

■ indicates the number of contacts. Contact arrangement p.79.  
The conductor cross sectional area is less than the following value. However, for safety standard certified products, use a cable having a value shown on p.128.

Shell size	Number of Contacts	3	4	8	10	12
32	Safety standard (Note-1)	UL·CSA				
	Rating ( Allowable current for signals )	250V 30A		250V 10A		
	Withstand voltage ( V r.m.s. )	2,000			1,500	
	Wire size ( mm <sup>2</sup> )	5.5, 6			2	
	Remarks	-				

Note-1 : Specified separately. "Specified as a set of UL and CSA". For safety standards, see p.128.

# NJW Series

NJW

## ◆ [PCa] Plug cap

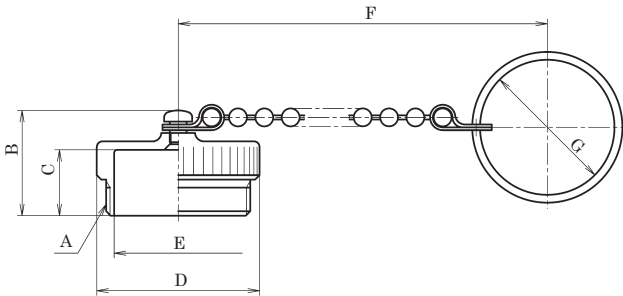
Caps used for plugs. Used to protect the contact part when they are not coupled with a receptacle/adaptor.



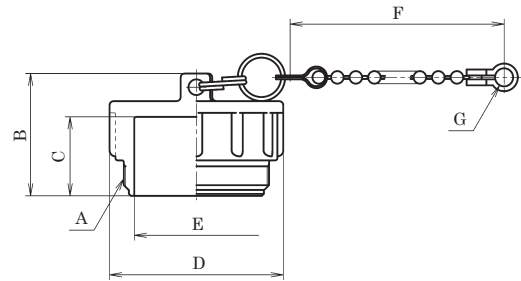
Photo shows Shell size 24

Shell size	Designation	Standard dimensions						
		A	B	C	D	E	F	G
16	NJW-16-PCa	M18 × 1	19	12	φ 22	φ 14	160	φ 21
20	NJW-20-PCa	M22 × 1			φ 25	φ 18.6		
24	NJW-24-PCa	M26 × 1	18.7	11.7	φ 29	φ 22.8	165	φ 24
28	NJW-28-PCa	M30 × 1	19	12	φ 33	φ 27		φ 28
32	NJW-32-PCa	M37 × 1.5	31	20	φ 44	φ 31.5	180	4.5 Hole

NJW-16 to 28



NJW-32



## ◆ [RCa] Receptacle cap

Caps used for receptacles and adapters. Used to protect the contact part when they are not coupled with a plug.

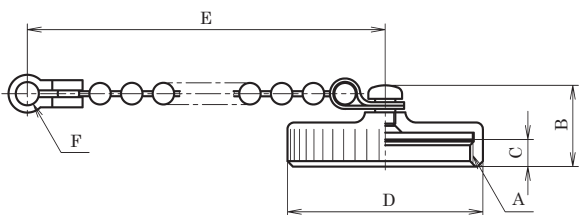


Photo shows Shell size 24

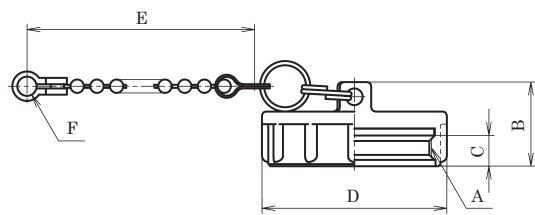
Shell size	Designation	Standard dimensions					
		A	B	C	D	E	F
16	NJW-16-RCa	M18 × 1	11.5	3.5	φ 22	150 (※ 1)	3.45 Hole
20	NJW-20-RCa	M22 × 1			φ 25		
24	NJW-24-RCa	M26 × 1	12	4	φ 29	80	4.5 Hole
28	NJW-28-RCa	M30 × 1	12.5	4.5	φ 33		
32	NJW-32-RCa	M37 × 1.5	20	7.3	φ 44		

(※ 1) Length 70 mm also available. (Example : NJW-16-RCa L70)

NJW-16 to 28



NJW-32





# NJW Series

## ◆ [AdCa] Adapter cap

Caps used for adapters. Used to protect the contact part when they are not coupled with a plug.  
For adapters with flange, RCa may also be used.

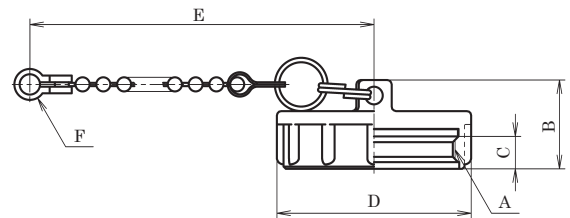
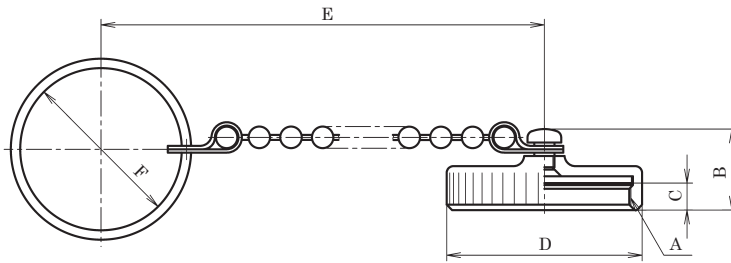


Photo shows Shell size 24

Shell size	Designation	Standard dimensions					
		A	B	C	D	E	F
16	NJW-16-AdCa	M18 × 1	11.5	3.5	φ 22	160	φ 21
20	NJW-20-AdCa	M22 × 1			φ 25		
24	NJW-24-AdCa	M26 × 1	12	4	φ 29	165	φ 24
28	NJW-28-AdCa	M30 × 1	12.5	4.5	φ 33		φ 28
32	NJW-32-AdCa	M37 × 1.5	20	7.3	φ 44	180	4.5 Hole

NJW-16 to 28

NJW-32



## ◆ [L za]

An angle part used in the receptacle mounting place to change the direction of a receptacle.  
The plug and cable can be installed parallel with the panel.

Used commonly for NJW, NAW, NRW and NEW.

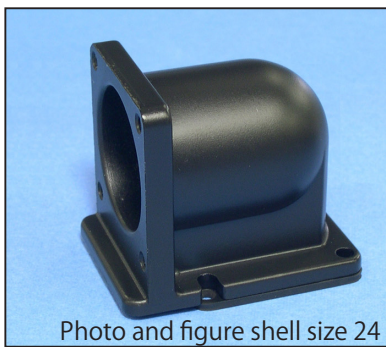
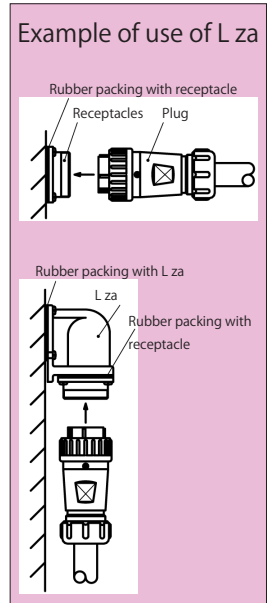
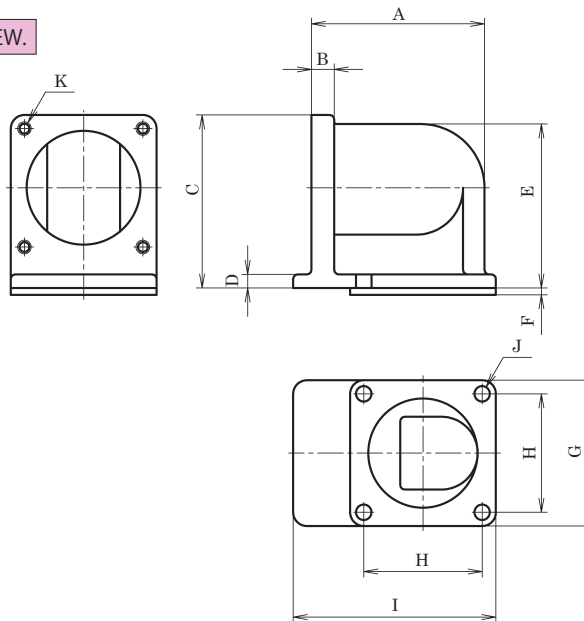


Photo and figure shell size 24



Shell size	Designation	Standard dimensions										
		A	B	C	D	E	F	G	H	I	J	K
16	NJW-16-L za	29.5	5	30.5	3	27.5	1.5	26	20	36.9	4-3.4 Hole	4-M3 tap
20	NJW-20-L za	32		35.3	5.3	32.8		29	23	38.4		
24	NJW-24-L za	38		38	3	36		32	26	44.5		
28	NJW-28-L za	41		41.5	40	40		35	29	46.8		

# NJW Series Characteristics

Number of contacts

Shell size	Contact	Insulation resistance ( M Ω )		Contact resistance ( m Ω )		Withstand voltage ( V r.m.s. )			
		Normal products	Safety standard	Normal products	Safety standard	Normal products	Safety standard		
			UL • CSA		UL • CSA		UL • CSA		
16	3	DC 500V	2,000 min.	3 max.		1,500			
	5	DC 500V	1,000 min.	5 max.		1,000			
	8	DC 250V	1,000 min.	—	5 max.	—	500	—	
20	2	DC 500V 2,000 min.		3 max.		1,500			
	3								
	4								
	5								
	7	DC 500V 1,000 min.		5 max.		1,000			
	10								
	12								
14	DC 250V	1,000 min.	—	5 max.	—	500	—		
24	2	DC 500V 5,000 min.		DC 500V 2,000 min.		3 max.		1,500	
	3								
	4								
	5								
	10	DC 500V 2,000 min.		5 max.		1,000			
	14	DC 500V 1,000 min.							
	16	DC 500V 1,000 min.							
	21	DC 250V	1,000 min.	—	5 max.	—	500	—	
24									
28	16	DC 500V 2,000 min.		3 max.		1,000			
	24	DC 500V 1,000 min.		5 max.					
	31	DC 250V 1,000 min.		5 max.		500		—	
	37								
32	3	DC 500V 2,000 min.		3 max.		2,000			
	4								
	8					1,500			
	10								
	12								

( Waterproof ) No trace of water exposure after being kept at a water pressure of 40 kPa for 24 hours in the coupled state in its normal state of use.





# NAW Series



Waterproof equivalent to IP-67

Safety standard certified products available

RoHS

Quick lock

- Overview**
- Metallic type of quick lock waterproof connectors.
  - Robust assured by employment of a metallic shell.
  - Suitable for use in civil engineering & construction machines and other various types of machinery.

<b>Feature</b>	RoHS	RoHS Directive compliant
	Waterproof	Waterproof connector 【 Waterproof function equivalent to IP-67 when coupled 】
	Lock method	Quick lock
	Features of mechanism/material	<ul style="list-style-type: none"> <li>○ Die cast shell with zinc alloy.</li> <li>○ Smooth coupling thanks to employment of 5-key system guide.</li> <li>○ Installation in a small space enabled by use of the L za.</li> </ul>
	Standards	<ul style="list-style-type: none"> <li>○ UL • CSA standard certified connectors available. ( UL : UL1977 CSA : C22.2 No.182.3 )</li> <li>○ &lt; CSA NRTL/C &gt; standard certified connectors available. ( CSA : C22.2 No.182.3 UL : 1977 )</li> </ul> <p><small>Note: The specifications of safety standard certified products are slightly different from those of standard products. For the rated voltage, current and cable conductor cross sectional area, refer to A List of Standards Acquired ( pp.128-129 ).</small></p>
	Cable termination	Soldering

## Characteristics

Insulation resistance , Withstand voltage , Contact resistance , Waterproof p.103

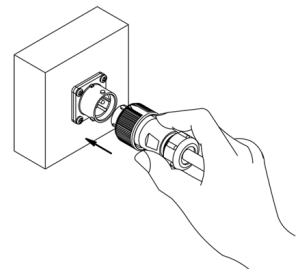


The pin contact type has an **exposed electrode**. If it is used on the [ power supply ] side, it may cause **electric shock** or **short-circuit accidents**. To prevent such accidents, use the socket contact type on the [ power supply ] side and the pin contact type on the [ equipment ] side.

## Insertion

Align the plug and the guide of the mating connector ( receptacle/adapter ) and push in straight until it clicks in place.

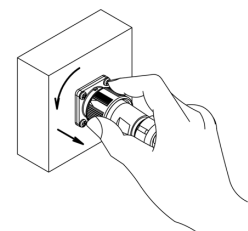
**Caution: When inserting, do not turn the lock nut.**



## Extraction

Extract the connector with the lock nut turned in the arrow direction 30 degrees CCW for Size 16 and 45 degrees CCW for Sizes 20 & 24.

**Caution: When extracting, do not turn the end bell.**



# NAW Series

## Product No. designation

NAW - 20 ■ - P M □

① ② ③ ④ ⑤ ⑥ ⑦ ⑧ ⑨

- ① Series designation
- ② Shell size
- ③ Number of contacts
- ④ Shell shape
- ⑤ Contact shape < Pin ( male ) contact : M , Socket ( female ) contact : F >
- ⑥ K type symbol ( K ) 《 Required only for products with settings 》
- ⑦ Guide position change symbol ( X , Y , Z ) 《 Required only when changing the guide position 》
- ⑧ Symbol indicating cable packing size. 《 Plug & adapter require symbol to be specified. 》
- ⑨ Safety standard specification ( < UL • CSA > , < CSA NRTL/C > )  
《 Required only when safety standard is to be specified. 》 For applicable products, see pp.128-129.

## 《Option》

• When using a plural number of same products at the same time, the guide position can be changed in order to prevent mis-insertion.

( For applicable products, see below. )

Product name example : NAW-2010-PFX

Guide position change symbol ( X , Y , Z ) in the red character part.

## Cable termination : Soldering

## Material and Finish

	Material	Finish
Shell	Zinc alloy ( Partially aluminum alloy )	Special treatment
Insulator	Synthetic resin	—
Contact	Copper alloy	Silver plating Gold plating
Packing	Synthetic rubber	—

## Operating temperature range

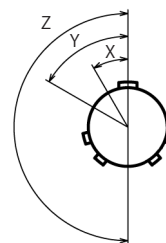
Shell size	Number of Contacts	Operating temperature range
16	3, 5	-25°C to +85°C
20	2, 3, 4, 5, 7, 10, 12	
24	2, 3, 4, 5, 10, 14, 16	
16	8	-25°C to +60°C
20	14	
24	21, 24	

## To change the guide position ( Following number of contacts only )

Shell size	Number of Contacts	Guide Position Symbol		
		X	Y	Z
16	★ 3	30°	60°	180°
	★ 5	45°	90°	315°
20	☆ 7	30°	-	-
	☆ 10	45°	90°	315°
	☆ 12		95°	190°
24	★ 10	45°	90°	315°
	★ 14			
	★ 16			

★ CSA NRTL/C products supported also.

☆ UL • CSA products supported also.

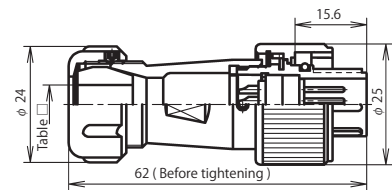


An image of guide position change

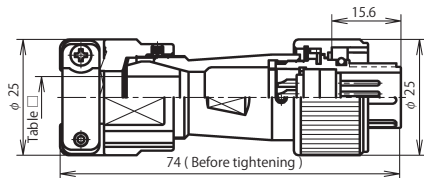
< When viewed from the pin ( male ) contact side coupling face >

# NAW Series Shell Size 16

【 Power receiving side 】 < Pin ( male ) contact used >



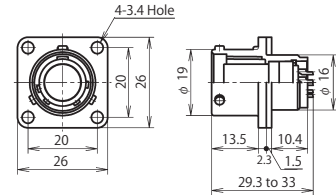
NAW-16 ■ -PM □



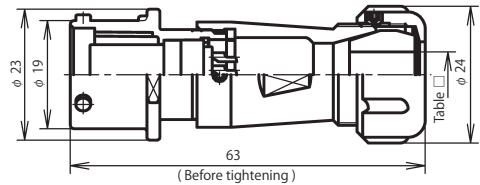
NAW-16 ■ -PMK □

G Type

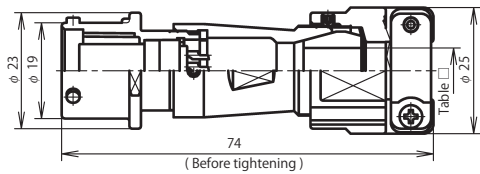
【 Power supply side 】 < Socket ( female ) contact used >



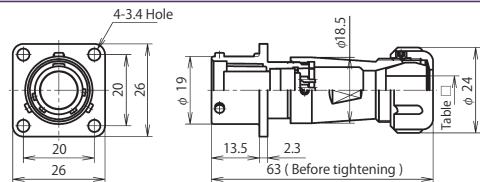
NAW-16 ■ -RF



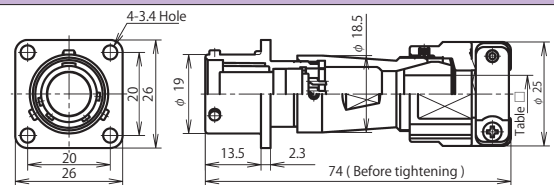
NAW-16 ■ -AdF □



NAW-16 ■ -AdFK □



NAW-16 ■ -Ad(F)F □



NAW-16 ■ -Ad(F)FK □

Plug

Coupled

Adapter

Cap p.102 • L za p.91

For the plug and adapter, be sure to select □ ( cable packing symbol ).

## Table □

In order to secure the intended waterproof function, a cable to be used for the plug/adapter should have an appropriate specification and structure.

Shell size	Symbol □	Outer diameter of cable used	Normal products		Safety standard	
			Standard	K Type	Standard	K Type
16	5	φ 4.0 to φ 4.8	●	—	●	—
	7	φ 5.7 to φ 6.8	●	●	●	—
	8	φ 6.9 to φ 7.9	●	●	●	—
	9	φ 8.0 to φ 9.4	●	●	●	—
11	φ 9.5 to φ 11.0	●	●	●	—	

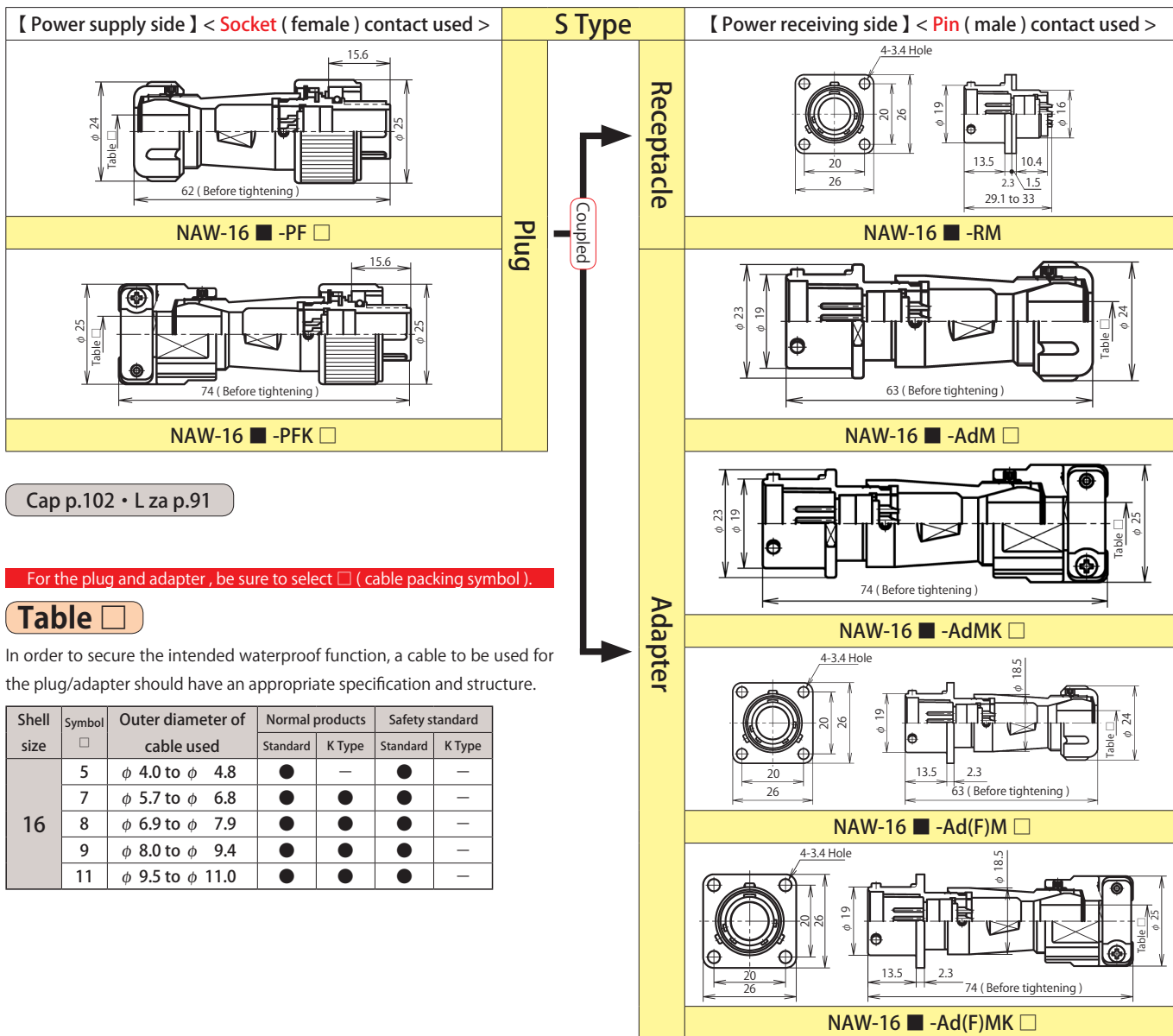
■ indicates the number of contacts.

The conductor cross sectional area is less than the following value. However, for safety standard certified products, use a cable having a value shown on p.129.

Shell size	Number of Contacts	3	5	8
16	Contact arrangement <When viewed from the pin (male) contact coupling side>			
	Safety standard (Note-1)	CSA NRTL/C		
	Rating ( Allowable current for signals )	125V		
	Withstand voltage ( V r.m.s. )	10A	5A	[ 3A ]
	Wire size ( mm <sup>2</sup> )	1.25	0.5	0.3
	Remarks	— For signals		

[ ] : Gold plating contact

Note-1 : Specified separately. For safety standards, see p.129.



Cap p.102 • L za p.91

For the plug and adapter, be sure to select □ (cable packing symbol).

### Table □

In order to secure the intended waterproof function, a cable to be used for the plug/adapter should have an appropriate specification and structure.

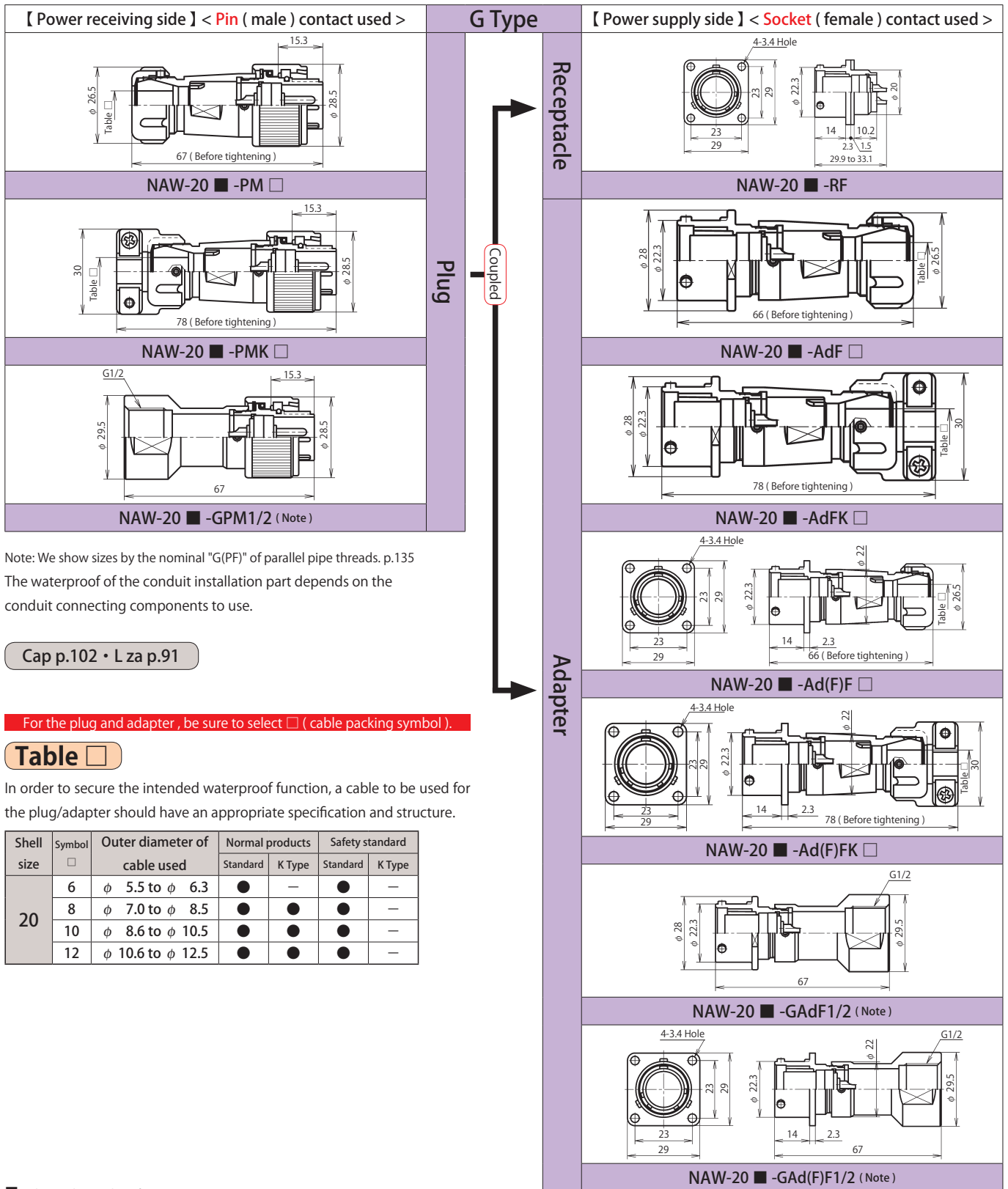
Shell size	Symbol □	Outer diameter of cable used	Normal products		Safety standard	
			Standard	K Type	Standard	K Type
16	5	φ 4.0 to φ 4.8	●	—	●	—
	7	φ 5.7 to φ 6.8	●	●	●	—
	8	φ 6.9 to φ 7.9	●	●	●	—
	9	φ 8.0 to φ 9.4	●	●	●	—
11	φ 9.5 to φ 11.0	●	●	●	—	

■ indicates the number of contacts.  
The conductor cross sectional area is less than the following value. However, for safety standard certified products, use a cable having a value shown on p.129.

Shell size	Number of Contacts	3	5	8
16	Contact arrangement <When viewed from the pin (male) contact coupling side>			
	Safety standard (Note-1)	CSA NRTL/C		—
	Rating (Allowable current for signals)	125V		—
	Withstand voltage (V r.m.s.)	10A	5A	[3A]
	Wire size (mm <sup>2</sup> )	1.25	0.5	0.3
	Remarks	—		For signals

Note-1 : Specified separately. For safety standards, see p.129.

[ ] : Gold plating contact



Note: We show sizes by the nominal "G(PF)" of parallel pipe threads. p.135  
 The waterproof of the conduit installation part depends on the conduit connecting components to use.

Cap p.102 • L za p.91

For the plug and adapter, be sure to select  (cable packing symbol).

### Table

In order to secure the intended waterproof function, a cable to be used for the plug/adapter should have an appropriate specification and structure.

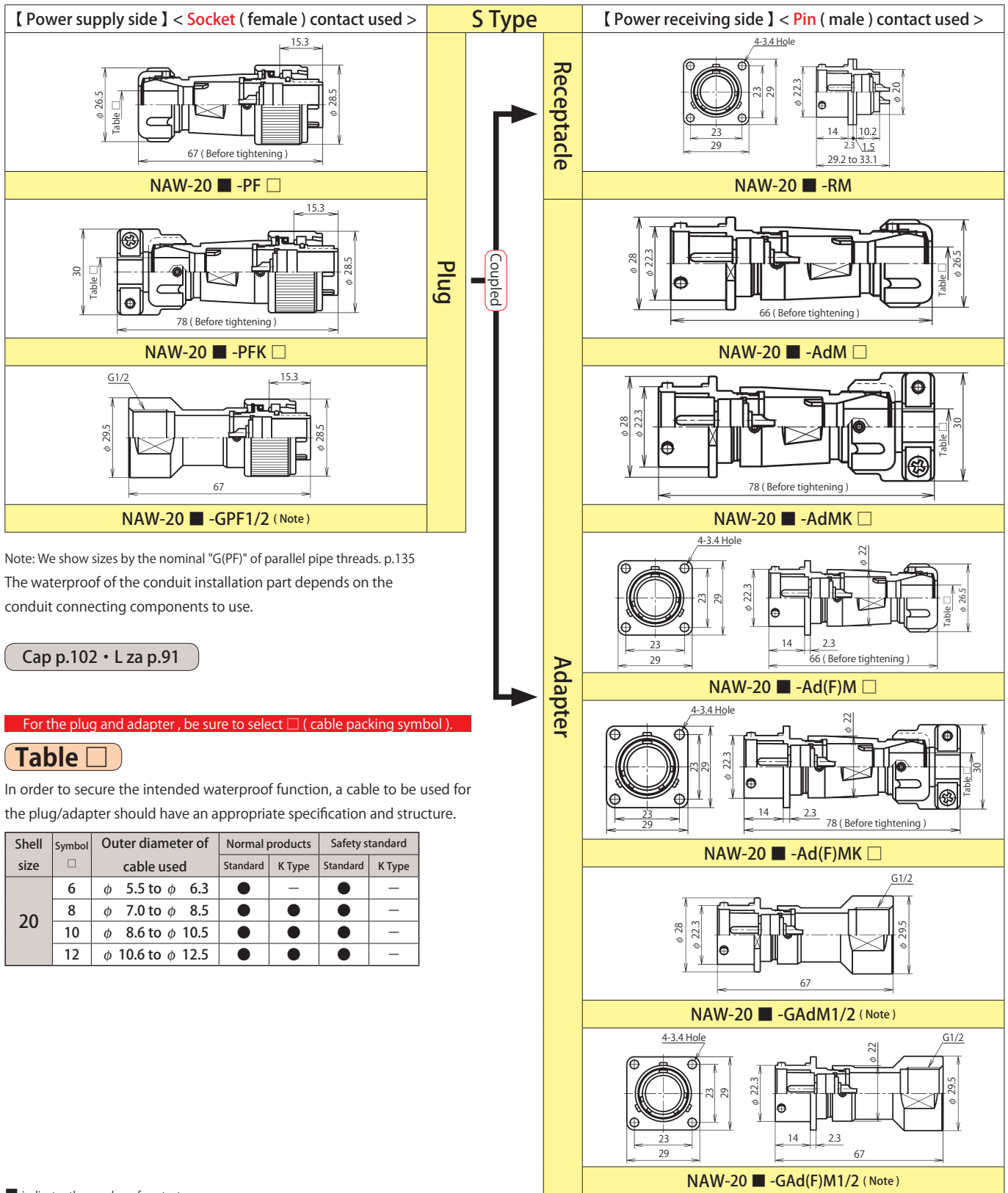
Shell size	Symbol <input type="checkbox"/>	Outer diameter of cable used	Normal products		Safety standard	
			Standard	K Type	Standard	K Type
20	6	φ 5.5 to φ 6.3	●	—	●	—
	8	φ 7.0 to φ 8.5	●	●	●	—
	10	φ 8.6 to φ 10.5	●	●	●	—
	12	φ 10.6 to φ 12.5	●	●	●	—

■ indicates the number of contacts.  
 The conductor cross sectional area is less than the following value. However, for safety standard certified products, use a cable having a value shown on p.128.

Shell size	Number of Contacts	2	3	4	5	7	10	12	14	
20	Contact arrangement <When viewed from the pin (male) contact coupling side>									
	Safety standard (Note-1)	UL • CSA								
	Rating (Allowable current for signals)	250V								
	Withstand voltage (V r.m.s.)	1,500			1,000			500		
	Wire size (mm <sup>2</sup> )	2		1.25			0.5		0.3	
	Remarks	—								

: Gold plating contact

Note-1 : Specified separately. "Specified as a set of UL and CSA". For safety standards, see p.128.



Note: We show sizes by the nominal "G(PF)" of parallel pipe threads. p.135  
 The waterproof of the conduit installation part depends on the conduit connecting components to use.

Cap p.102 • L za p.91

For the plug and adapter, be sure to select  (cable packing symbol).

### Table

In order to secure the intended waterproof function, a cable to be used for the plug/adapter should have an appropriate specification and structure.

Shell size	Symbol <input type="checkbox"/>	Outer diameter of cable used	Normal products		Safety standard	
			Standard	K Type	Standard	K Type
20	6	φ 5.5 to φ 6.3	●	—	●	—
	8	φ 7.0 to φ 8.5	●	●	●	—
	10	φ 8.6 to φ 10.5	●	●	●	—
	12	φ 10.6 to φ 12.5	●	●	●	—

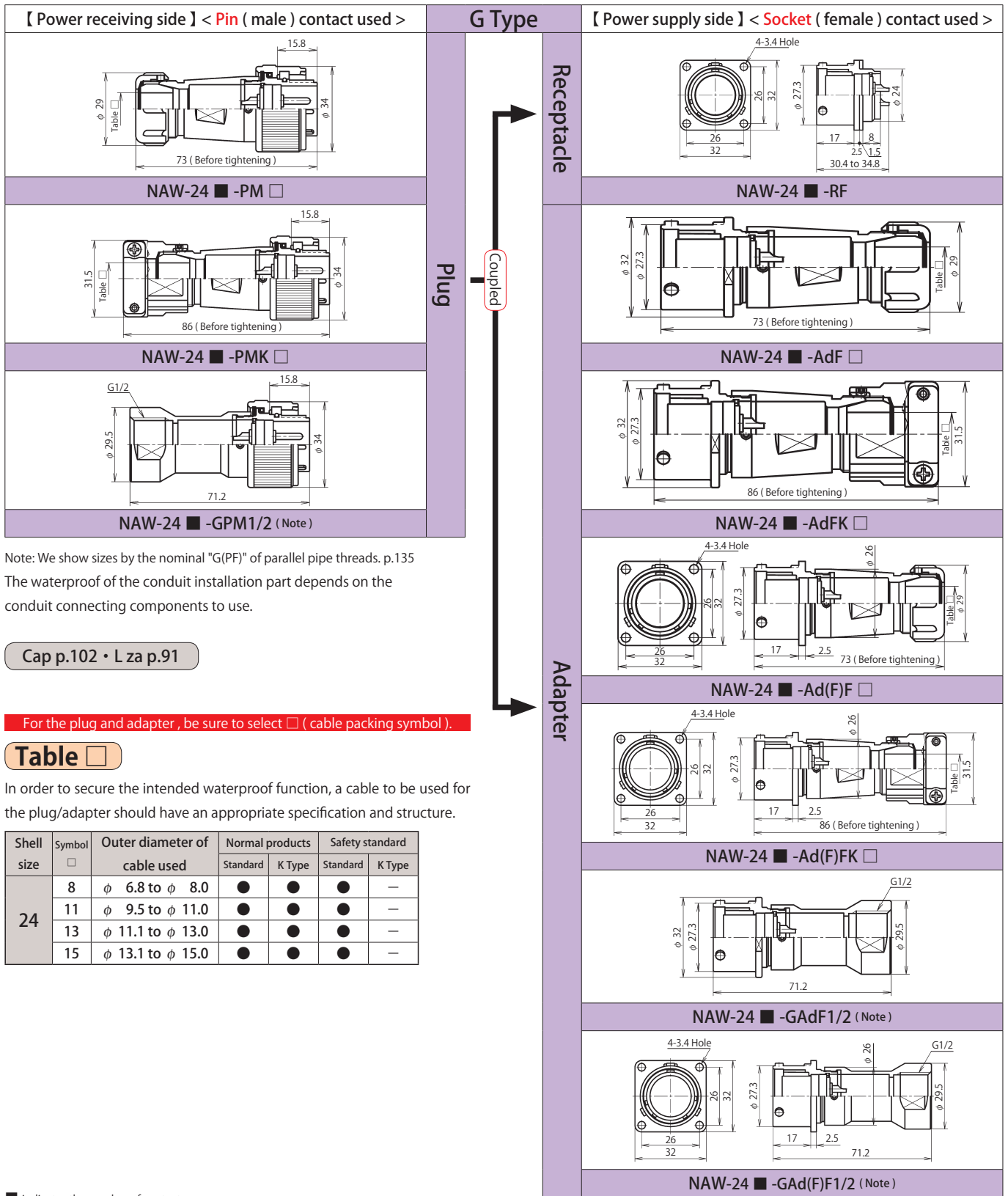
■ indicates the number of contacts.  
 The conductor cross sectional area is less than the following value. However, for safety standard certified products, use a cable having a value shown on p.128.

Shell size	Number of Contacts	2	3	4	5	7	10	12	14	
20	Contact arrangement <When viewed from the pin (male) contact coupling side>									
	Safety standard (Note-1)	UL · CSA							—	—
	Rating (Allowable current for signals)	15A		10A			5A		[ 3A ]	
	Withstand voltage ( V r.m.s. )	1,500				1,000			500	
	Wire size ( mm <sup>2</sup> )	2		1.25			0.5		0.3	
	Remarks	—							For signals	

Note-1 : Specified separately, "Specified as a set of UL and CSA". For safety standards, see p.128.

[ ] : Gold plating contact





Note: We show sizes by the nominal "G(PF)" of parallel pipe threads. p.135  
 The waterproof of the conduit installation part depends on the conduit connecting components to use.

Cap p.102 • L za p.91

For the plug and adapter, be sure to select  (cable packing symbol).

### Table

In order to secure the intended waterproof function, a cable to be used for the plug/adapter should have an appropriate specification and structure.

Shell size	Symbol <input type="checkbox"/>	Outer diameter of cable used	Normal products		Safety standard	
			Standard	K Type	Standard	K Type
24	8	φ 6.8 to φ 8.0	●	●	●	—
	11	φ 9.5 to φ 11.0	●	●	●	—
	13	φ 11.1 to φ 13.0	●	●	●	—
	15	φ 13.1 to φ 15.0	●	●	●	—

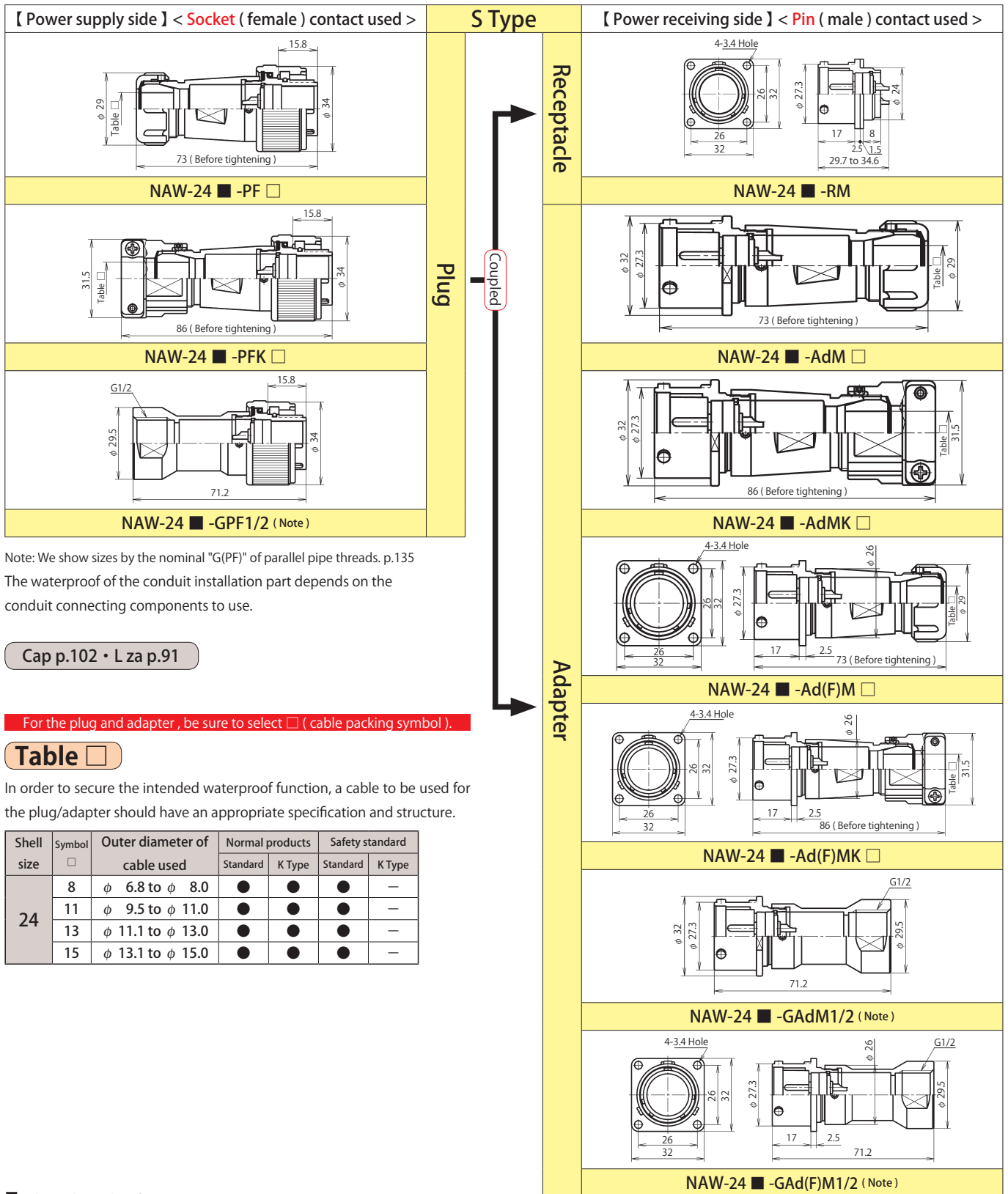
■ indicates the number of contacts.  
 The conductor cross sectional area is less than the following value. However, for safety standard certified products, use a cable having a value shown on p.129.

Shell size	Number of Contacts	2	3	4	5	10	14	16	21	24	
24	Contact arrangement <When viewed from the pin (male) contact coupling side>										
	Safety standard (Note-1)	CSA NRTL/C								—	—
	Rating (Allowable current for signals)	250V								3pcs=6A [18pcs=3A]	[3A]
	Withstand voltage (V r.m.s.)	1,500				1,000				500	
	Wire size (mm <sup>2</sup> )	3.5		2		1.25		0.5		3pcs=0.75 18pcs=0.3	0.3
	Remarks	—									For signals

: Gold plating contact

Note-1 : Specified separately. For safety standards, see p.129.





Note: We show sizes by the nominal "G(PF)" of parallel pipe threads. p.135  
 The waterproof of the conduit installation part depends on the conduit connecting components to use.

Cap p.102 • L za p.91

For the plug and adapter, be sure to select □ (cable packing symbol).

### Table □

In order to secure the intended waterproof function, a cable to be used for the plug/adapter should have an appropriate specification and structure.

Shell size	Symbol □	Outer diameter of cable used	Normal products		Safety standard	
			Standard	K Type	Standard	K Type
24	8	φ 6.8 to φ 8.0	●	●	●	—
	11	φ 9.5 to φ 11.0	●	●	●	—
	13	φ 11.1 to φ 13.0	●	●	●	—
	15	φ 13.1 to φ 15.0	●	●	●	—

■ indicates the number of contacts.  
 The conductor cross sectional area is less than the following value. However, for safety standard certified products, use a cable having a value shown on p.129.

Shell size	Number of Contacts	2	3	4	5	10	14	16	21	24	
24	Contact arrangement <When viewed from the pin (male) contact coupling side>										
	Safety standard (Note-1)	CSA NRTL/C								—	—
	Rating (Allowable current for signals)	250V								3pcs=6A [18pcs=3A]	[3A]
	Withstand voltage (V r.m.s.)	1,500				1,000				500	
	Wire size (mm <sup>2</sup> )	3.5		2		1.25		0.5		3pcs=0.75 18pcs=0.3	0.3
	Remarks	—								For signals	

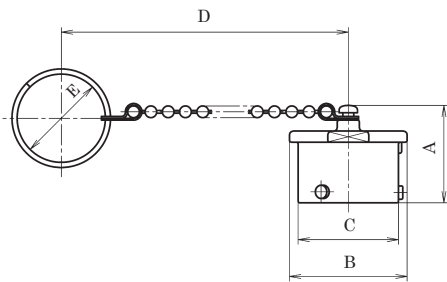
Note-1 : Specified separately. For safety standards, see p.129.

[ ] : Gold plating contact

# NAW Series

## ◆ [PCa] Plug cap

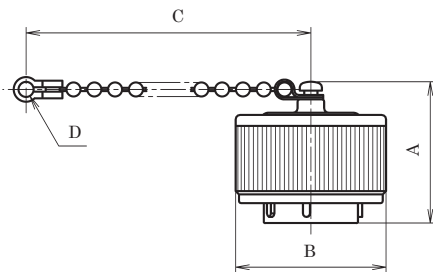
Caps used for plugs. Used to protect the contact part when they are not coupled with a receptacle/adaptor.



Shell size	Designation	Standard dimensions				
		A	B	C	D	E
16	NAW-16-PCa	25	φ 23	φ 19	160	φ 21
20	NAW-20-PCa		φ 28	φ 22.3		
24	NAW-24-PCa	26.5	φ 32	φ 27.3	165	φ 24

## ◆ [RCa] Receptacle cap

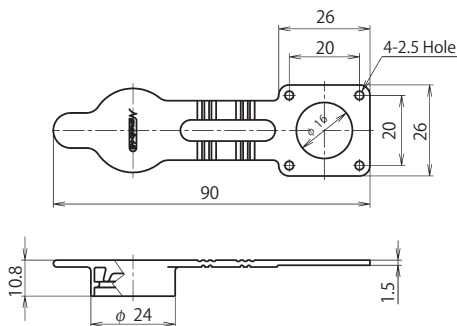
Caps used for receptacles. Used to protect the contact part when they are not coupled with a plug.



Shell size	Designation	Standard dimensions			
		A	B	C	D
16	NAW-16-RCa	30.5	φ 25	150 (※ 1)	3.45 Hole
20	NAW-20-RCa	32	φ 28.5		
24	NAW-24-RCa		φ 34		

(※ 1) Length 70 mm also available. ( Example : NAW-20-RCa L70)

## ◆ [RCa • 2] Receptacle rubber cap



Caps used for receptacles. Used to protect the contact part when they are not coupled with a plug.

This is a flange packing one piece type and the flange packing part is installed between the flange of the receptacle and the mounting panel.

The flange packing part is water tight. The cap is not water tight.

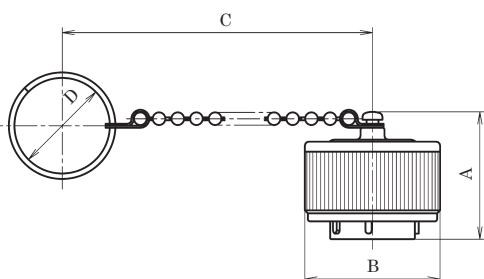
Shell size 16 NAW only

Shell size	Designation
16	NAW-16-RCa • 2

## ◆ [AdCa] Adapter cap

Caps used for adapters. Used to protect the contact part when they are not coupled with a plug.

For adapters with flange, RCa may also be used.



Shell size	Designation	Standard dimensions			
		A	B	C	D
16	NAW-16-AdCa	30.5	φ 25	160	φ 21
20	NAW-20-AdCa	32	φ 28.5		
24	NAW-24-AdCa			φ 34	165

# NAW Series Characteristics



↓ Number of contacts

Shell size	Contact	Insulation resistance ( M Ω )		Contact resistance ( m Ω )		Withstand voltage ( V r.m.s. )	
		Normal products	Safety standard	Normal products	Safety standard	Normal products	Safety standard
			CSA NRTL/C		CSA NRTL/C		CSA NRTL/C
16	3	DC 500V	2,000 min.	3 max.		1,500	
	5	DC 500V	1,000 min.	5 max.		1,000	
	8	DC 250V	1,000 min.	—	5 max.	—	500
24	2	DC 500V	5,000 min.	3 max.		1,500	
	3						
	4						
	5						
	10	DC 500V	2,000 min.	5 max.		1,000	
	14	DC 500V	1,000 min.				
	16						
	21	DC 250V	1,000 min.	—	5 max.	—	500
24							

↓ Number of contacts

Shell size	Contact	Insulation resistance ( M Ω )		Contact resistance ( m Ω )		Withstand voltage ( V r.m.s. )	
		Normal products	Safety standard	Normal products	Safety standard	Normal products	Safety standard
			UL • CSA		UL • CSA		UL • CSA
20	2	DC 500V	2,000 min.	3 max.		1,500	
	3						
	4						
	5						
	7	DC 500V	1,000 min.	5 max.		1,000	
	10						
	12						
	14	DC 250V	1,000 min.	—	5 max.	—	500

( Waterproof ) No trace of water exposure after being kept at a water pressure of 40 kPa for 24 hours in the coupled state in its normal state of use.

# N R W Series



Waterproof equivalent to IP-67

Safety standard certified products available

RoHS

Quick lock

## Overview

- Made of resin and light weight. Quick lock system to make these connectors most suitable for portable equipment.
- Proven performance in outdoor measuring equipment, semiconductor equipment, temporary equipment for events, etc.

## Feature

RoHS	RoHS Directive compliant
Waterproof	Waterproof connector 【 Waterproof function equivalent to IP-67 when coupled 】
Lock method	Quick lock
Features of mechanism/ material	<ul style="list-style-type: none"> <li>○ Shell made of weather-resistant, high-strength plastic.</li> <li>○ Light weight and sturdy.</li> <li>○ Installation in a small space enabled by use of the L za.</li> </ul>
Standards	<ul style="list-style-type: none"> <li>○ UL • CSA standard certified connectors available. ( UL : UL1977 CSA : C22.2 No.182.3 )</li> <li>○ Safety standard certified connectors available. ( EN61984 compliant, TÜV certified )</li> </ul> <p><small>Note: The specifications of safety standard certified products are slightly different from those of standard products. For the rated voltage, current and cable conductor cross sectional area, refer to A List of Standards Acquired ( pp.128 and 130 ).</small></p>
Cable termination	Soldering

## Characteristics

Insulation resistance , Withstand voltage , Contact resistance , Waterproof p.112

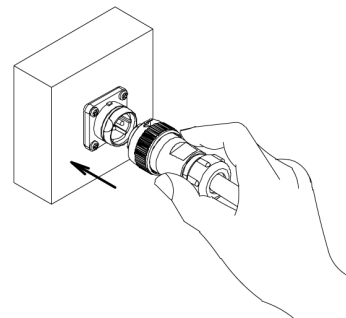


The pin contact type has an **exposed electrode**. If it is used on the [ power supply ] side, it may cause **electric shock** or **short-circuit accidents**. To prevent such accidents, use the socket contact type on the [ power supply ] side and the pin contact type on the [ equipment ] side.

## Insertion

Align the plug and the guide of the mating connector ( receptacle/adapter ) and push in straight.

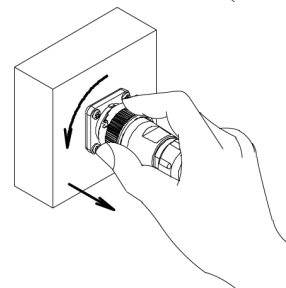
**Caution: When inserting, do not turn the coupling nut.**



## Extraction

With the coupling nut turned CCW 45 degrees in the arrow direction, extract the connector.

**Caution: When extracting, do not turn the end bell.**



# NRW Series

## Product No. designation

NRW - 24 ■ - P M □

① ② ③ ④ ⑤ ⑥ ⑦ ⑧

- ① Series designation
- ② Shell size
- ③ Number of contacts
- ④ Shell shape
- ⑤ Contact shape < Pin ( male ) contact : M , Socket ( female ) contact : F >
- ⑥ Guide position change symbol ( X , Y , Z ) 《 Required only when changing the guide position 》
- ⑦ Symbol indicating cable packing size. 《 Plug & adapter require symbol to be specified. 》
- ⑧ Safety standard specification ( < UL • CSA > , < UL • CSA , TUV > )  
《 Required only when safety standard is to be specified. 》 For applicable products, see pp.128 and 130.

## 《Option》

• When using a plural number of same products at the same time, the guide position can be changed in order to prevent mis-insertion.  
( For applicable products, see below. )  
Product name example : NRW-2010-PFX  
Guide position change symbol ( X , Y , Z ) in the red character part.

## Cable termination : Soldering

## Material and Finish

	Material	Finish
Shell	Synthetic resin	—
Insulator		
Contact	Copper alloy	Silver plating Gold plating
Packing	Synthetic rubber	—

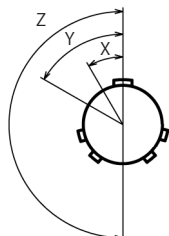
## Operating temperature range

Shell size	Number of Contacts	Operating temperature range
20	2, 3, 4, 5, 7, 10, 12	-25°C to +85°C
24	2, 3, 4, 5, 10, 14, 16	
28	16, 24	-25°C to +60°C
20	14	
24	21, 24	
28	31, 37	

## To change the guide position ( Following number of contacts only )

Shell size	Number of Contacts	Guide Position Symbol		
		X	Y	Z
20	7	30°	-	-
	* 10	45°	90°	315°
	12		95°	190°
24	10	45°	90°	315°
	14			
	16			
28	* 16	45°	90°	315°
	* 24			

\* UL • CSA products supported also.



An image of guide position change  
< When viewed from the pin ( male ) contact side coupling face >

## Upper limit of ambient temperature at rated current

### TÜV products only

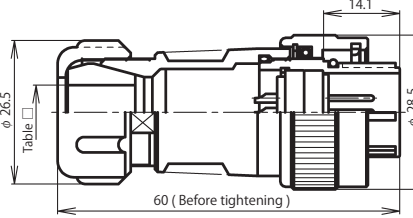
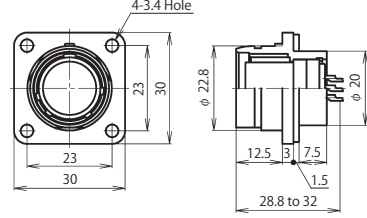
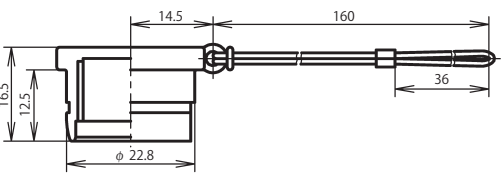
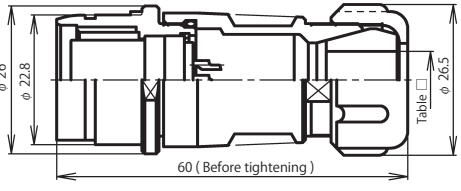
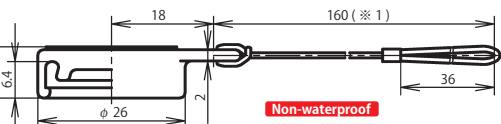
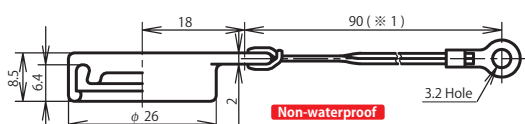
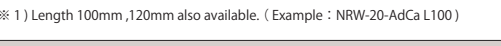
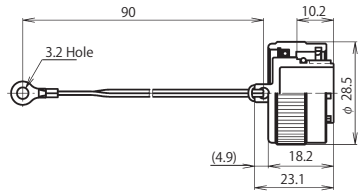
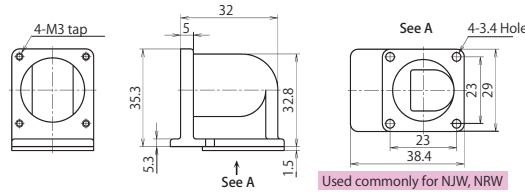
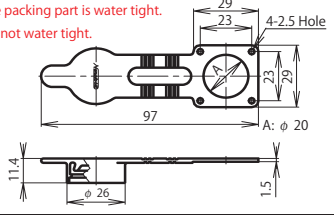
Shell size	Number of Contacts			
	2	3	4	5
20	+77°C	+77°C	+77°C	+77°C
24	+67°C	+67°C	+77°C	+77°C

( Note ) Max.ambient temp. at rated current  
( Based on TÜV certification test results )

# NRW Series Shell Size 20

NRW

20



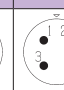
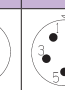
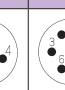

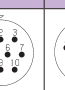
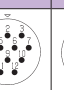
【 Power receiving side 】 < Pin ( male ) contact used >	G Type	【 Power supply side 】 < Socket ( female ) contact used >
 <p>NRW-20 ■ -PM □</p>	<p>Plug</p> <p>Coupled</p> <p>Receptacle</p> <p>Adapter</p>	 <p>NRW-20 ■ -RF</p>
 <p>Plug waterproof cap : NRW-20-PCa • 1</p>		 <p>NRW-20 ■ -AdF □</p>
 <p>Adapter rubber cap : NRW-20-AdCa</p> <p>(※ 1) Length 100mm, 120mm also available. (Example : NRW-20-AdCa • 1 L100)</p>	<p>Accessory</p>	 <p>Receptacle rubber cap : NRW-20-RCa</p>
 <p>Adapter waterproof cap : NRW-20-AdCa • 1</p> <p>(※ 1) Length 100mm, 120mm also available. (Example : NRW-20-AdCa • 1 L100)</p>		 <p>Receptacle waterproof cap : NRW-20-RCa • 1</p>
 <p>NJW-20-L za</p> <p>Used commonly for NJW, NRW</p>		 <p>Receptacle rubber cap : NRW-20-RCa • 2</p> <p>The flange packing part is water tight. The cap is not water tight.</p>
<p>For the plug and adapter , be sure to select □ ( cable packing symbol ).</p>		

## Table □

In order to secure the intended waterproof function, a cable to be used for the plug/adapter should have an appropriate specification and structure.

Shell size	Symbol □	Outer diameter of cable used	Normal products	Safety standard	Symbol □	Outer diameter of cable used	Normal products	Safety standard
20	6	φ 5.5 to φ 6.3	●	—	10	φ 8.6 to φ 10.5	●	●
	8	φ 7.0 to φ 8.5	●	●	12	φ 10.6 to φ 12.5	●	●

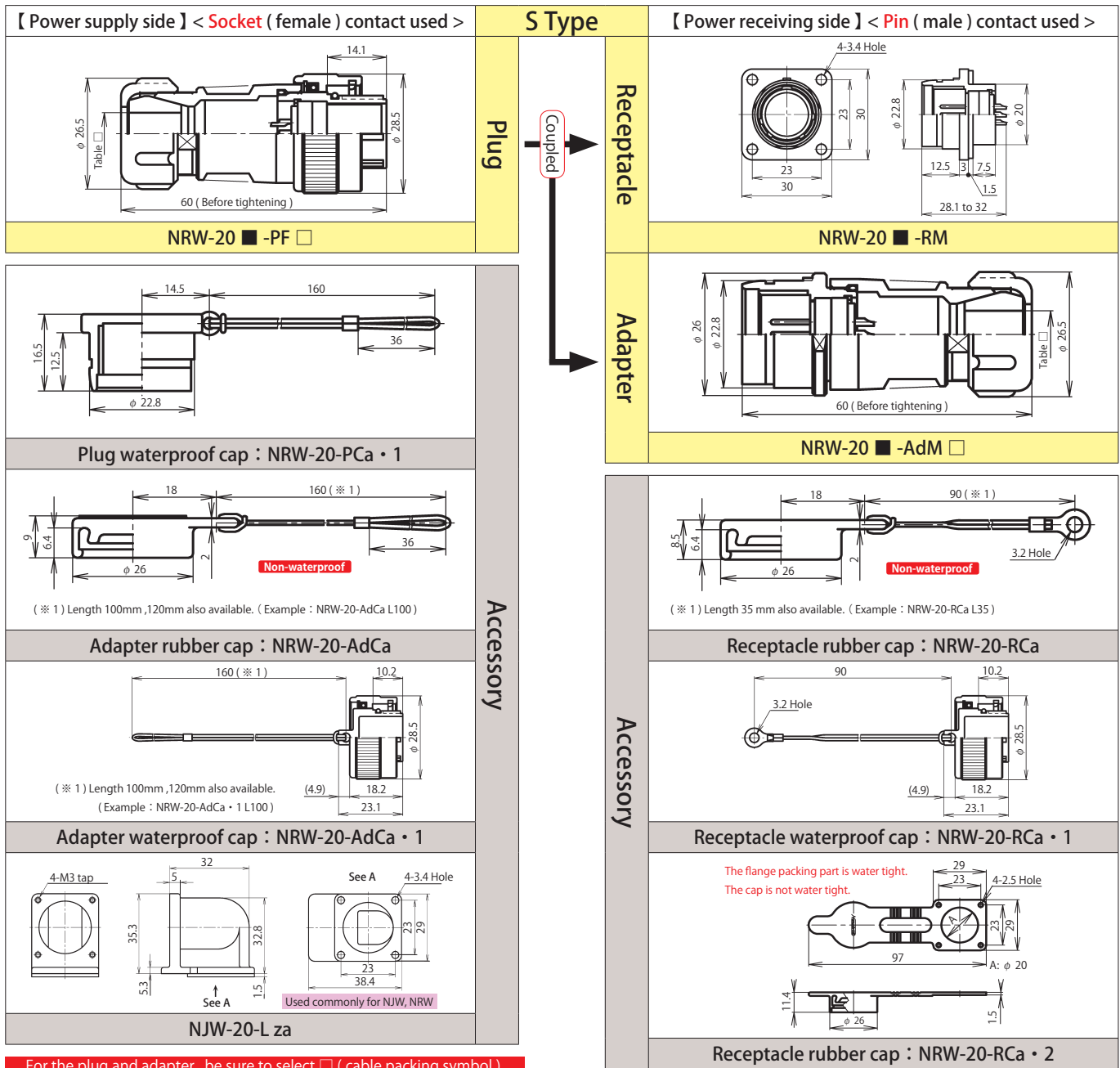
■ indicates the number of contacts.  
The conductor cross sectional area is less than the following value. However, for safety standard certified products, use a cable having a value shown on pp.128 and 130.

Shell size	Number of Contacts	2	3	4	5	7	10	12	14		
20	Contact arrangement <When viewed from the pin (male) contact coupling side>										
	Safety standard ( Note-1 )	UL · CSA, TÜV					UL · CSA			—	
	Rating ( Allowable current for signals )	15A					10A		5A		[ 3A ]
	Withstand voltage ( V r.m.s. )	1,500					1,000			500	
	Wire size ( mm <sup>2</sup> )	2			1.25		0.5		0.3		
	Remarks	—								For signals	

[ ] : Gold plating contact

Note-1 : Specified separately. Selection of either "specified as a set of UL and CSA" or "UL, CSA and TÜV specified." For safety standards, see pp. 128 and 130.

# NRW Series Shell Size 20



NRW

20

## Table □

In order to secure the intended waterproof function, a cable to be used for the plug/adapter should have an appropriate specification and structure.

Shell size	Symbol □	Outer diameter of cable used	Normal products	Safety standard	Symbol □	Outer diameter of cable used	Normal products	Safety standard
20	6	φ 5.5 to φ 6.3	●	—	10	φ 8.6 to φ 10.5	●	●
	8	φ 7.0 to φ 8.5	●	●	12	φ 10.6 to φ 12.5	●	●

■ indicates the number of contacts. The conductor cross sectional area is less than the following value. However, for safety standard certified products, use a cable having a value shown on pp.128 and 130.

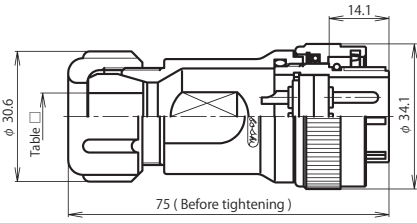
Shell size	Number of Contacts	2	3	4	5	7	10	12	14	
20	Contact arrangement <When viewed from the pin (male) contact coupling side>									
	Safety standard (Note-1)	UL·CSA,TÜV					UL·CSA			—
	Rating (Allowable current for signals)	15A					10A		5A	[ 3A ]
	Withstand voltage (V r.m.s.)	1,500					1,000			500
	Wire size (mm <sup>2</sup> )	2					1.25		0.5	0.3
	Remarks	—								For signals

[ ] : Gold plating contact

Note-1 : Specified separately. Selection of either "specified as a set of UL and CSA" or "UL, CSA and TÜV specified." For safety standards, see pp. 128 and 130.

# NRW Series Shell Size 24

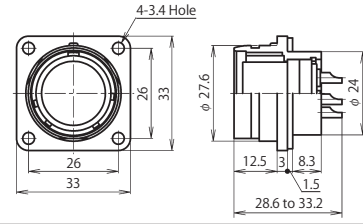
【 Power receiving side 】 < Pin ( male ) contact used >



NRW-24 ■ -PM □

G Type

【 Power supply side 】 < Socket ( female ) contact used >



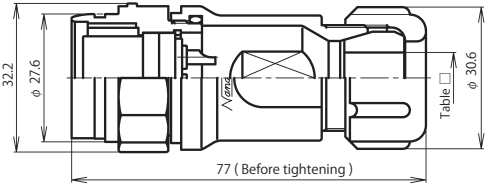
NRW-24 ■ -RF

Plug

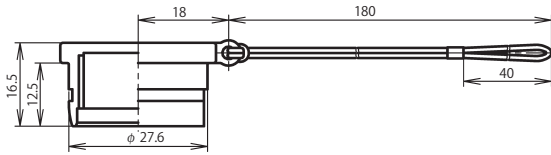


Receptacle

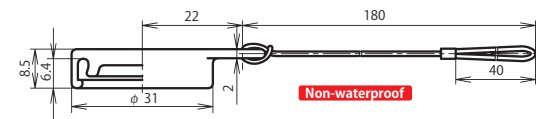
Adapter



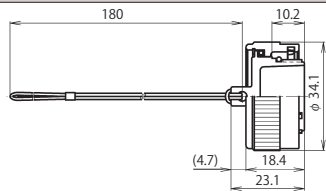
NRW-24 ■ -AdF □



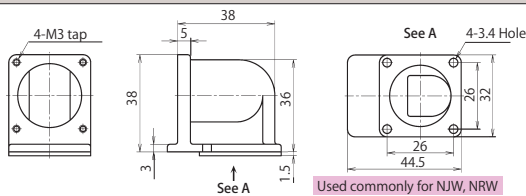
Plug waterproof cap : NRW-24-PCa • 1



Adapter rubber cap : NRW-24-AdCa



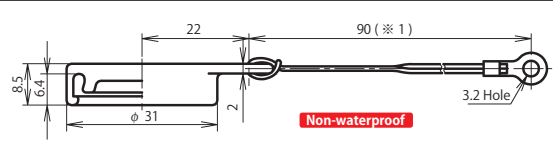
Adapter waterproof cap : NRW-24-AdCa • 1



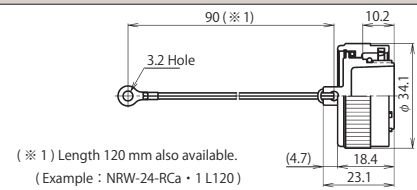
NJW-24-L za

Accessory

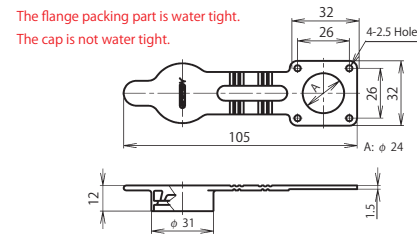
Accessory



Receptacle rubber cap : NRW-24-RCa



Receptacle waterproof cap : NRW-24-RCa • 1



Receptacle rubber cap : NRW-24-RCa • 2

For the plug and adapter, be sure to select □ ( cable packing symbol ).

## Table □

In order to secure the intended waterproof function, a cable to be used for the plug/adapter should have an appropriate specification and structure.

Shell size	Symbol	Outer diameter of cable used	Normal products	Safety standard
24	8	φ 6.8 to φ 8.0	●	—
	11	φ 9.5 to φ 11.0	●	●
	13	φ 11.1 to φ 13.0	●	●
	15	φ 13.1 to φ 15.0	●	●

■ indicates the number of contacts.

The conductor cross sectional area is less than the following value. However, for safety standard certified products, use a cable having a value shown on pp.128 and 130.

Shell size	Number of Contacts	2	3	4	5	10	14	16	21	24							
24	Contact arrangement <When viewed from the pin (male) contact coupling side>																
	Safety standard (Note-1)	UL·CSA,TÜV					UL·CSA										
	Rating (Allowable current for signals)	250V					—										
	Withstand voltage (V r.m.s.)	20A	15A	10A	5A	3pcs=6A [18pcs=3A]	[ 3A ]										
	Wire size (mm <sup>2</sup> )	1,500					500										
	Remarks	3.5					2				1.25		0.5		3pcs=0.75 18pcs=0.3		0.3

[ ] : Gold plating contact

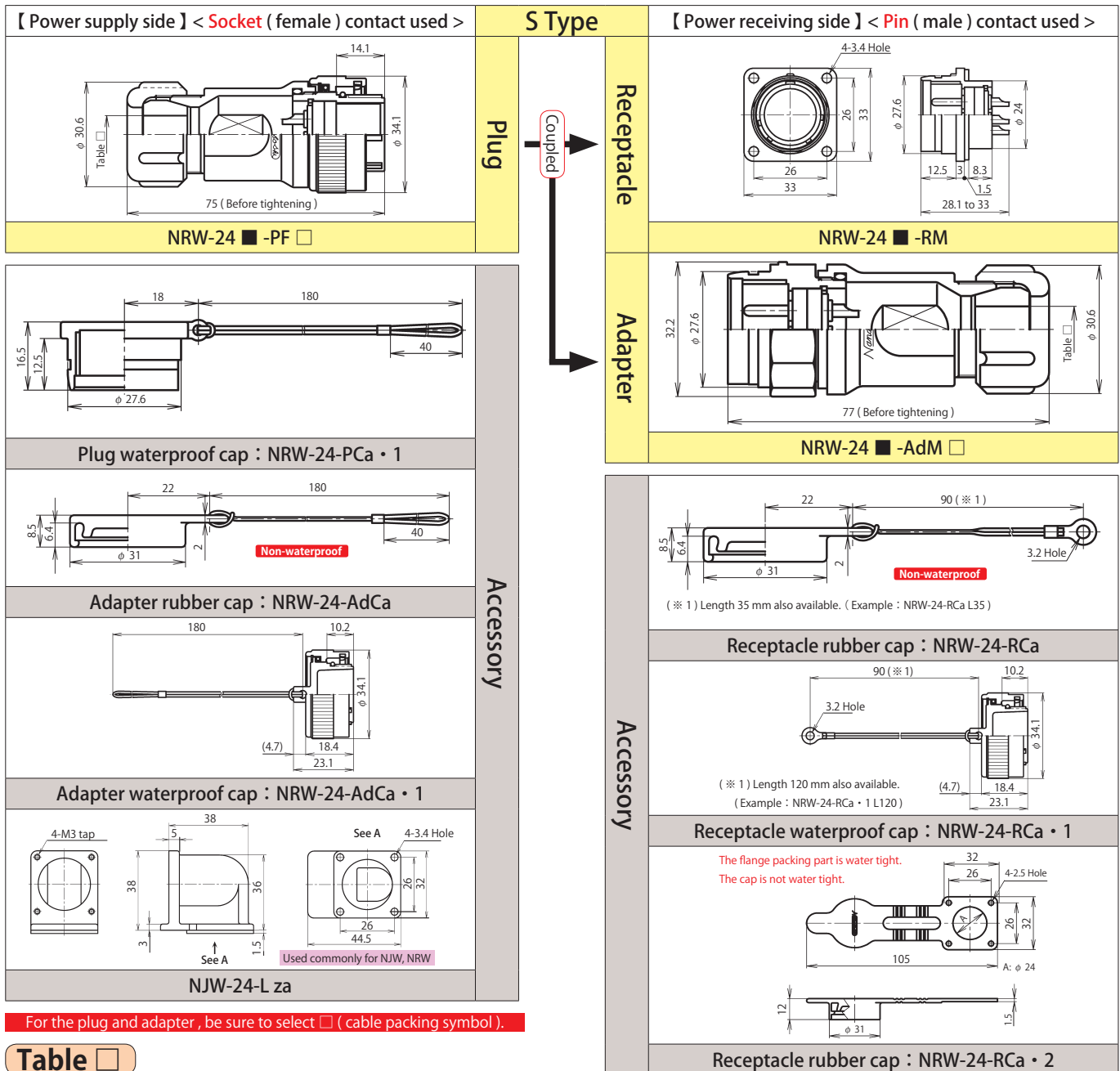
Note-1 : Specified separately. Selection of either "specified as a set of UL and CSA" or "UL, CSA and TÜV specified." For safety standards, see pp. 128 and 130.

NRW

24



# NRW Series Shell Size 24



## Table □

In order to secure the intended waterproof function, a cable to be used for the plug/adapter should have an appropriate specification and structure.

Shell size	Symbol □	Outer diameter of cable used	Normal products	Safety standard
24	8	φ 6.8 to φ 8.0	●	—
	11	φ 9.5 to φ 11.0	●	●
	13	φ 11.1 to φ 13.0	●	●
	15	φ 13.1 to φ 15.0	●	●

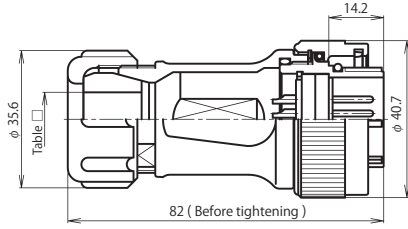
■ indicates the number of contacts. The conductor cross sectional area is less than the following value. However, for safety standard certified products, use a cable having a value shown on pp.128 and 130.

Shell size	Number of Contacts	2	3	4	5	10	14	16	21	24	
24	Contact arrangement <When viewed from the pin (male) contact coupling side>										
	Safety standard (Note-1)	UL·CSA,TÜV				UL·CSA				—	
	Rating (Allowable current for signals)	250V					—				
	Withstand voltage (V r.m.s.)	20A	15A	10A	5A	3pcs=6A [18pcs=3A]	[ 3A ]				
	Wire size (mm <sup>2</sup> )	1,500		1,000		500					
	Remarks	3.5	2	1.25	0.5	3pcs=0.75 18pcs=0.3	0.3				

Note-1 : Specified separately. Selection of either "specified as a set of UL and CSA" or "UL, CSA and TÜV specified." For safety standards, see pp. 128 and 130.

# NRW Series Shell Size 28

**[ Power receiving side ] < Pin ( male ) contact used >**



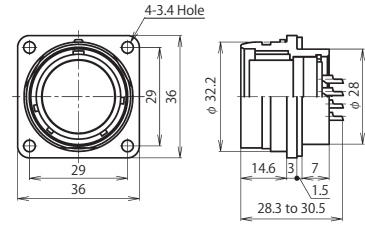
NRW-28 ■ -PM □

Plug



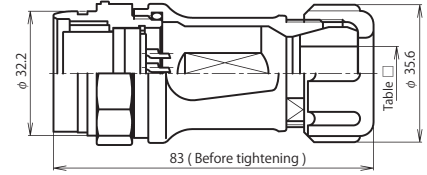
**G Type**

**[ Power supply side ] < Socket ( female ) contact used >**



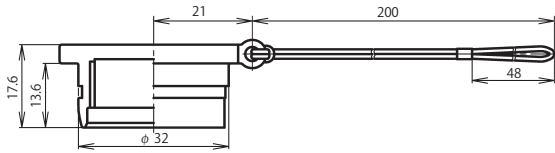
NRW-28 ■ -RF

Receptacle

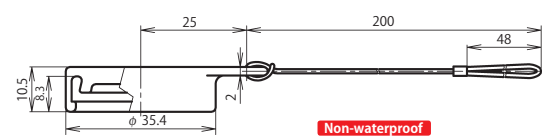


NRW-28 ■ -AdF □

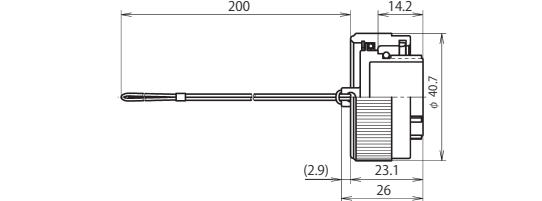
Adapter



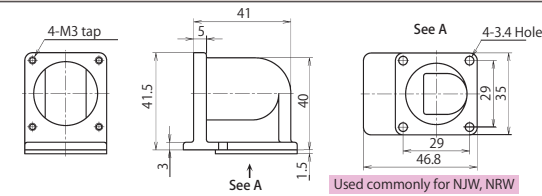
Plug waterproof cap : NRW-28-PCa • 1



Adapter rubber cap : NRW-28-AdCa

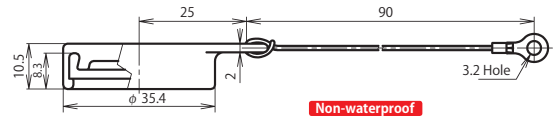


Adapter waterproof cap : NRW-28-AdCa • 1

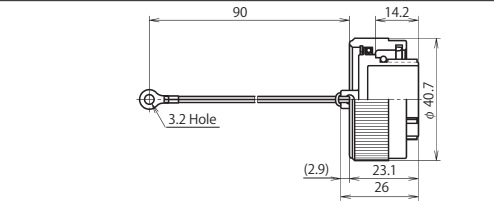


NJW-28-L za

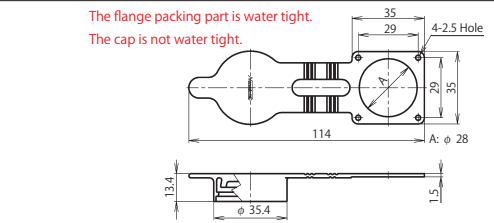
Accessory



Receptacle rubber cap : NRW-28-RCa



Receptacle waterproof cap : NRW-28-RCa • 1



Receptacle rubber cap : NRW-28-RCa • 2

Accessory

For the plug and adapter, be sure to select □ ( cable packing symbol ).

## Table □

In order to secure the intended waterproof function, a cable to be used for the plug/adapter should have an appropriate specification and structure.

Shell size	Symbol □	Outer diameter of cable used	Normal products	Safety standard	Symbol □	Outer diameter of cable used	Normal products	Safety standard
28	10	φ 9.0 to φ 10.9	●	●	16	φ 14.1 to φ 16.0	●	●
	12	φ 11.0 to φ 12.4	●	●	18	φ 16.1 to φ 18.0	●	●
	14	φ 12.5 to φ 14.0	●	●				

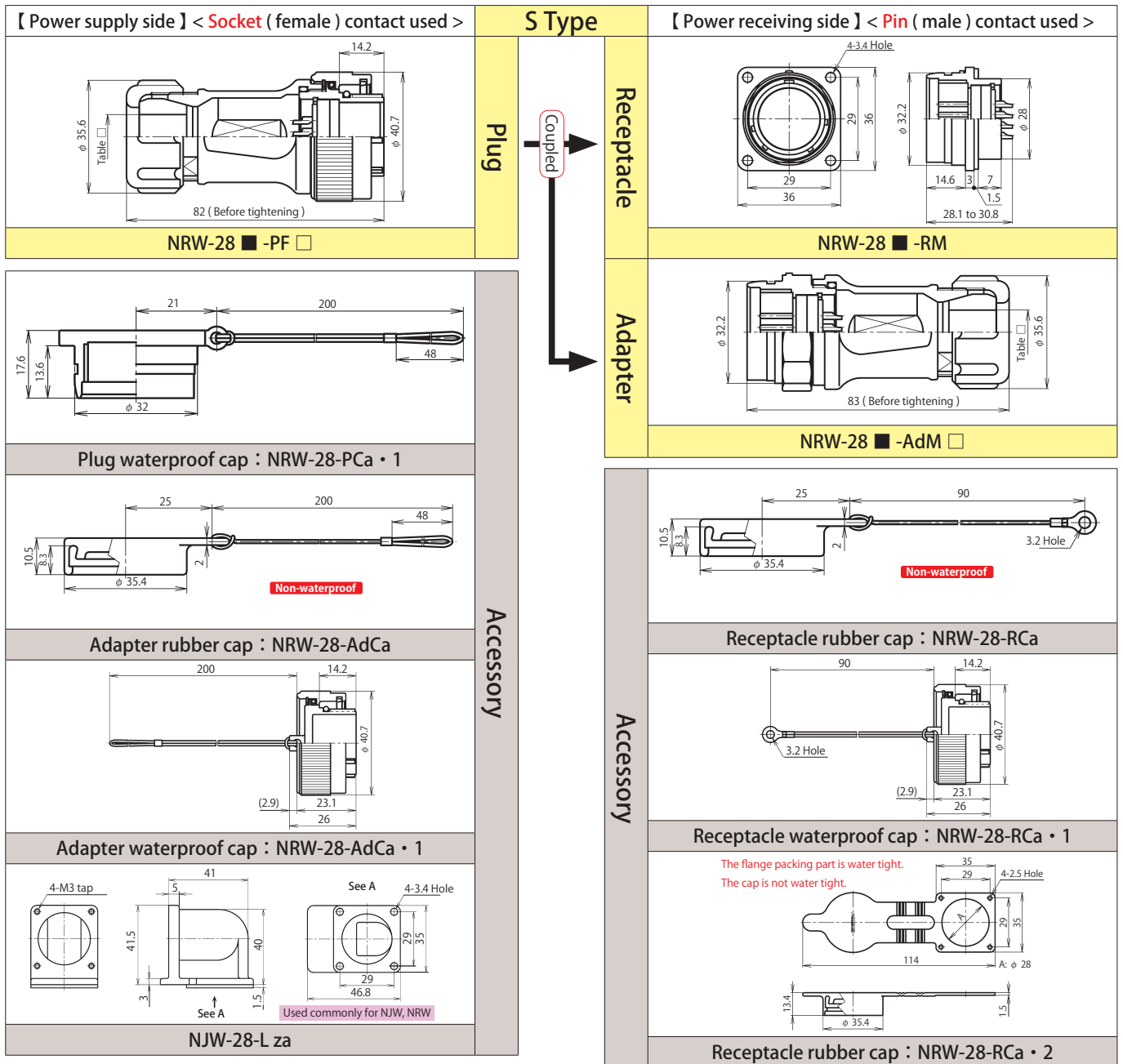
■ indicates the number of contacts.

The conductor cross sectional area is less than the following value. However, for safety standard certified products, use a cable having a value shown on p.128.

Shell size	Number of Contacts	16	24	31	37
28	Contact arrangement <When viewed from the pin (male) contact coupling side>				
	Safety standard (Note-1)	UL • CSA		—	
	Rating ( Allowable current for signals )	250V		—	
	Withstand voltage ( V r.m.s. )	1,000		500	
	Wire size ( mm )	1.25	0.5	3pcs=0.75 28pcs=0.3	0.3
	Remarks	—		For signals	

[ ] : Gold plating contact

Note-1 : Specified separately. "Specified as a set of UL and CSA". For safety standards, see p.128.



NRW

28

For the plug and adapter, be sure to select  (cable packing symbol).

### Table

In order to secure the intended waterproof function, a cable to be used for the plug/adapter should have an appropriate specification and structure.

Shell size	Symbol <input type="checkbox"/>	Outer diameter of cable used	Normal products	Safety standard	Symbol <input type="checkbox"/>	Outer diameter of cable used	Normal products	Safety standard
28	10	φ 9.0 to φ 10.9	●	●	16	φ 14.1 to φ 16.0	●	●
	12	φ 11.0 to φ 12.4	●	●	18	φ 16.1 to φ 18.0	●	●
	14	φ 12.5 to φ 14.0	●	●				

■ indicates the number of contacts.

The conductor cross sectional area is less than the following value. However, for safety standard certified products, use a cable having a value shown on p.128.

Shell size	Number of Contacts	16	24	31	37
28	Contact arrangement <When viewed from the pin (male) contact coupling side>				
	Safety standard (Note-1)	UL·CSA		—	
	Rating (Allowable current for signals)	250V		—	
	Withstand voltage (V r.m.s.)	1,000		500	
	Wire size (mm <sup>2</sup> )	1.25	0.5	3pcs=0.75 28pcs=0.3	0.3
	Remarks	—		For signals	

[ ] : Gold plating contact

Note-1 : Specified separately. "Specified as a set of UL and CSA". For safety standards, see p.128.

# NRW Series Characteristics

Number of contacts

Shell size	Contact	Insulation resistance ( M Ω )			Contact resistance ( m Ω )			Withstand voltage ( V r.m.s. )		
		Normal products	Safety standard		Normal products	Safety standard		Normal products	Safety standard	
			UL • CSA	UL • CSA , TÜV		UL • CSA	UL • CSA , TÜV		UL • CSA	UL • CSA , TÜV
20	2	DC 500V 2,000 min.	—	DC 500V 2,000 min.	3 max.	—	3 max.	1,500	—	1,500
	3									
	4									
	5									
	7	DC 500V 2,000 min.	—	3 max.	—	1,000	—			
	10	DC 500V 1,000 min.						5 max.		
	12									
14	DC 250V 1,000 min.	—	5 max.	—	500	—				
24	2	DC 500V 2,000 min.	—	DC 500V 2,000 min.	3 max.	—	3 max.	1,500	—	1,500
	3									
	4									
	5									
	10	DC 500V 2,000 min.	—	3 max.	—	1,000	—			
	14	DC 500V 1,000 min.						5 max.		
	16									
21	DC 250V 1,000 min.	—	5 max.	—	500	—				
24	1,000 min.	—	5 max.	—	500	—				
28	16	DC 500V 2,000 min.	—	3 max.	—	1,000	—			
	24	DC 500V 1,000 min.						5 max.		
	31	DC 250V 1,000 min.	—	5 max.	—	500	—			
	37	1,000 min.	—	5 max.	—	500	—			

( Waterproof ) No trace of water exposure after being kept at a water pressure of 40 kPa for 24 hours in the coupled state in its normal state of use.



# NEW Series



Waterproof IP-67

Safety standard certified products available

RoHS

Quick lock

## Overview

- Safety standard certified, waterproof connectors based on NRW. Certified by UL • CSA standards also.
- Grounding of prioritized contact structure to make these connectors suitable for use in a wide variety of fields including semiconductor equipment and various outdoor equipment.

## Feature

RoHS	RoHS Directive compliant
Waterproof	Waterproof connector 【 Waterproof function IP-67 when coupled 】
Lock method	Quick lock
Features of mechanism/ material	<ul style="list-style-type: none"> <li>○ Protection circuit structure: Ground contact of sequence structure. ( prioritized contact )</li> <li>○ Shell made of weather-resistant, high-strength plastic.</li> <li>○ Light weight and sturdy.</li> <li>○ Installation in a small space enabled by use of the L za.</li> </ul>
Standards	<ul style="list-style-type: none"> <li>○ Safety standard certified connectors available. ( EN61984 compliant , TÜV certified )</li> <li>○ UL • CSA standard certified connectors available. ( UL : UL1977 CSA : C22.2 No.182.3 )</li> </ul>
Cable termination	Soldering

## Characteristics

↓ Number of contacts

Shell size	Contact	Insulation resistance ( M Ω )	Contact resistance ( m Ω )	Withstand voltage ( V r.m.s. )
20	3	DC 500V 2,000 min.	3 max.	1,500
24	3	DC 500V 2,000 min.	3 max.	1,500
	4			
28	4	DC 500V 2,000 min.	3 max.	1,500
	8			

( Waterproof ) No trace of water exposure after being kept at a water pressure of 40 kPa for 24 hours in the coupled state in its normal state of use.

# NEW Series

## Product No. designation

**NEW - 24 ■ - P F □**

① ② ③ ④ ⑤ ⑥

- ① Series designation
- ② Shell size
- ③ Number of contacts
- ④ Shell shape
- ⑤ Contact shape < Pin ( male ) contact : M , Socket ( female ) contact : F >
- ⑥ Symbol indicating cable packing size. 《 Plug & adapter require symbol to be specified. 》

All connectors are UL • CSA , TÜV certified. Not necessary to specify a standard by a product name. For safety standards, see pp.128 and 130.

## Cable termination : Soldering

## Material and Finish

	Material	Finish
Shell	Synthetic resin	—
Insulator		
Contact	Copper alloy	Silver plating
Packing	Synthetic rubber	—

## Operating temperature range

Shell size	Number of Contacts	Operating temperature range	Upper limit of ambient temperature at rated current ( Note )
20	3	-25°C to +85°C	+80°C
24	3		+74°C
	4		+80°C
28	4		+67°C
	8		+77°C

( Note ) Max.ambient temp. at rated current  
( Based on TÜV certification test results )

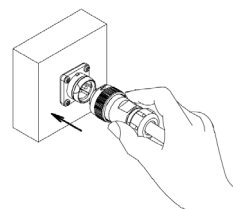


The pin contact type has an **exposed electrode**. If it is used on the [ power supply ] side, it may cause **electric shock** or **short-circuit accidents**. To prevent such accidents, use the socket contact type on the [ power supply ] side and the pin contact type on the [ equipment ] side.

## Insertion

Align the plug and the guide of the mating connector ( receptacle/adaptor ) and push in straight.

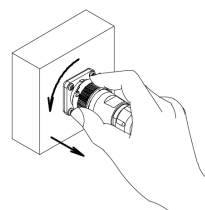
**Caution: When inserting, do not turn the coupling nut.**



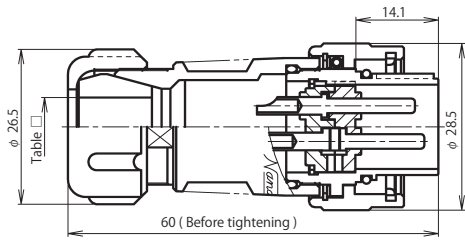
## Extraction

With the coupling nut turned CCW 45 degrees in the arrow direction, extract the connector.

**Caution: When extracting, do not turn the end bell.**



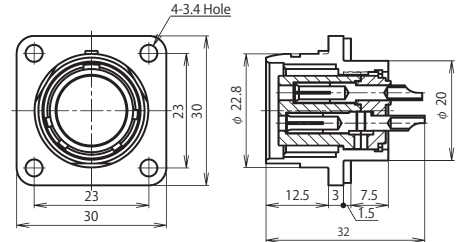
【 Power receiving side 】 < Pin ( male ) contact used >



NEW-20 ■ -PM □

G Type

【 Power supply side 】 < Socket ( female ) contact used >



NEW-20 ■ -RF

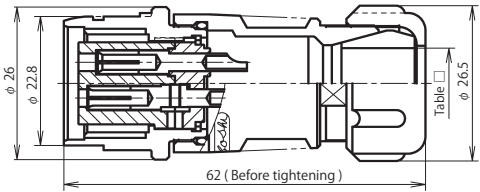
Plug

Receptacle

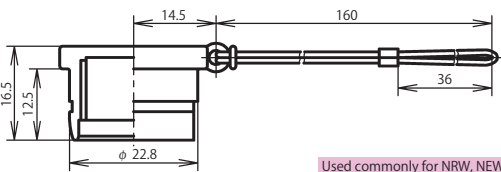


Accessory

Adapter

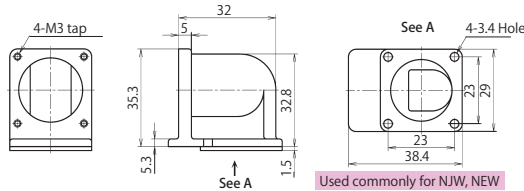


NEW-20 ■ -AdF □



Used commonly for NRW, NEW

Plug waterproof cap : NRW-20-PCa • 1



Used commonly for NJW, NEW

NJW-20-L za

For the plug and adapter, be sure to select □ ( cable packing symbol ).

## Table □

In order to secure the intended waterproof function, a cable to be used for the plug/adapter should have an appropriate specification and structure.

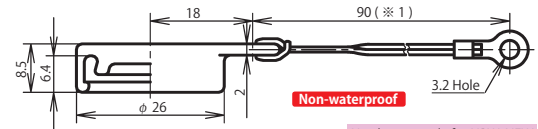
Shell size	Symbol □	Outer diameter of cable used
20	8	φ 7.0 to φ 8.5
	10	φ 8.6 to φ 10.5
	12	φ 10.6 to φ 12.5

■ indicates the number of contacts.

Shell size	Number of Contacts	3
20	Contact arrangement <When viewed from the pin (male) contact coupling side>	
	Safety standard (Note-1)	UL·CSA, TÜV
	Rating	250V 15A
	Withstand voltage (V r.m.s.)	1,500
	Wire size AWG	#14

The cable to use should have a conductor cross sectional area shown in the left-side table.

Note-1 : All connectors are UL · CSA , TÜV certified. Not necessary to specify a standard by a product name. For safety standards, see pp.128 and 130.

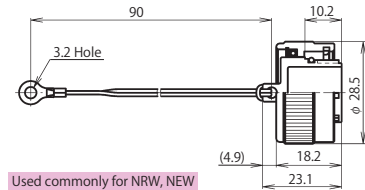


Non-waterproof

Used commonly for NRW, NEW

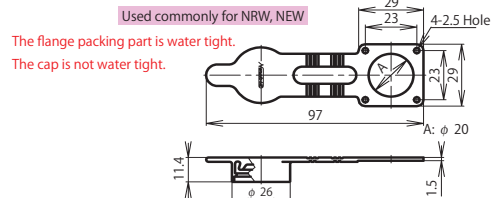
(※ 1) Length 35 mm also available. ( Example : NRW-20-RCa L35 )

Receptacle rubber cap : NRW-20-RCa

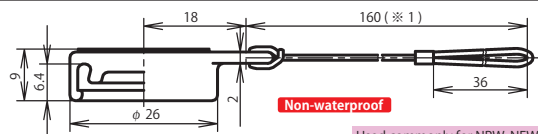


Used commonly for NRW, NEW

Receptacle waterproof cap : NRW-20-RCa • 1



Receptacle rubber cap : NRW-20-RCa • 2

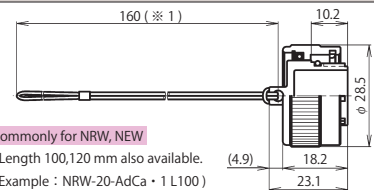


Non-waterproof

Used commonly for NRW, NEW

(※ 1) Length 100,120 mm also available. ( Example : NRW-20-AdCa L100 )

Adapter rubber cap : NRW-20-AdCa

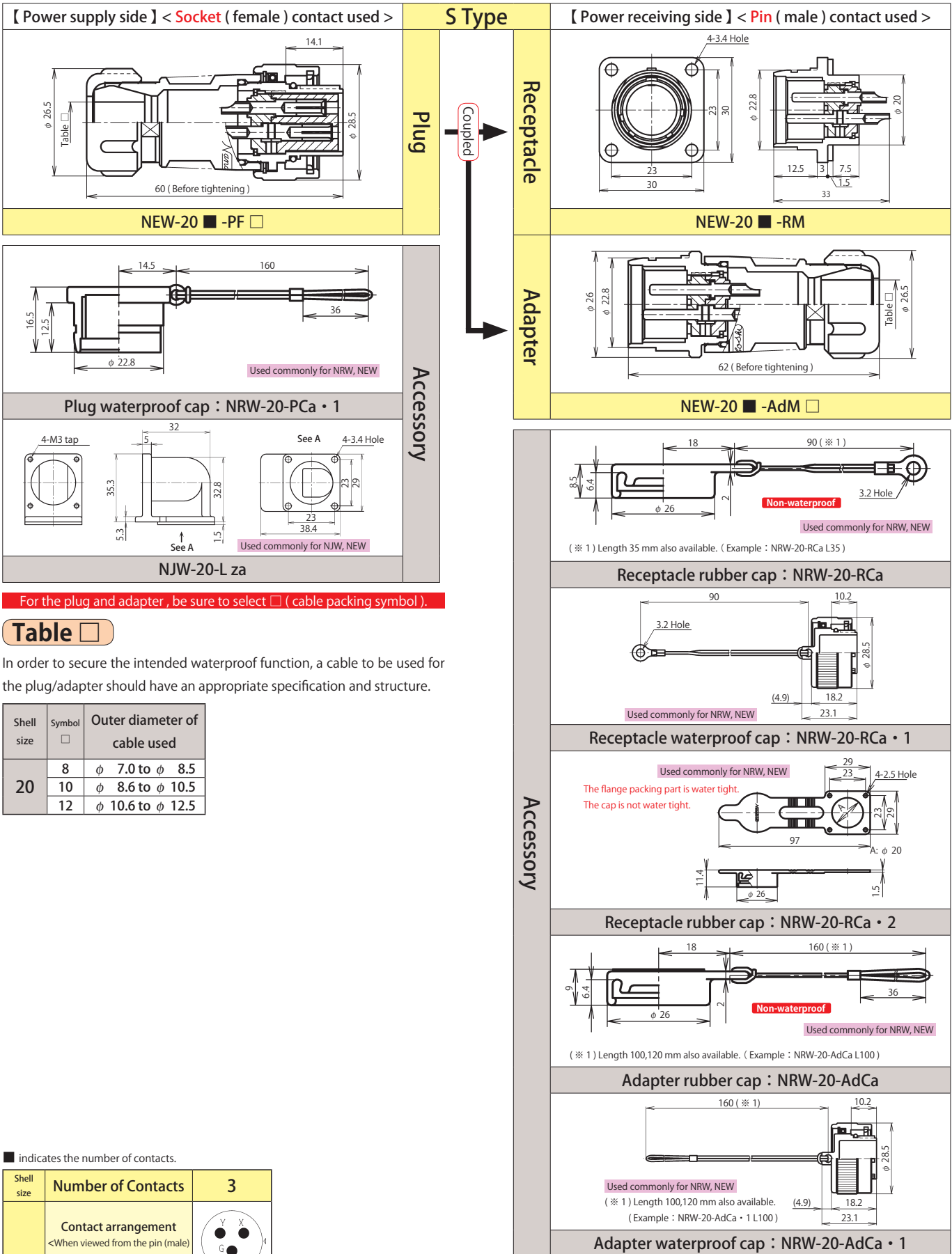


Used commonly for NRW, NEW

(※ 1) Length 100,120 mm also available. ( Example : NRW-20-AdCa • 1 L100 )

Adapter waterproof cap : NRW-20-AdCa • 1





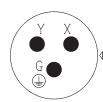
For the plug and adapter, be sure to select □ ( cable packing symbol ).

### Table □

In order to secure the intended waterproof function, a cable to be used for the plug/adapter should have an appropriate specification and structure.

Shell size	Symbol □	Outer diameter of cable used
20	8	φ 7.0 to φ 8.5
	10	φ 8.6 to φ 10.5
	12	φ 10.6 to φ 12.5

■ indicates the number of contacts.

Shell size	Number of Contacts	3
20	Contact arrangement <When viewed from the pin (male) contact coupling side>	
	Safety standard (Note-1)	UL-CSA, TÜV
	Rating	250V 15A
	Withstand voltage (V r.m.s.)	1,500
	Wire size AWG	#14

The cable to use should have a conductor cross sectional area shown in the left-side table.

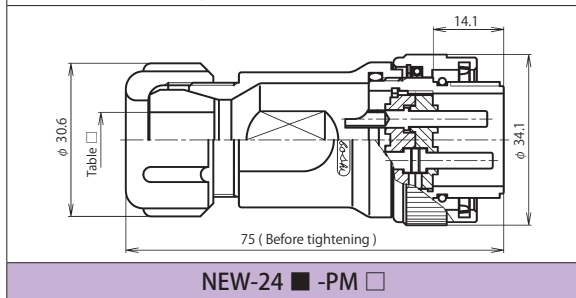
Note-1 : All connectors are UL • CSA, TÜV certified. Not necessary to specify a standard by a product name. For safety standards, see pp.128 and 130.

# NEW Series Shell Size 24

【 Power receiving side 】 < Pin ( male ) contact used >

G Type

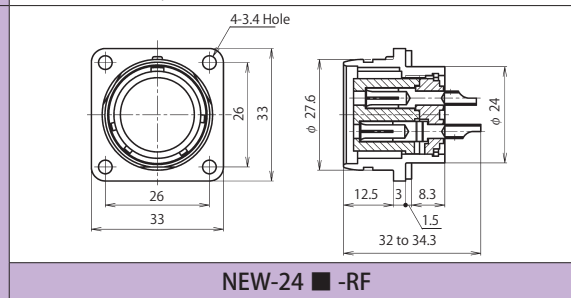
【 Power supply side 】 < Socket ( female ) contact used >



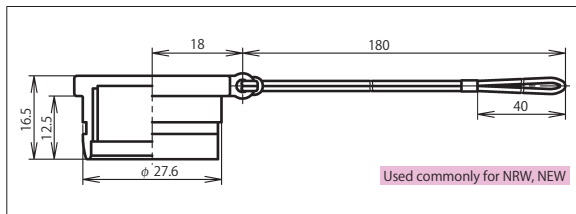
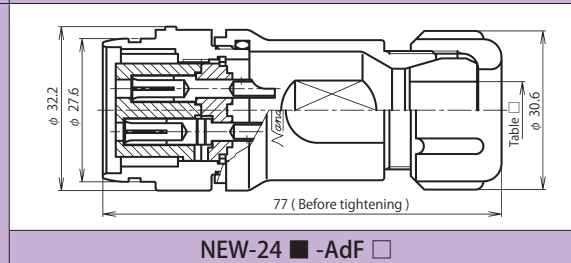
Plug



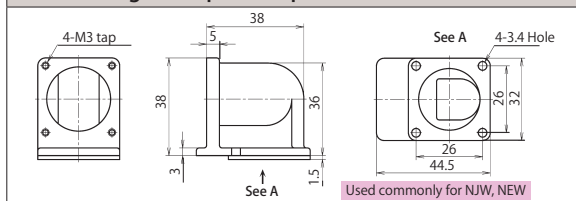
Receptacle



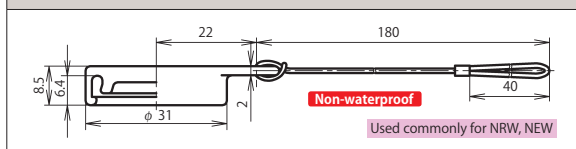
Adapter



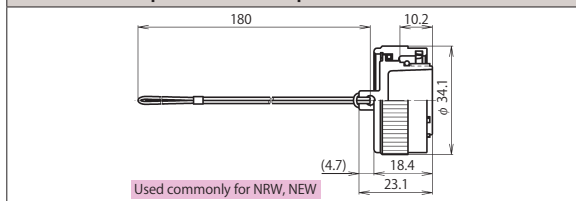
Plug waterproof cap : NRW-24-PCa · 1



NJW-24-L za



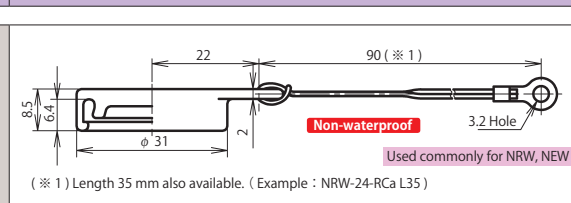
Adapter rubber cap : NRW-24-AdCa



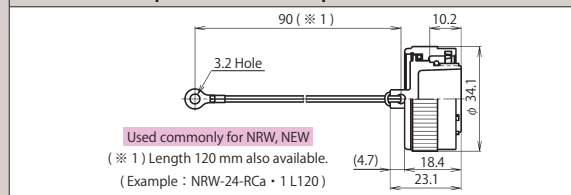
Adapter waterproof cap : NRW-24-AdCa · 1

Accessory

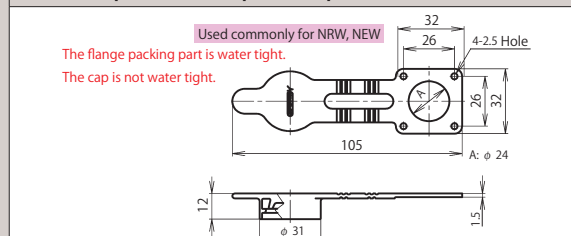
Accessory



Receptacle rubber cap : NRW-24-RCa



Receptacle waterproof cap : NRW-24-RCa · 1



Receptacle rubber cap : NRW-24-RCa · 2

For the plug and adapter, be sure to select □ ( cable packing symbol ).

Table □

In order to secure the intended waterproof function, a cable to be used for the plug/adapter should have an appropriate specification and structure.

Shell size	Symbol	Outer diameter of cable used
24	11	φ 9.5 to φ 11.0
	13	φ 11.1 to φ 13.0
	15	φ 13.1 to φ 15.0

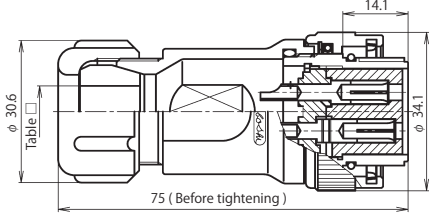
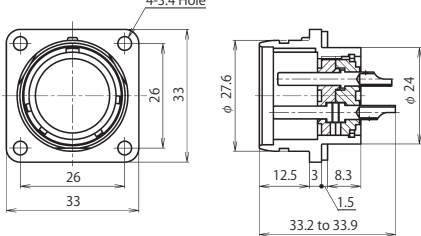
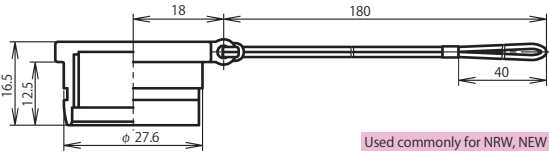
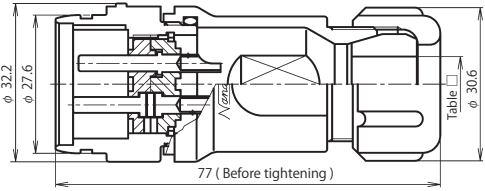
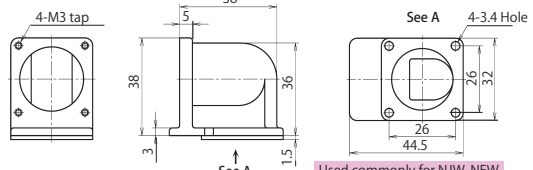
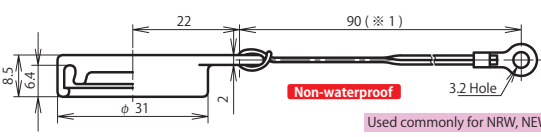
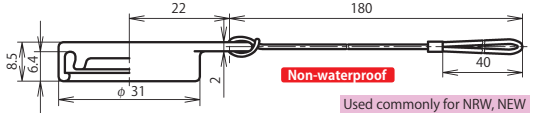
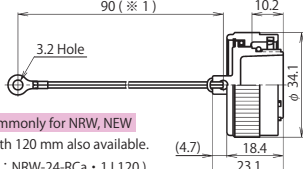
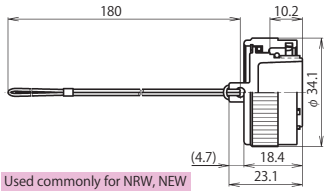
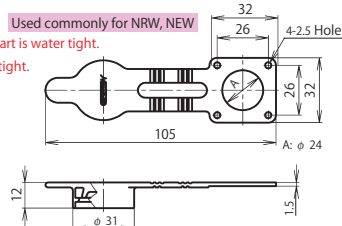
■ indicates the number of contacts.

Shell size	Number of Contacts	3	4
24	Contact arrangement <When viewed from the pin (male) contact coupling side>		
	Safety standard ( Note-1 )	UL · CSA , TÜV	
	Rating	250V 20A	250V 15A
	Withstand voltage ( V r.m.s. )	1,500	
	Wire size AWG	#12	#14

The cable to use should have a conductor cross sectional area shown in the left-side table.

Note-1 : All connectors are UL · CSA , TÜV certified. Not necessary to specify a standard by a product name. For safety standards, see pp.128 and 130.

# NEW Series Shell Size 24

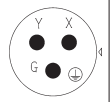

【 Power supply side 】 < Socket ( female ) contact used >	S Type	【 Power receiving side 】 < Pin ( male ) contact used >
 <p><b>NEW-24 ■ -PF □</b></p>	<p>Coupled</p> <p>Receptacle</p> <p>Adapter</p>	 <p><b>NEW-24 ■ -RM</b></p>
 <p>Used commonly for NRW, NEW</p> <p><b>Plug waterproof cap : NRW-24-PCa • 1</b></p>		 <p><b>NEW-24 ■ -AdM □</b></p>
 <p>Used commonly for NJW, NEW</p> <p><b>NJW-24-L za</b></p>	<p>Accessory</p>	 <p>Non-waterproof</p> <p>Used commonly for NRW, NEW</p> <p>(※ 1) Length 35 mm also available. ( Example : NRW-24-RCa L35 )</p> <p><b>Receptacle rubber cap : NRW-24-RCa</b></p>
 <p>Used commonly for NRW, NEW</p> <p><b>Adapter rubber cap : NRW-24-AdCa</b></p>		 <p>Used commonly for NRW, NEW</p> <p>(※ 1) Length 120 mm also available. ( Example : NRW-24-RCa • 1 L120 )</p> <p><b>Receptacle waterproof cap : NRW-24-RCa • 1</b></p>
 <p>Used commonly for NRW, NEW</p> <p><b>Adapter waterproof cap : NRW-24-AdCa • 1</b></p>		<p>Used commonly for NRW, NEW</p> <p>The flange packing part is water tight. The cap is not water tight.</p>  <p><b>Receptacle rubber cap : NRW-24-RCa • 2</b></p>
<p>For the plug and adapter , be sure to select □ ( cable packing symbol ).</p>		

## Table □

In order to secure the intended waterproof function, a cable to be used for the plug/adapter should have an appropriate specification and structure.

Shell size	Symbol	Outer diameter of cable used
24	11	φ 9.5 to φ 11.0
	13	φ 11.1 to φ 13.0
	15	φ 13.1 to φ 15.0

■ indicates the number of contacts.

Shell size	Number of Contacts	3	4
24	Contact arrangement <When viewed from the pin (male) contact coupling side>		
	Safety standard ( Note-1 )	UL · CSA , TÜV	
	Rating	250V 20A	250V 15A
	Withstand voltage ( V r.m.s. )	1,500	
	Wire size AWG	#12	#14

The cable to use should have a conductor cross sectional area shown in the left-side table.

Note-1 : All connectors are UL · CSA , TÜV certified. Not necessary to specify a standard by a product name. For safety standards, see pp.128 and 130.

NEW

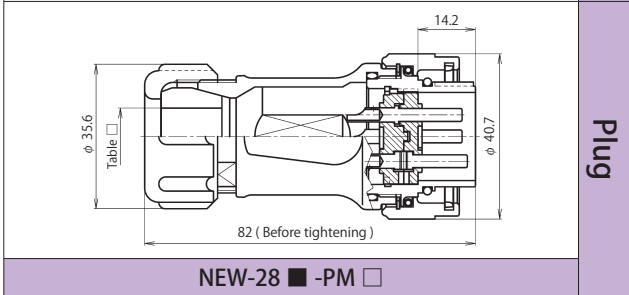
24

# NEW Series Shell Size 28

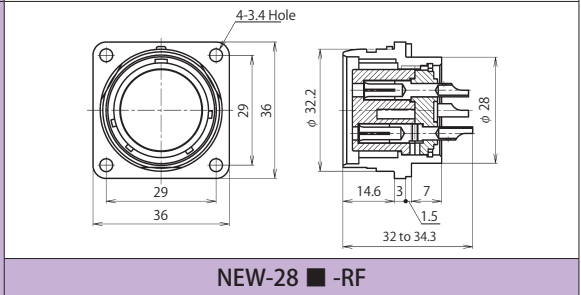
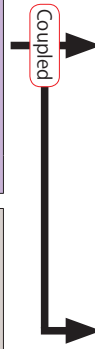
【 Power receiving side 】 < Pin ( male ) contact used >

G Type

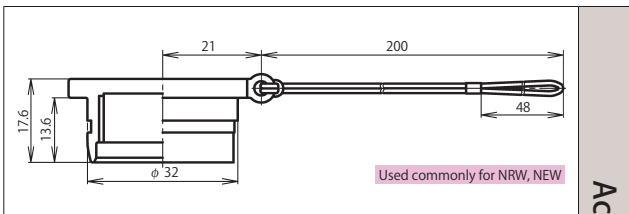
【 Power supply side 】 < Socket ( female ) contact used >



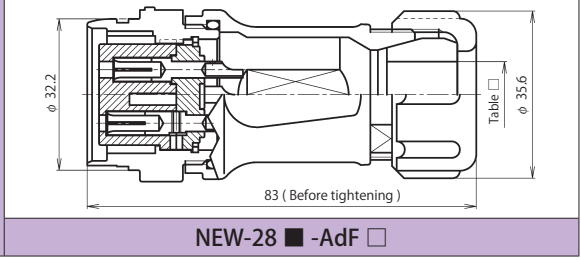
Plug



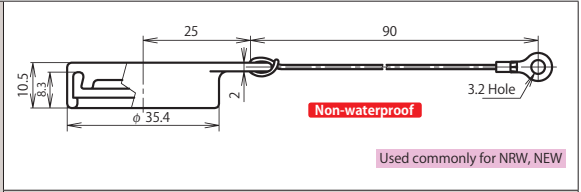
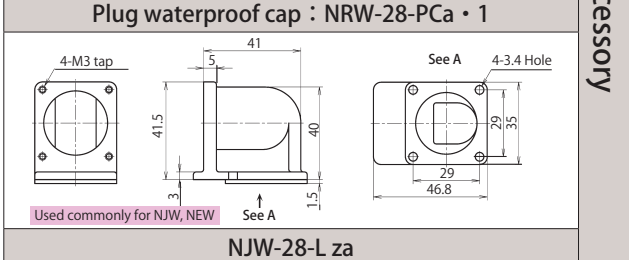
Receptacle



Accessory



Adapter



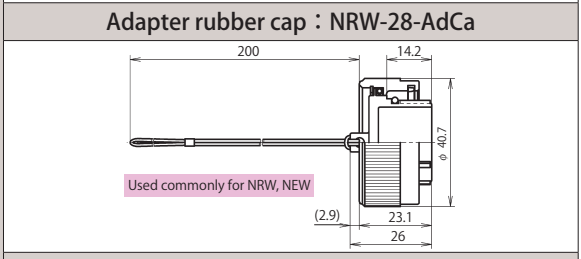
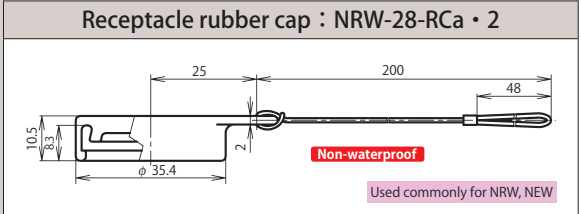
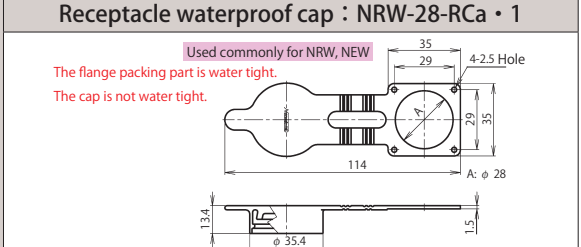
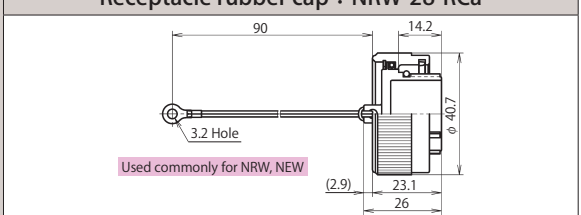
Accessory

For the plug and adapter, be sure to select □ ( cable packing symbol ).

## Table □

In order to secure the intended waterproof function, a cable to be used for the plug/adapter should have an appropriate specification and structure.

Shell size	Symbol □	Outer diameter of cable used
28	10	φ 9.0 to φ 10.9
	12	φ 11.0 to φ 12.4
	14	φ 12.5 to φ 14.0
	16	φ 14.1 to φ 16.0
	18	φ 16.1 to φ 18.0



■ indicates the number of contacts.

Shell size	Number of Contacts	4	8
28	Safety arrangement <When viewed from the pin (male) contact coupling side>		
	Safety standard (Note-1)	UL • CSA , TÜV	
	Rating	250V 20A	250V 15A
	Withstand voltage (V r.m.s.)	1,500	
	Wire size AWG	#12	#14

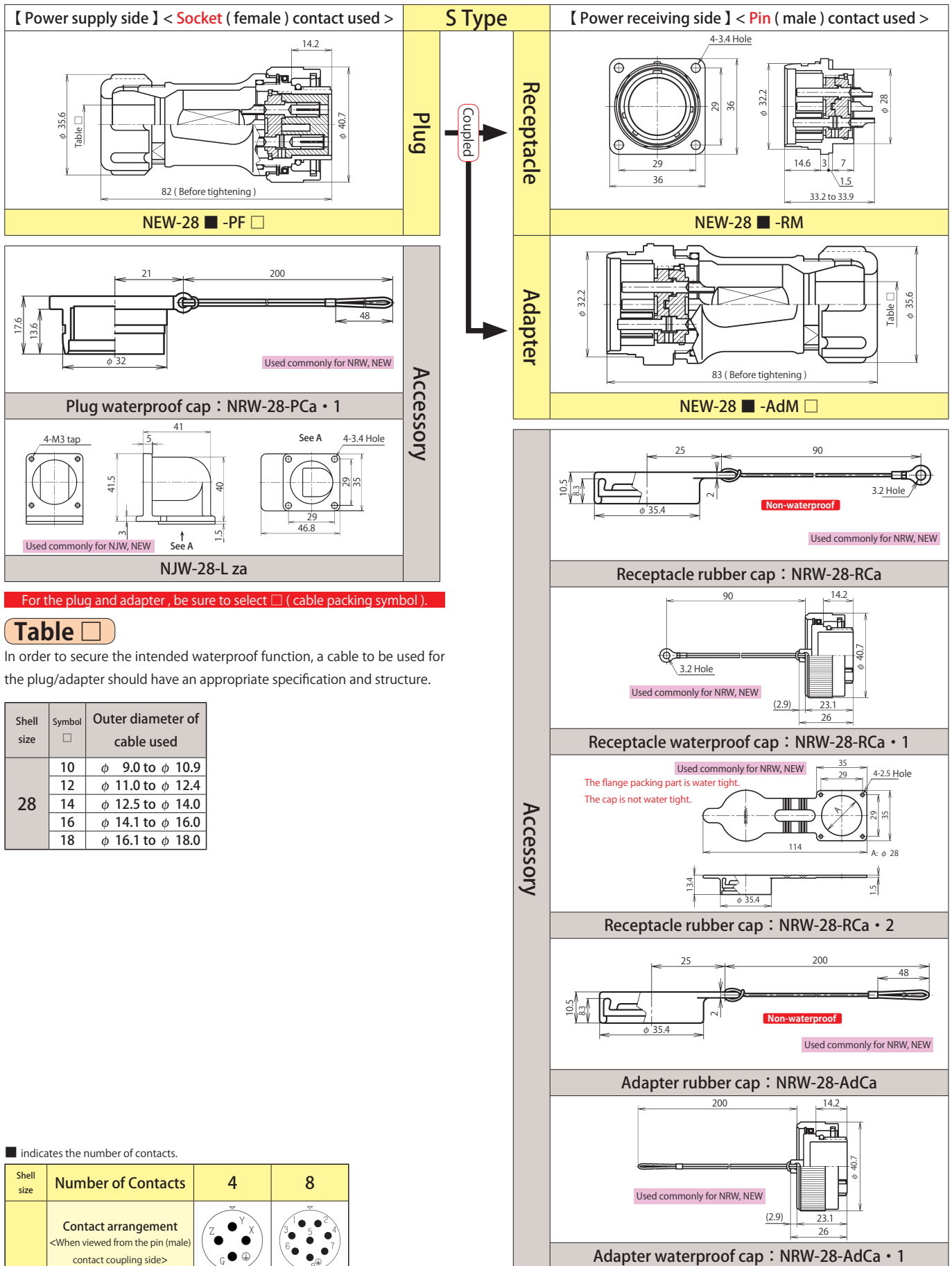
The cable to use should have a conductor cross sectional area shown in the left-side table.

Note-1 : All connectors are UL • CSA , TÜV certified. Not necessary to specify a standard by a product name. For safety standards, see pp.128 and 130.

NEW

28

# NEW Series Shell Size 28



For the plug and adapter, be sure to select  (cable packing symbol).

## Table

In order to secure the intended waterproof function, a cable to be used for the plug/adapter should have an appropriate specification and structure.

Shell size	Symbol <input type="checkbox"/>	Outer diameter of cable used
28	10	φ 9.0 to φ 10.9
	12	φ 11.0 to φ 12.4
	14	φ 12.5 to φ 14.0
	16	φ 14.1 to φ 16.0
	18	φ 16.1 to φ 18.0

■ indicates the number of contacts.

Shell size	Number of Contacts	4	8
28	Contact arrangement <When viewed from the pin (male) contact coupling side>		
	Safety standard (Note-1)	UL · CSA , TÜV	
	Rating	250V 20A	250V 15A
	Withstand voltage (V r.m.s.)	1,500	
	Wire size AWG	#12	#14

The cable to use should have a conductor cross sectional area shown in the left-side table.

Note-1 : All connectors are UL · CSA , TÜV certified. Not necessary to specify a standard by a product name. For safety standards, see pp.128 and 130.

NEW

28

# NT Series



Waterproof equivalent to IP-X6

RoHS

### Overview

- Waterproof and oilproof connectors for machine tools.
- Safety design with ground contact for a wide variety of machines including various molding machines.

### Feature

RoHS	RoHS Directive compliant
Waterproof	Waterproof connector 【 Waterproof function equivalent to IP-X6 when coupled 】
Lock method	Thread lock
Features of mechanism/ material	<ul style="list-style-type: none"> <li>○ Made of aluminum for light weight and robust.</li> <li>○ Use of NBR packing for high oil resistance.</li> <li>○ Safety design with ground contact.</li> </ul>
Cable termination	Soldering

### Characteristics

Shell size	Contact	Insulation resistance ( M Ω )	Contact resistance ( m Ω )	Withstand voltage ( V r.m.s. )
50	4	DC 1,000V 5,000 min.	3 max.	3,000
	10			2,500
	12			
	15			

( Waterproof ) No trace of water exposure after being tested to the protection degree 6 in the coupled state in its normal state of use.



The pin contact type has an **exposed electrode**. If it is used on the [ power supply ] side, it may cause **electric shock** or **short-circuit accidents**. To prevent such accidents, use the socket contact type on the [ power supply ] side and the pin contact type on the [ equipment ] side.

# NT Series

## Product No. designation

**NT - 50** ■ - **PM** □

① ② ③ ④ ⑤ ⑥ ⑦

- ① Series designation
- ② Shell size
- ③ Number of contacts
- ④ Shell shape
- ⑤ Contact shape < pin ( male ) contact : M , socket ( female ) contact : F >
- ⑥ Guide position change symbol ( X , Y , Z ) 《 Required only when changing the guide position 》
- ⑦ Symbol indicating cable packing size. 《 Plug require symbol to be specified. 》

## 《Option》

• When using a plural number of same products at the same time, the guide position can be changed in order to prevent mis-insertion.

( For applicable products, see below. )

Product name example : NT-5012-PF**Z**16

Guide position change symbol ( X, Y, Z ) in the **red character part**.

## Cable termination : Soldering

**Operating temperature range** -40°C to +85°C

## Material and Finish

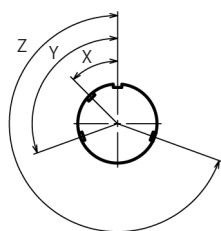
	Material	Finish
Shell	Aluminum alloy	Chrome plating
Insulator	Epoxy resin	—
Contact	Copper alloy	Silver plating
Packing	Oil-resistant rubber	—

## To change the guide position

Number of Contacts	Guide Position Symbol		
	X	Y	Z
4	45°	110°	250°
10			
12			
15			

An image of guide position change

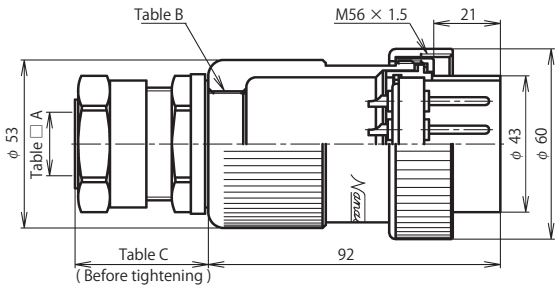
< When viewed from the pin ( male ) contact side coupling face >



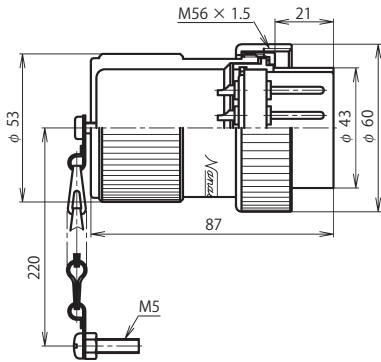
# NT Series Shell Size 50

50

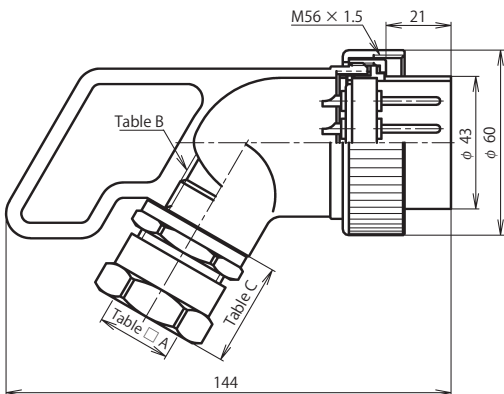
【 Power receiving side 】 < Pin ( male ) contact used >



NT-50 ■ -PM □



NT-50 ■ -SPM □



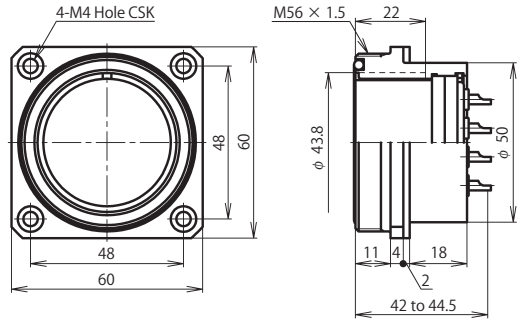
NT-50 ■ -LPM □

G Type

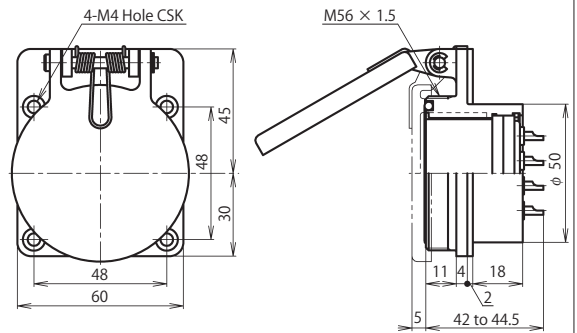
Plug



【 Power supply side 】 < Socket ( female ) contact used >



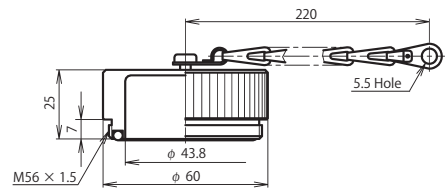
NT-50 ■ -RF



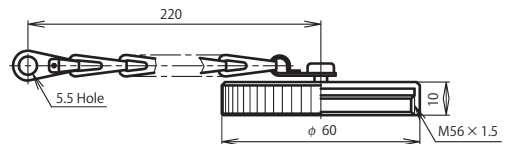
Receptacle with cap: NT-50 ■ -CRF

The water resistance of the CR cap part is equivalent to IPX4.

Accessory



Plug cap : NT-50-PCa



Receptacle cap : NT-50-RCa

For the plug , be sure to select □ ( cable packing symbol ).

## Table □

In order to secure the intended waterproof function, a cable to be used for the plug should have an appropriate specification and structure.

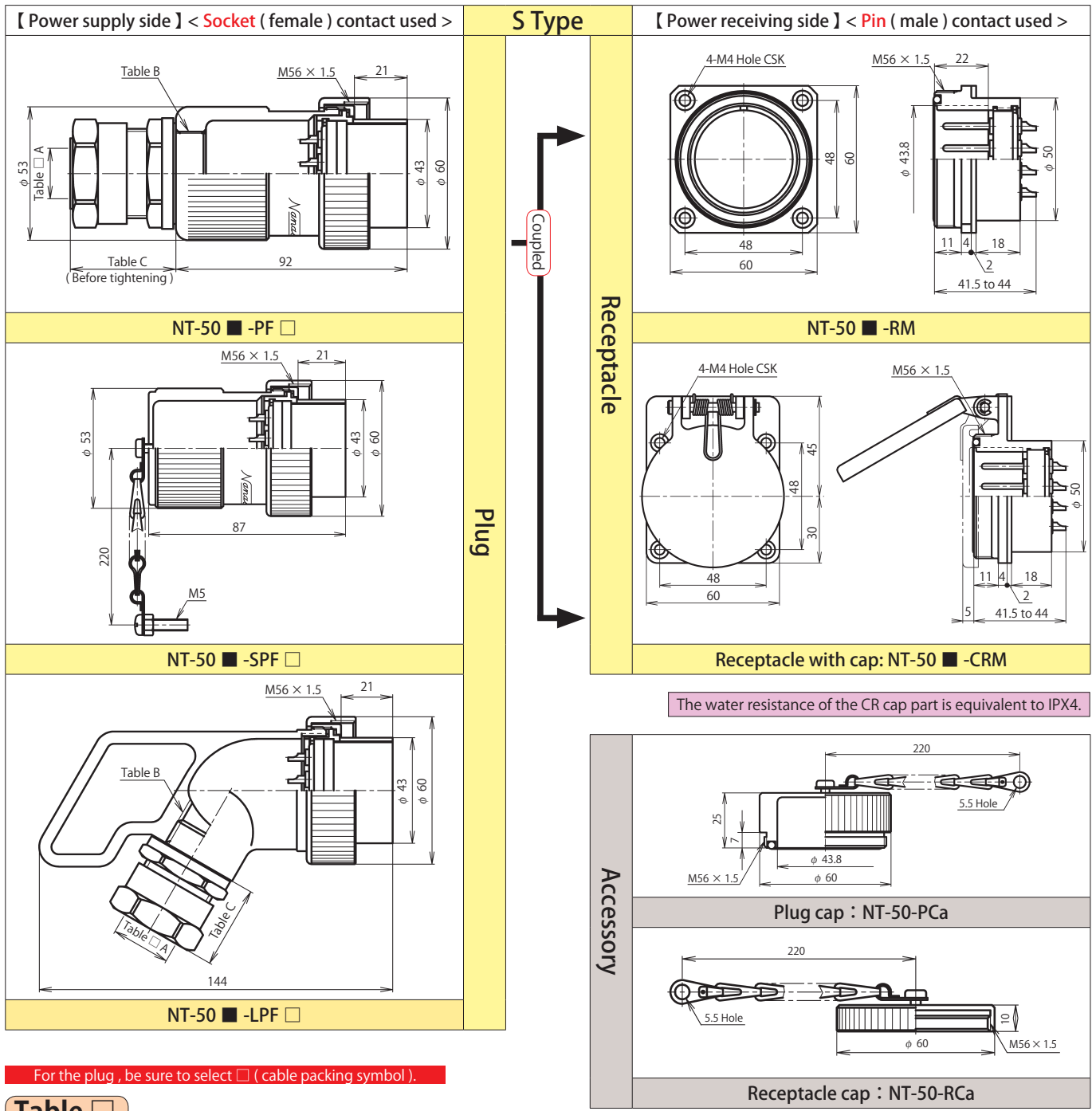
Shell size	Symbol □	A	B	C
50	12	φ 8.0 to φ 12.0	G 1/2	max.32
	16	φ 12.1 to φ 16.0	G 3/4	max.34
	20	φ 16.1 to φ 20.0		max.37
	24	φ 20.1 to φ 24.0	G 1	max.43

■ indicates the number of contacts. The conductor cross sectional area is less than the following value.

Shell size	Number of Contacts	4	10	12	15
50	Contact arrangement <When viewed from the pin (male) contact coupling side>				
	Rating	250V 30A	600V 15A	400V 5A	
	Limit operating voltage (Note-1)	600V		—	
	Withstand voltage (V r.m.s.)	3,000		2,500	
	Wire size (mm <sup>2</sup> )	8	3.5	2	

Note-1: For the limit operating voltage, see p.131.





The water resistance of the CR cap part is equivalent to IPX4.

For the plug, be sure to select □ (cable packing symbol).

### Table □

In order to secure the intended waterproof function, a cable to be used for the plug should have an appropriate specification and structure.

Shell size	Symbol □	A	B	C
50	12	φ 8.0 to φ 12.0	G 1/2	max.32
	16	φ 12.1 to φ 16.0	G 3/4	max.34
	20	φ 16.1 to φ 20.0		max.37
	24	φ 20.1 to φ 24.0	G 1	max.43

■ indicates the number of contacts. The conductor cross sectional area is less than the following value.

Shell size	Number of Contacts	4	10	12	15
50	Contact arrangement <When viewed from the pin (male) contact coupling side>				
	Rating	250V 30A	600V 15A	400V 5A	
	Limit operating voltage (Note-1)	600V		—	
	Withstand voltage (V r.m.s.)	3,000		2,500	
	Wire size (mm <sup>2</sup> )	8	3.5	2	

Note-1: For the limit operating voltage, see p.131.

# Technical Data

## ● A List of Standards Acquired

- UL • CSA certified products ..... 127
- CSA NRTL / C certified products ..... 129
- T Ü V certified products ..... 130

## ● Explanation of Terms

- Shell Size , Rated Voltage , Limit Operating Voltage , Protection Degree ..... 131
- Installation Dimensions ..... 132
- AWG Conversion Table ..... 135
- Parallel Pipe Thread Conversion Table ..... 135

Wire connecting methods, wire stripping dimensions and weight can be found in our website.

### 【 CE Marking 】

The CE Marking applies to finished products and devices to indicate that they comply with the European safety standards. This CE Marking is not applicable to connectors that are electrical & mechanical components.

### 【 EU RoHS 】

The compliance of EU RoHS subject ten substances (mercury , lead , hexavalentchrome , cadmium , PBB ,PBDE , DEHP , BBP , DBP , DIBP ) enacted from July 2019 will correspond from production in July 2018.

### 【 RoHS Directive 】

The RoHS Directive has been established by the EU ( European Union ) with an objective to protect human health and define collection and treatment of electrical and electronic equipment that does not affect environment by unifying laws and regulations concerning the restriction of use of harmful substances in electrical and electronic equipment among EU member countries.

The Chinese version RoHS Directive that has come into force in the People's Republic of China covers the same substances as the EU-RoHS Directive but there are some differences such as the obligation of indication of information about contained substances.

Our RoHS Directive compliant product types are those that are compliant with the EU-RoHS Directive, but not with the Chinese version RoHS Directive.

# A List of Standards Acquired

## UL • CSA certified products 【 Non-waterproof 】



Applicable standard: UL standard UL1977

The UL standard is a safety assurance standard released by the most famous private testing laboratory (UL) in the U.S., that is intended to eliminate the risk of fire and personal accidents caused by electrical equipment. Thus, the UL certified products are considered to be reliable and usable safely by customers. Our file No. is E117868.

Applicable standard: CSA standard C22.2 No.182.3

The CSA standard is a safety standard in Canada applicable to electrical equipment and machinery. In Canada, it is required that electrical machinery and equipment that are connected to the power supply for use conform to the CSA standard.

The U.S. and Canada have concluded a mutual recognition agreement and the UL standard and the CSA standard are treated equivalent. Also the UL standard and the CSA standard are allowed for mutual recognition and the following list of standard certified products includes the products that have been recognized by the UL by use of the CSA standard and the products that have been recognized by the CSA by use of the UL standard. Please note that depending on differences of manners of acquiring certification, markings on products may differ.

Series	size	Number of contacts	PF	RM	AdM	Ad(F)M	PM	RF	AdF	Ad(F)F	Different guide ※			Rated current	Rated voltage	Wire size AWG (mm <sup>2</sup> )	
											X	Y	Z				
NJC	16	3					●					●		10A	125V	#16 (-)	
		5					●					●		5A		#20 (-)	
	20	2, 3					●						—		15A	#14 (-)	
		4, 5					●						—		10A	#16 (-)	
		7					●					●	—		10A	#16 (-)	
		10					●						●		5A	#20 (-)	
		12					●						—		5A	#20 (-)	
		24	2, 3				●						—		20A	#12 (-)	
	24	4, 5					●						—		15A	#14 (-)	
		10					●						●		10A	#16 (-)	
		14					●						—		5A	#20 (-)	
		16					●						●		5A	#20 (-)	
	28	16					●						●		10A	#16 (-)	
		24					●						●		5A	#20 (-)	
	32	3, 4,					●						—		30A	#10 (5.5,6)	
		8, 10, 12					●						—		10A	#14 (2)	
NR	20	2, 3				●						—		15A	250V	#14 (-)	
		4, 5, 7				●						—		10A		#16 (-)	
		10				●						●		5A		#20 (-)	
		12				●						—		5A		#20 (-)	
	24	2, 3					●						—			20A	#12 (3.5)
		4, 5					●						—			15A	#14 (2)
		10					●						●			10A	#16 (1.25)
		14, 16					●						●			5A	#20 (0.5)
NET	20	3				●						—		15A	#14 (2)		
		4				●						—		20A	#12 (3.5)		
	24	3				●						—		15A	#14 (2)		
		4				●						—		20A	#12 (3.5)		
	28	4				●						—		15A	#14 (2)		
32	3, 4				●						—		30A	#10 (5.5,6)			

※ "Different guide" column: The symbol ● indicates that products of different guide position are available.  
The products other than the products of shapes shown in the table are not covered by the standards.

# A List of Standards Acquired

UL • CSA certified products 【 Waterproof 】



Series	size	Number of contacts	PF	RM	AdM	Ad(F)M	PM	RF	AdF	Ad(F)F	Different guide ※			Applicable Cable OD Symbol				Rated current	Rated voltage	Wire size AWG (mil)
											X	Y	Z							
NJW	16	3					●					●	9	11	—		10A	125V	#16 (-)	
		5					●					●			5A	#20 (-)				
	20	2, 3					●					—	8	10	12	—		15A		#14 (-)
		4, 5, 7					●				—	10A				#16 (-)				
		10					●				●	5A				#20 (-)				
		12					●				—									
	24	2, 3					●					—	11	13	15	—		20A		#12 (-)
		4, 5					●				—	15A				#14 (-)				
		10					●				—	10A				#16 (-)				
		14, 16					●				—	5A				#20 (-)				
	28	16					●					—	14	16	18	—		10A		#16 (-)
		24					●				—	5A				#20 (-)				
	32	3, 4,					●					—	16	20	—		30A		#10 (5.5,6)	
		8, 10, 12					●				—	10A			#14 (2)					
NRW	20	2, 3	●	—			●		—		—	8	10	12	—		15A	250V	#14 (-)	
		4, 5, 7	●	—			●		—		—				10A	#16 (-)				
		10	●	—			●		—	●	5A				#20 (-)					
		12	●	—			●		—	—										
	24	2, 3	●	—			●		—		—	11	13	15	—		20A		#12 (-)	
		4, 5	●	—			●		—	—	15A				#14 (-)					
		10	●	—			●		—	—	10A				#16 (-)					
		14, 16	●	—			●		—	—	5A				#20 (-)					
	28	16	●	—			●		—	●	10	12	14	16	18	—		10A		#16 (-)
		24	●	—			●		—	●						5A	#20 (-)			
NAW	20	2, 3					●				—	6	8	10	12	—		15A		#14 (-)
		4, 5					●			—	10A					#16 (-)				
		7					●			●	—					5A	#20 (-)			
		10, 12					●			●										
NEW	20	3	●	—			●		—		—	8	10	12	—		15A		#14 (2)	
		4	●	—			●		—	—	20A				#12 (3.5)					
	24	3	●	—			●		—		—	11	13	15	—		15A		#14 (2)	
		4	●	—			●		—	—	20A				#12 (3.5)					
28	4	●	—			●		—		—	10	12	14	16	18	—		15A		#14 (2)
	8	●	—			●		—	—											

※ "Different guide" column: The symbol ● indicates that products of different guide position are available.  
 The products other than the products of shapes shown in the table are not covered by the standards.

# A List of Standards Acquired

CSA NRTL/C



Applicable standard: CSA standard C22.2 No.182.3 , UL1977

Products that have been certified by the CSA as products that conform to the standards in both of Canada and U.S.

Series	size	Number of contacts	P	R	Ad	Ad(F)	GP □	PM	RF	AdF	GPM □	Rated current	Rated voltage	Wire size AWG		
														S Type	G Type	
NCS	25	6	●			—		●			—	10A (S Type) , 5A (G Type)	265V	#14	#16	
		7	●			—		●			—				#14	
	30	3	●			—		●			—	15A			#16	
		8	●			—		●			—	10A (S Type) , 5A (G Type)			#16	
	40	8		●						—		20A			#10	—
		12		●						—		3pcs-10A , 9pcs-5A			3pcs-#14 , 9pcs-#16	
		16		●						—		3pcs-10A , 13pcs-5A	3pcs-#14 , 13pcs-#16			
		20		●						—		5A	#16			
	44	8							●			20A	—	#10		
		12							●			3pcs-10A , 9pcs-5A		3pcs-#14 , 9pcs-#16		
		16							●			3pcs-10A , 13pcs-5A		3pcs-#14 , 13pcs-#16		
		20							●			5A		#16		
	50	15		●						—		15A	#12	—		
		25		●			—	●				4pcs-15A , 21pcs-5A	4pcs-#12 , 21pcs-#14			
	54	15							●			15A	—	#12		
		25							●			4pcs-15A , 21pcs-5A		4pcs-#12 , 21pcs-#14		
	NWPC	60	30 , 40	●								—	5A	#14	—	

Series	size	Number of contacts	PF	RM	AdM	Ad(F)M	PM	RF	AdF	Ad(F)F	Different guide ※			Applicable Cable OD Symbol					Rated current	Rated voltage	Wire size AWG (mm)
											X	Y	Z								
NAW	16	3					●					●	5	7	8	9	11	10A	125V	#16	
		5					●				●	5A						#20			
	24	2, 3						●					—	8	11	13	15	—	20A	250V	#12
		4, 5					●				—	15A	#14								
		10					●				●	10A	#16								
		14, 16					●				●	5A	#20								

※ "Different guide" column: The symbol ● indicates that products of different guide position are available.  
 The products other than the products of shapes shown in the table are not covered by the standards.

# A List of Standards Acquired

## TÜV certified products



Applicable standard: European standard EN 61984

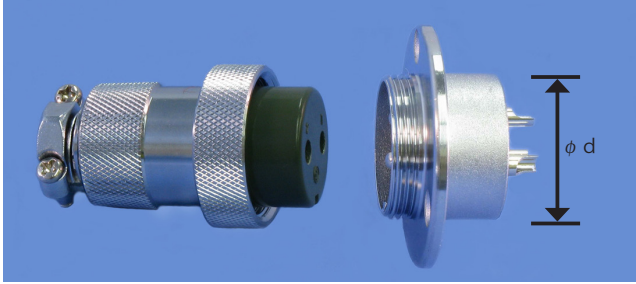
Products certified by TÜV Rheinland as the products that conform to European standard EN61984 that is applicable to multi-pole connectors for industrial application.

Series	size	Number of contacts	PF	RM	AdM	Ad(F)M	PM	RF	AdF	Ad(F)F	Applicable Cable OD Symbol				Rated current	Rated voltage	Wire size AWG (mm)
NJC	20	2, 3					●				—				15A	250V	#14 (-)
		4					●				—				10A		#16 (-)
	24	2, 3					●				—				20A		#12 (-)
		4, 5					●				—				15A		#14 (-)
32	3, 4					●				—				30A	#10 (5.5,6)		
NR	20	2, 3					●				—				15A		#14 (-)
		4					●				—				10A		#16 (-)
	24	2, 3					●				—				20A		#12 (-)
		4, 5					●				—				15A	#14 (-)	
NET	20	3					●				—				15A	#14 (2)	
		3					●				—				20A	#12 (3.5)	
	24	4					●				—				15A	#14 (2)	
		4					●				—				20A	#12 (3.5)	
	32	3, 4					●				—				30A	#10 (5.5,6)	
NRW	20	2, 3	●			—		●		—	8	10	12	—	15A	#14 (-)	
		4, 5	●			—		●		—	8	10	12	—	10A	#16 (-)	
	24	2, 3	●			—		●		—	11	13	15	—	20A	#12 (-)	
		4, 5	●			—		●		—	11	13	15	—	15A	#14 (-)	
NEW	20	3	●			—		●		—	8	10	12	—	15A	#14 (2)	
		3	●			—		●		—	11	13	15	—	20A	#12 (3.5)	
	24	4	●			—		●		—	11	13	15	—	15A	#14 (2)	
		4	●			—		●		—	10	12	14	16	18	20A	#12 (3.5)
	28	8	●			—		●		—	10	12	14	16	18	15A	#14 (2)

# Explanation of Terms

• Shell size

We use the outer diameter (  $\phi d$  [ mm ] ) of the panel inserting part of the receptacle to indicate the shell size.



Example : NCS-25 ( Shell size )  
 $\phi d$

• "Rated voltage" "Limit operating voltage"

The "rated voltage" is the voltage defined by the technical standards in the Electrical Appliances and Materials Safety Act in order to eliminate variation in performance by manufacturers and the "limit operating voltage" is the voltage that indicates the performance that can be exhibited by the products of Nanaboshi Electric Mfg.

Both of them are continuously usable voltages and we show the same value for both of AC and DC.

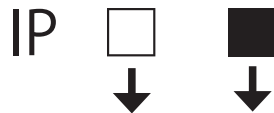
• Protection degree( JIS C 0920 , EN / IEC 60529 )

The degree of protection against the entry of foreign solid objects such as dust and dirt and the ingress of water, which is verified by standardized testing methods. This protection degree is designated by the form of "IP □ ■ ". A figure of degree of protection against the entry of foreign solid objects is shown in □ and a figure of degree of protection against the ingress of water is shown in ■ .

If there is no need of specification, an alphabet "X" is used.

Example: IP67, IPX7

Tests are applicable only to assigned degrees and the products of degree 7 do not necessarily satisfy the tests of degree 6 or below.



First characteristic digit		
IP	Protection of electrical equipment	Protection of persons
0	Entry of foreign solid objects ( No protection )	Access to hazardous parts ( No protection )
1	Diameter $\geq$ 50mm	Back of hand
2	Diameter $\geq$ 12.5mm	Finger
3	Diameter $\geq$ 2.5mm	Tool
4	Diameter $\geq$ 1.0mm	Wire
5*	Dust protected	Wire
6	Dust tight	Wire

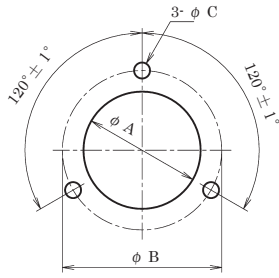
★ Category 1: Test with the inside under negative pressure.  
Category 2: Test with the inside not under negative pressure.

Second characteristic digit	
IP	Protection of electrical equipment
	Harmful ingress of water
0	( No protection )
1	Vertically falling
2	Falling ( at an degree of 15° )
3	Spraying
4	Splashing
5	Jetting
6	Powerful water jets
7	Temporary immersion ( Watertight )
8	Continuous immersion ( Submersible )

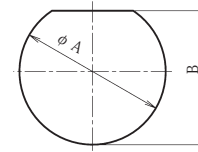
※ The testing method of numeral 8 is agreed between the parties concerned.

# Installation Dimensions

## Round flange receptacle ( 3 holes )



## NJW-16-RBM,RBF

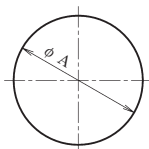


Series	Shell size	Shape	$\phi A^{+0.1}_0$	$B^{+0.1}_0$	Panel thickness
NJW	16	RBM RBF	16	15.4	2 to 5

Recommended tightening torque of mounting nut : 1.5 N · m

Series	Shell size	Shape	$\phi A^{+1}_0$	$\phi B$	$\phi C$
NCS	14	R	15	23 ± 0.2	3.4 hole or M3 tap
	16	R	17	24 ± 0.2	
	25		26	34 ± 0.2	
	30	RF	31	38 ± 0.2	
	40	R	41	50 ± 0.2	
	44	RF	45	56 ± 0.2	
NWPC	50	R	51	60 ± 0.2	
	14	R	15	26 ± 0.2	
	16	R	17	30 ± 0.2	
	25		26	36 ± 0.2	
	30	RF	31	41 ± 0.2	
	40	R	41	52 ± 0.2	
44	RF	45	60 ± 0.2		

## NCS-25 · 30-RBP



Series	Shell size	Shape	$\phi A^{+0.5}_0$	Panel thickness
NCS	25	RBP	28.5	2 to 3
	30		33.5	2 to 4

Recommended tightening torque of mounting nut : 2 N · m

### Precautions for installing the waterproof type

In order to secure water tightness, the installation part must be treated as below:

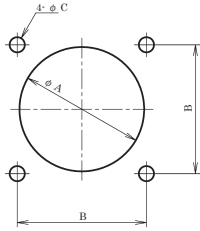
1. When the panel thickness is 10 mm or more, tap the panel directly and ensure that the thread hole does not penetrate from the installation panel surface to the back.
2. When the installation panel is thinner, either use a commercially available seal washer or mold the mounting nut part with resin.

※ The inside of the panel should be water tight.

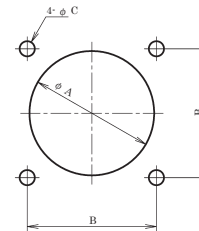


# Installation Dimensions

Square flange receptacle ( 4 holes )



NJC, NR Series receptacle Installed from back of panel



( mm )

( mm )

Series	Shell size	Shape	$\phi A^{+1}_0$	B	$\phi C$
NCS	25	R Kaku RF Kaku	26	$24 \pm 0.2$	3.4 hole or M3 tap
	50	R	51	$48 \pm 0.3$	5.5 hole or M5 tap
		R Kaku			
	54	RF	55	$52 \pm 0.3$	
	60	R	61	$56 \pm 0.3$	
RF					
NWPC	50	R	51	$50 \pm 0.3$	
	54	RF	55	$52 \pm 0.3$	
	60	R	61	$56 \pm 0.3$	
		RF			
NJC, NJW, NAW	16	RM RF L za	17	$20 \pm 0.2$	3.4 hole or M3 tap
NJC, NR, NET NJW, NRW NAW, NEW	20		21	$23 \pm 0.2$	
	24		25	$26 \pm 0.2$	
NJC, NET, NJW NRW, NEW	28		29	$29 \pm 0.2$	
NJC, NET, NJW	32		33	$36 \pm 0.2$	
NT	50	RM,RF CRM,CRF	51	$48 \pm 0.2$	M4 tap

Series	Shell size	Shape	$\phi A^{+1}_0$	B	$\phi C$	Panel thickness
NJC	16	RM RF	19	$20 \pm 0.2$	3.4 hole	2 to 3
	20		23	$23 \pm 0.2$		
	24		27	$26 \pm 0.2$		
	28		31	$29 \pm 0.2$	4.5 hole	2 to 6.5
	32		38	$36 \pm 0.2$		
NR	20	RM	23	$23 \pm 0.2$	3.4 hole	2 to 3
	24	RF	27	$26 \pm 0.2$		

**Precautions for installing the waterproof type**

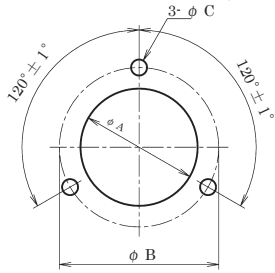
In order to secure water tightness, the installation part must be treated as below:

1. When the panel thickness is 10 mm or more, tap the panel directly and ensure that the thread hole does not penetrate from the installation panel surface to the back.
2. When the installation panel is thinner, either use a commercially available seal washer or mold the mounting nut part with resin.

※ The inside of the panel should be water tight.

# Installation Dimensions

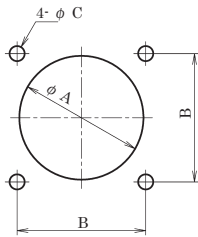
Adapter with round flange ( 3 holes )



( mm )

Series	Shell size	Shape	$\phi A^{+1}_0$	$\phi B$	$\phi C$
NCS	16	Ad(F)	22.5	$28 \pm 0.2$	3.4 hole or M3 tap
	25	AdF(F)	29	$35 \pm 0.2$	
	30		34	$42 \pm 0.2$	
	40	Ad(F)	47	$56 \pm 0.2$	
NWPC	16	Ad(F)	26	$32 \pm 0.2$	
	25	AdF(F)	33	$39 \pm 0.2$	
	30		38	$44 \pm 0.2$	

Adapter with square flange ( 4 holes )



( mm )

Series	Shell size	Shape	$\phi A^{+1}_0$	B	$\phi C$
NJC , NJW , NAW	16	Ad(F)M Ad(F)F GAd(F)M GAd(F)F Ad(F)MK Ad(F)FK	19.5	$20 \pm 0.2$	3.4 hole or M3 tap
NJC , NR , NET , NJW , NAW	20		24	$23 \pm 0.2$	
NJC , NR , NET , NJW , NAW	24		27	$26 \pm 0.2$	
NJC , NET , NJW	28		32	$29 \pm 0.2$	
NJC , NET , NJW	32		40	$36 \pm 0.2$	4.5 hole or M4 tap

In the case of NJW and NAW Series, insert a connector through a panel hole with the clamp nut removed.  
( Other than Size 32 )

# AWG Conversion Table

AWG	Wire Diameter (mm)	Wire size (mm <sup>2</sup> )	AWG	Wire Diameter (mm)	Wire size (mm <sup>2</sup> )
4/0	11.684	107.2	24	0.5106	0.2047
3/0	10.404	85.03	25	0.4547	0.1623
2/0	9.266	67.42	26	0.4049	0.1288
0	8.250	53.49	27	0.3606	0.1021
1	7.348	42.41	28	0.3211	0.08097
2	6.544	33.63	29	0.2859	0.06425
3	5.827	26.66	30	0.2546	0.05097
4	5.189	21.15	31	0.2268	0.04039
5	4.621	16.77	32	0.2019	0.03203
6	4.115	13.30	33	0.1798	0.02540
7	3.665	10.55	34	0.1601	0.02014
8	3.264	8.368	35	0.1426	0.01597
9	2.906	6.632	36	0.1270	0.01267
10	2.588	5.262	37	0.1131	0.01005
11	2.305	4.172	38	0.1007	0.007968
12	2.053	3.309	39	0.08969	0.006319
13	1.828	2.624	40	0.07987	0.005012
14	1.628	2.081	41	0.07113	0.003973
15	1.450	1.650	42	0.06334	0.003151
16	1.291	1.309	43	0.05641	0.002499
17	1.150	1.037	44	0.05023	0.001982
18	1.024	0.8226	45	0.04473	0.001572
19	0.9116	0.6529	46	0.03984	0.001246
20	0.8118	0.5174	47	0.03547	0.0009884
21	0.7229	0.4105	48	0.03159	0.0007838
22	0.6438	0.3256	49	0.02813	0.0006216
23	0.5733	0.2581	50	0.02505	0.0004929

# Parallel Pipe Thread Conversion Table

JIS B 0202 ( Parallel pipe thread )		↔	JIS C 8305 ( Rigid steel conduits )
Specified in ISO	Not specified in ISO		Thick steel conduit pipe thread
G <sup>1</sup> / <sub>2</sub>	PF <sup>1</sup> / <sub>2</sub>		CTG16
G <sup>3</sup> / <sub>4</sub>	PF <sup>3</sup> / <sub>4</sub>		CTG22
G1	PF1		CTG28
G1 <sup>1</sup> / <sub>4</sub>	PF1 <sup>1</sup> / <sub>4</sub>		CTG36
G1 <sup>1</sup> / <sub>2</sub>	PF1 <sup>1</sup> / <sub>2</sub>		CTG42

For designation of pipe threads, we use the expression of parallel pipe thread "G(PF)". For the thick steel conduit pipe thread ( CTG ) also, the above table can be used without problem.



**NANABOSHI ELECTRIC MFG CO., LTD**

株式会社 七星科学研究所

HEAD OFFICE /

1-49-15, Kamitakada, Nakano-ku, Tokyo, 164-0002, Japan

FACTORY /

71, Kashiwabara, Sayama-city, Saitama, 350-1335, Japan

### Contact

Sales /

phone : +81-3-3319-0552 facsimile : +81-3-3386-4611

Products /

email : cn-eigyo@nanabosi.co.jp

Operation dept. /

phone : +81-4-2969-5700 facsimile : +81-4-2969-5388

All rights reserved.

Copying, duplicating, and any digitize are prohibited.

<https://www.nanabosi.co.jp>



2018.05 / 1